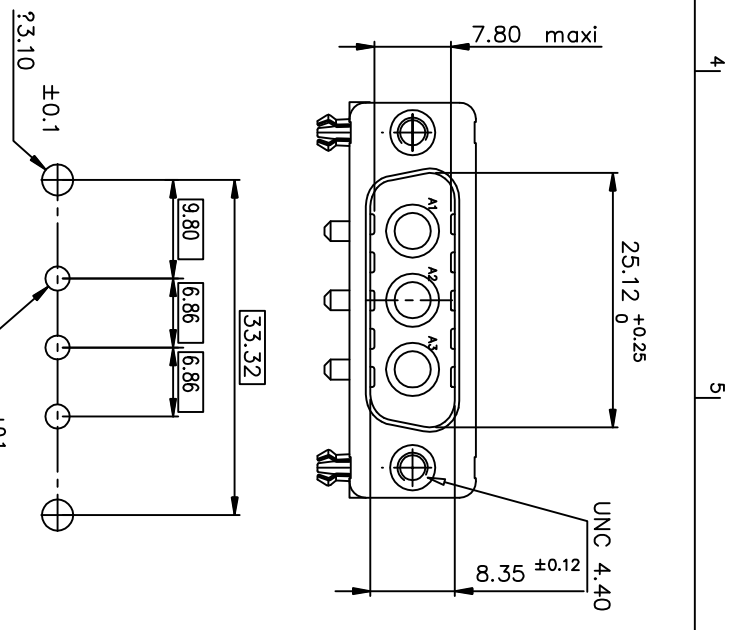
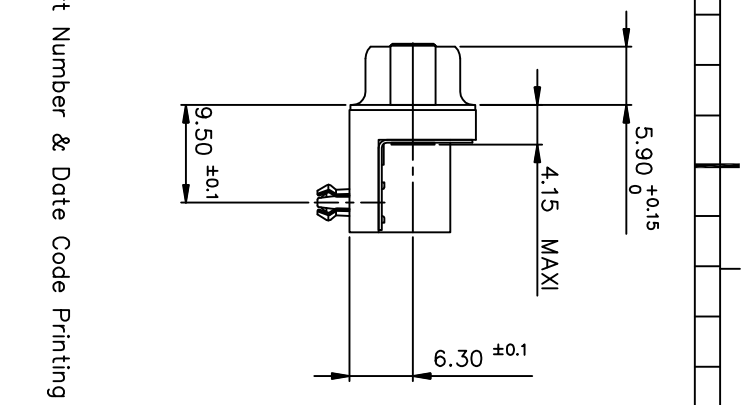
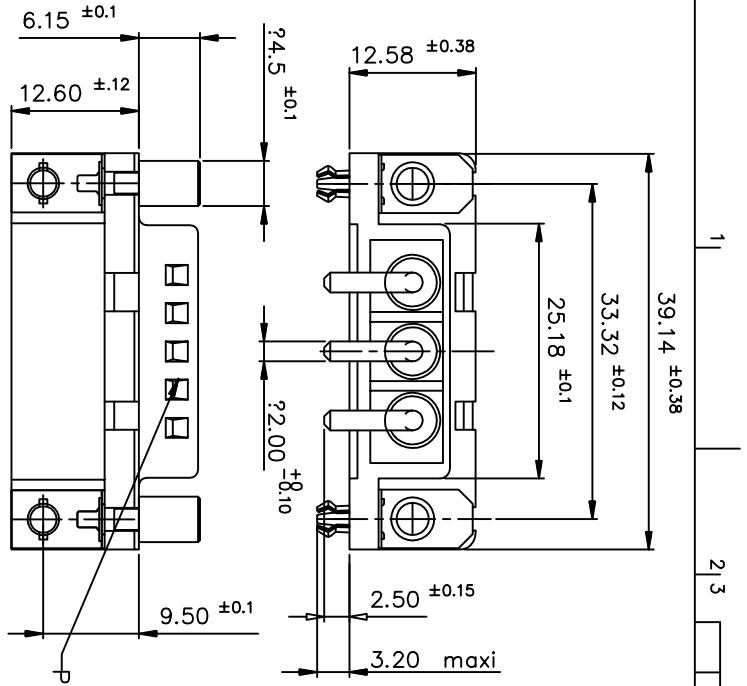




FCIconnect.com

Copyright FCI



REQUIREMENTS

Technical characteristics:

- Shell: steel tin plated
- Insulators: self-extinguishing thermoplastic, ULclass94V0
- Contacts: brass, 0.76» Au +2» Ni mini on mating end and 2» SnPb +1.27 Ni mini on termination end
- Grounding brackets: brass, tin plated
- Female screwlock: brass, tin plated
- Harpoon: brass, tin plated

Electrical characteristics:

- max. current rating: 30A per contact
- Test voltage: 1000V
- Rated voltage: 300V
- Contact resistance: ?5m?
- Shell resistance: ?5m?
- Insulation resistance: ?5000M?
- Climatic characteristics:
- Operating temperature range: -55?c +125?c
- Dimensions:
- in accordance with MIL-C-24308

Part Number & Date Code Printing

PC card drilling dimensions

(thickness 1.60mm)

D3W3P36AGV08**
LF FOR LEAD FREE

FOR ROHS DETAILS REFER DWG.NO: C01-8646-0000

mat'l. code		surface		tolerance		projection		product family	
lfr	ecn no	dr	date	ISO 1302	ISO 406 ISO 1101	ISO 1101	MM	D-SUB	
E	106-0124	JS	2005-07-27			0.x±0.1			
F	106-0074	SK	2006-06-08			0.xxx±0.1			
		O.x±.1		0.xxx±0.1		scale			
		dr JOHN SLEEBA 1994-07-06							
		enpr GEORGE VJ 1994-07-06							
		chr GEORGE VJ 2005-07-27							
		dppd KVSJ 2005-07-27							
sheet	revision	F							
index	sheet	1							
		41							
		51							
		6							
		5							
		4							
		3							
		2							
		1							
		D							



title
SUB DELTA D3W3 WITH POWER CONTACTS
right angle - UNC4-40 -harpoon

product family
D-SUB

dwg no
C01-8646-0246

sheet 1 of 1

size
A3

type
Product Customer Drawing