



# CD54AC245/3A CD54ACT245/3A

Octal-Bus Transceiver  
Three-State, Non-Inverting

June 1997

## Description

The CD54AC245/3A and CD54ACT245/3A are octal-bus transceivers that utilize the Harris Advanced CMOS Logic technology. They are non-inverting three-state bidirectional transceiver-buffers intended for two-way transmission from "A" bus to "B" bus or "B" bus to "A" bus. The logic level present on the direction input (DIR) determines the data direction. When the output enable input ( $\overline{OE}$ ) is HIGH, the outputs are in the high-impedance state.)

The CD54AC245/3A and CD54ACT245/3A are supplied in 20 lead dual-in-line ceramic packages (F suffix).

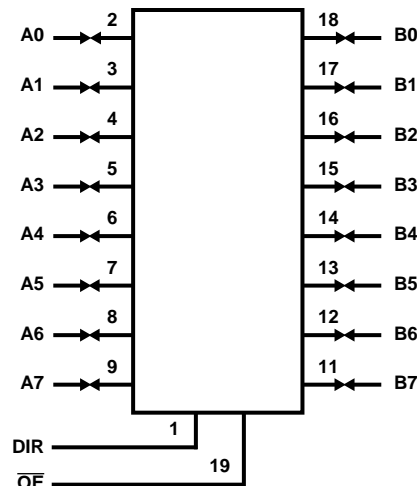
ACT INPUT LOAD TABLE

INPUT	UNIT LOAD (NOTE 1)
A <sub>n</sub> , B <sub>n</sub>	0.83
$\overline{OE}$	0.64
DIR	0.15

NOTE:

1. Unit load is  $\Delta I_{CC}$  limit specified in DC Electrical Specifications Table, e.g., 2.4mA Max at +25°C.

## Functional Diagram



## Absolute Maximum Ratings

DC Supply Voltage,  $V_{CC}$  ..... -0.5V to +6V  
 DC Input Diode Current,  $I_{IK}$   
 For  $V_I < -0.5V$  or  $V_I > V_{CC} + 0.5V$  .....  $\pm 20mA$   
 DC Output Diode Current,  $I_{OK}$   
 For  $V_O < -0.5V$  or  $V_O > V_{CC} + 0.5V$  .....  $\pm 50mA$   
 DC Output Source or Sink Current, Per Output Pin,  $I_O$   
 For  $V_O > -0.5V$  or  $V_O < V_{CC} + 0.5V$  .....  $\pm 50mA$   
 DC  $V_{CC}$  or GND Current,  $I_{CC}$  or  $I_{GND}$   
 For Up to 4 Outputs Per Device, Add  $\pm 25mA$  For Each  
 Additional Output .....  $\pm 100mA$

Power Dissipation Per Package,  $P_D$   
 $T_A = -55^\circ C$  to  $+100^\circ C$  (Package F) ..... 500mW  
 $T_A = +100^\circ C$  to  $+125^\circ C$  (Package F) ..... Derate Linearly at  
 8mW/ $^\circ C$  to 300mW  
 Operating Temperature Range,  $T_A$   
 Package Type F .....  $-55^\circ C$  to  $+125^\circ C$   
 Storage Temperature,  $T_{STG}$  .....  $-65^\circ C$  to  $+150^\circ C$   
 Lead Temperature (During Soldering)  
 At Distance 1/16in.  $\pm$  1/32in. (1.59mm  $\pm$  0.79mm)  
 From Case For 10s Max .....  $+265^\circ C$   
 Unit Inserted Into a PC Board (Min Thickness 1/16in., 1.59mm)  
 With Solder Contacting Lead Tips Only .....  $+300^\circ C$

CAUTION: Stresses above those listed in "Absolute Maximum Ratings" may cause permanent damage to the device. This is a stress only rating and operation of the device at these or any other conditions above those indicated in the operational sections of this specification is not implied.

## Recommended Operating Conditions

Supply Voltage Range,  $V_{CC}$   
 Unless Otherwise Specified, All Voltages Referenced to GND  
 $T_A$  = Full Package Temperature Range  
 CD54AC Types ..... 1.5V to 5.5V  
 CD54ACT Types ..... 4.5V to 5.5V  
 DC Input or Output Voltage,  $V_I$ ,  $V_O$  ..... 0V to  $V_{CC}$

Operating Temperature,  $T_A$  .....  $-55^\circ C$  to  $+125^\circ C$   
 Input Rise and Fall Slew Rate,  $dt/dv$   
 at 1.5V to 3V (AC Types) ..... 0ns/V to 50ns/V  
 at 3.6V to 5.5V (AC Types) ..... 0ns/V to 20ns/V  
 at 4.5V to 5.5V (AC Types) ..... 0ns/V to 10ns/V