

AK4291/..KD-3.5-PEBBLE GREY

1- to n-poles



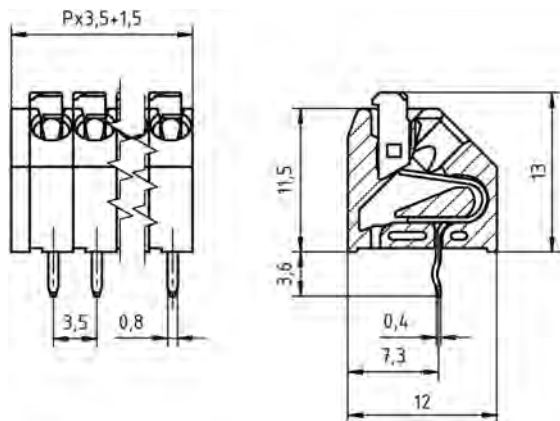
Technical Data

Wire Sizes		Insulating Material	
Solid min	0.08 mm ²	Material	PA 6.6
solid max	1.5 mm ²	Flammability Class	UL 94 V-0
Stranded (flexible) min	0.14 mm ²	Temperatures	
Stranded (flexible) max	1.0 mm ²	Operating Temperature	-30 °C - 105 °C
Stranded with Ferrule min	0.14 mm ²	Wave Soldering Process	
Stranded with Ferrule max	0.5 mm ²	Soldering Temperature, recommended	265 °C
Dimensions		Peak Soldering Time, recommended	3-4 s
Stripped Length	9.0 mm	Reflow Process	
PCB Hole Diameter	1.0 mm	Soldering Temperature, recommended	-
Materials		Peak Soldering Time, recommended	-
Contact Tag	Copper Alloy		

Colours

	PEBBLE GREY, RAL7032
	ORANGE, RAL2011
	BLUE, RAL5015
	LIGHT GREEN, similar RAL 6018

Colours according to RAL, there may be variations on colour due to production conditions. Special colours on request.



Order Data (Spacing 3.5 mm)

Poles	Width (mm)	Article Designation	Article Number	PU
2	8.50	AK4291/2KD-3.5-PEBBLE GREY	54291020001F	200
3	12.00	AK4291/3KD-3.5-PEBBLE GREY	54291030001F	200
4	15.50	AK4291/4KD-3.5-PEBBLE GREY	54291040001F	200
5	19.00	AK4291/5KD-3.5-PEBBLE GREY	54291050001E	100
6	22.50	AK4291/6KD-3.5-PEBBLE GREY	54291060001E	100
7	26.00	AK4291/7KD-3.5-PEBBLE GREY	54291070001E	100
8	29.50	AK4291/8KD-3.5-PEBBLE GREY	54291080001D	50
9	33.00	AK4291/9KD-3.5-PEBBLE GREY	54291090001D	50
10	36.50	AK4291/10KD-3.5-PEBBLE GREY	54291100001D	50
11	40.00	AK4291/11KD-3.5-PEBBLE GREY	54291110001D	50
12	43.50	AK4291/12KD-3.5-PEBBLE GREY	54291120001D	50

Accessories

Figure	Designation	Article Number
	Bridge, 2-pole, insulated, BRI/2-7.0/7.62-L7.5-LIGHT GREY	50000000018
	Bridge, 2-pole, BR/2-5.0/5.08-L7.5	50000000015
	Bridge, 3-pole, BR/3-3.5/3.81-L7.5	50000000016
	Spacer SPC-AK4291-PEBBLE GREY	54291000000

Ratings



Usegroup	B	C	D		
Rated Voltage	300 V	-	-	130 V	
Rated Current	6 A	-	-	3 A	
Rated Wire Size				min	max
	solid	AWG 22-16	-	0.2 mm ²	0.75 mm ²
	stranded	-	-		
Test Voltage	1.6 kV	-	-	2.0 kV	