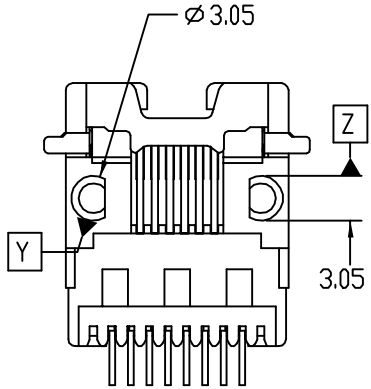
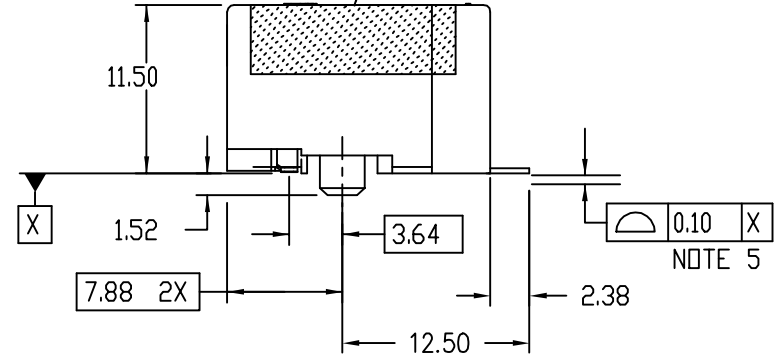
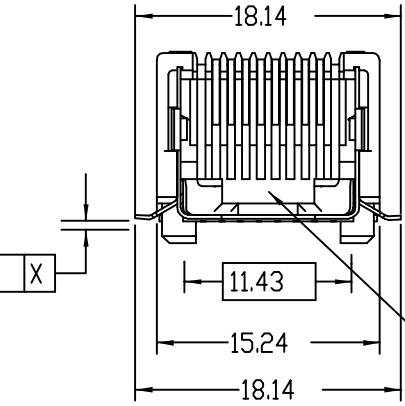
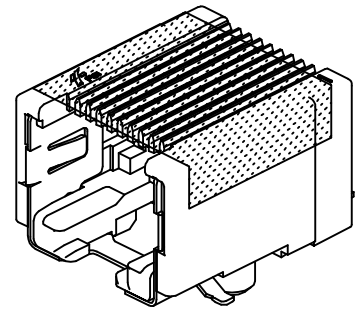
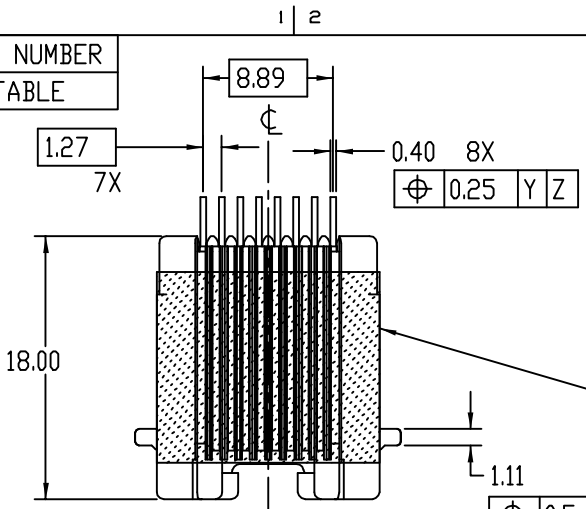


Tous droits strictement réservés. Reproduction ou communication à des fins non autorisées sans la permission écrite du propriétaire. Propriété de FCI. Inuits de reproduction FCI.

All rights strictly reserved. Reproduction or issue to third parties in any form or by any means without written authority from the proprietor. Property of FCI. Copyright FCI.



PRODUCT NUMBER  
SEE TABLE



mat'l code				tolerances unless otherwise specified		CUSTOMER	
tr	ecm no.	dr	date	linear	0.X ± 0.3	copy	www.fciconnect.com title 8 POS, LOW PROFILE, SMT, MOD JACK ASSY
C	V03-0651	TAB	06/09/03		0.XX ± 0.13	projection	
D	V03-1326	TAB	12/16/03		.XXX ± 0.051		
E	V03-1354	DAI	12/22/03	angles	0° ± 2°		product family MOD JACK code size dwg no A 98320 sheet 1 of 2
F	V04-0550	DAI	05/27/04	dr	B.BAHN 6/14/99	MM	
G	V04-0733	DAI	07/19/04	engr	B. MARSHALL 6/14/99	←	scale 2:1
H	V05-0503	DAI	05/25/05	chr	B. MARSHALL 6/14/99	→	
J	T06-0166	JH	10/24/06	appd	JKINTOS 8/23/02		
sheet	revision	J	J				
index	sheet	1	2				

MARK  
"COMPANY LOGO GOES HERE"

NOTE 6

NOTE 5

Pro/E

cage code 22526



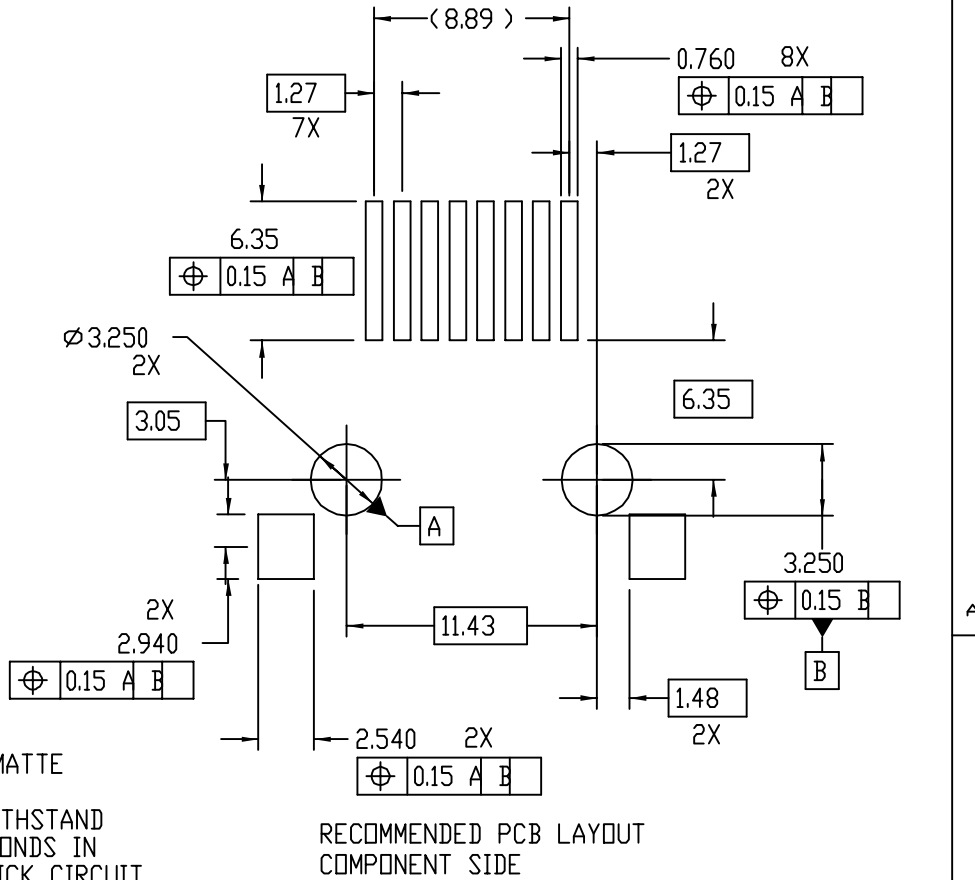
PRODUCT NUMBER	PLATING
98320-3XY_	.76um/30u" Au OVER Ni
98320-5XY	1.27um/50u" Au OVER Ni

ADD "LF" ONLY FOR LEAD FREE OPTION ⑦  
ADD "ALF" FOR LEAD FREE AND SMALL PACKING ⑪

# OF POSITIONS	8
PACKAGING OPTION "X"	DESCRIPTION
8	TAPE AND REEL

NOTES:

- HOUSING MAT'L: HIGH TEMPERATURE THERMOPLASTIC, COLOR BLACK, UL94V-0.
- CONTACT MAT'L: PHOS BRONZE ALLOY  
MATING AREA PLATING: Au OVER Ni (SEE TABLE)  
SOLDER AREA PLATING: 2.54um/100u" MIN TIN/LEAD OVER Ni.
- SHIELD MAT'L: PRE-TIN PLATED COPPER ALLOY.
- ALL DIMENSIONS ARE IN MILLIMETERS.
- ⑤ COPLANARITY APPLIES TO HOLD-DOWNS AND SOLDER TAILS.
- ⑥ KAPTON TAPE PLACED APPROXIMATELY AS SHOWN FOR VACUUM PICK UP.
- ⑦ LEAD FREE SOLDER TAIL PLATING 2um (80u") MIN. MATTE TIN OVER 1.27um (50u") MIN. NICKEL UNDERPLATE.
- IF LEAD FREE PART NUMBER, THE HOUSING WILL WITHSTAND EXPOSURE TO 260°C PEAK TEMPERATURE FOR 10 SECONDS IN A WAVE SOLDER APPLICATION WITH 1.60mm MIN. THICK CIRCUIT BOARD.
- PACKAGING OF LEAD FREE PRODUCTS MEET LABELING AND PACKAGING SPECIFICATION GS-14-920.
- LEAD FREE PRODUCTS MEET EUROPEAN UNION DIRECTIVES AND OTHER COUNTRY REGULATIONS AS DESCRIBED IN GS-22-008.
- ⑪ THE SMALL Q'TY IS PACKING BY A 13" DIA. REEL WITH THE Q'TY IN 150 EA.



nat'l code		SEE NOTES		tolerances unless otherwise specified		CUSTOMER		 www.fciconnect.com					
itr	ecn no.	dr	date	linear	0.X ± 0.3	projection	CDPY		title 8 POS, LOW PROFILE, SMT, MOD JACK ASSY				
J					0.XX ± 0.13		 MM	product family		MOD JACK code			
					.XXX ± 0.01			size			dwg no 98320		
					angles			scale				sheet 2 of 2	
					0° ± 2°			3:1					
				dr	B. BAHN	6/14/99	cage code						
				engr	B. MARSHALL	6/14/99	22526						
				chr	B. MARSHALL	6/14/99							
				appd	JKONTOS	8/23/02							
sheet	revision												
Index	sheet												