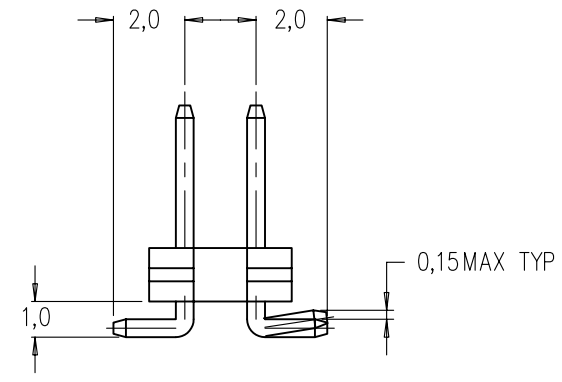
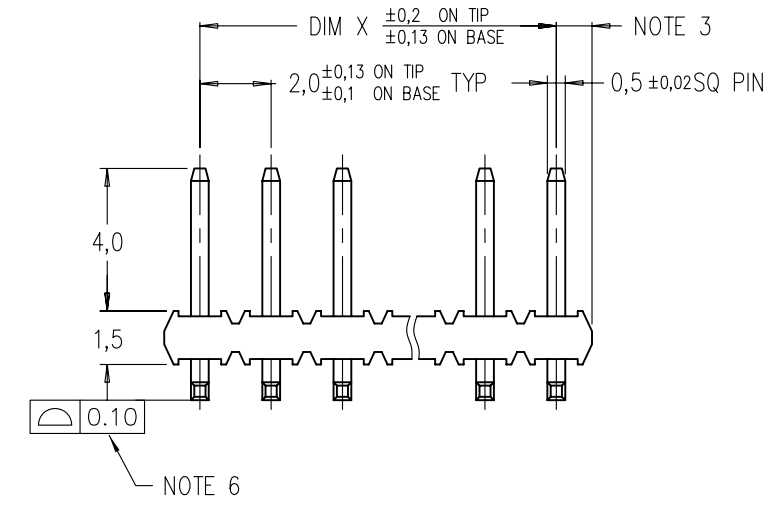
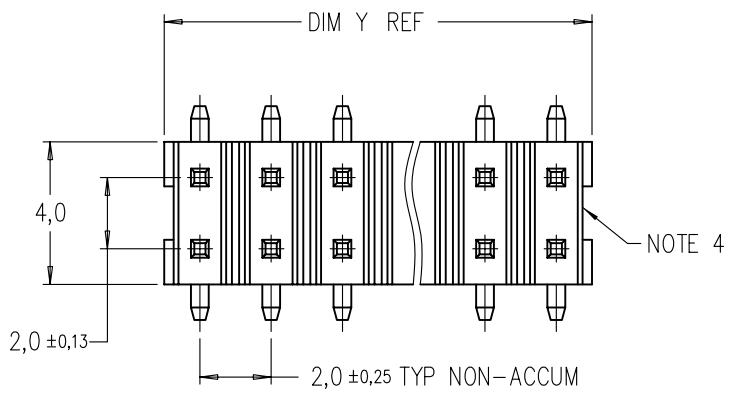


Tous droits strictement reserves. Reproduction ou communication a des tiers interdite sous quelque forme que ce soit sans autorisation ecrite du proprietaire. Propriete de c FCI. Droits de reproduction FCI.

All rights strictly reserved. Reproduction or issue to third parties in any form whatever is not permitted without written authority from the proprietor. Property of FCI. Copyright FCI.



CONFIDENTIAL

mat'l. code				tolerances unless otherwise specified			CUSTOMER COPY		FCI www.fciconnect.com	
ltr	ecn no	dr	date	linear	± 0.25		projection	title MINITEK II SMT STR HEADER		
A	S40256	BSL	10/24/96							
B	S05-0002	KBM	1/5/05	angles			MM	product family		code
				dr	ML CHWA	10/24/94		MINITEK	-	
				enr	BS LOW	10/27/94	5:1	size		sheet
				chr	KB MAH	1/5/05		A	94270	
				appd	JOEY NG	1/5/05				
sheet index	revision sheet	B	B							
		1	2							

cage code  
22526

ACAD

PDM: Rev:B

STATUS: Released

Printed: Jul 20, 2005

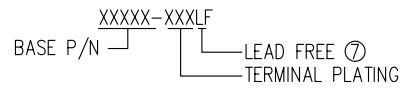
Tous droits strictement réservés. Reproduction ou communication a des tiers interdite sous quelque forme que ce soit sans autorisation écrite du propriétaire. Propriété de c FCI. Droits de reproduction FCI.



All rights strictly reserved. Reproduction or issue to third parties in any form whatever is not permitted without written authority from the proprietor. Property of FCI. Copyright FCI.

PRODUCT NO	POS	DIM X	DIM Y
94270-X04	2X2	2	4
-X06	2X3	4	6
-X08	2X4	6	8
-X10	2X5	8	10
-X12	2X6	10	12
-X14	2X7	12	14
-X16	2X8	14	16
-X18	2X9	16	18
-X20	2X10	18	20
-X22	2X11	20	22
-X24	2X12	22	24
-X26	2X13	24	26
-X28	2X14	26	28
-X30	2X15	28	30
-X32	2X16	30	32
-X34	2X17	32	34
-X36	2X18	34	36
-X38	2X19	36	38
-X40	2X20	38	40
-X42	2X21	40	42
-X44	2X22	42	44
-X46	2X23	44	46
-X48	2X24	46	48
-X50	2X25	48	50

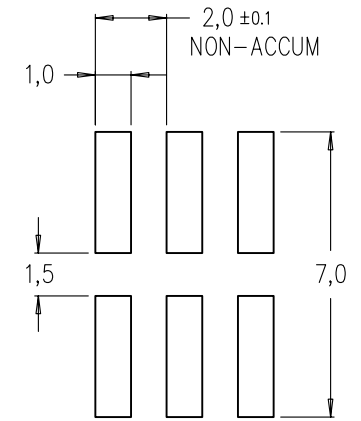
**PART NUMBER INFORMATION**



**NOTES**

- MATERIAL**  
BODY : HIGH TEMPERATURE PLASTIC UL 94V-0 BLACK  
PIN : COPPER ALLOY
- TOLERANCE UNLESS OTHERWISE NOTED ±0,25
- DIM 1,0 ±0,15 APPLIES TO MOLDED SIDE(S) ONLY. IF SIDE(S) ARE BROKEN, DIM 1,5 MAX. APPLIES.
- RECESS APPLIES TO MOLDED SIDE(S) ONLY.
- PACKAGING :**  
(a) STANDARD PACKAGING IN PLASTIC BAG.  
(b) SPECIFY 94270-XXXT FOR TUBE PACKAGING.  
(c) SPECIFY 94270-XXXTR FOR TAPE AND REEL PACKAGING, A PICK-UP CAP IS PROVIDED IN THE CENTRE OF THE PRODUCT (SEE FIG 1) FOR PICK AND PLACE APPLICATION. PLEASE CHECK WITH FACTORY ON AVAILABILITY OF TAPE & REEL PACKAGING.
- COPLANARITY OF SOLDER LEADS TO BE WITHIN 0,10mm.
- 94270-XXXLF IS SAME AS 94270-XXX. THE SUFFIX 'LF' IS ADDED JUST FOR EASY LEAD FREE IDENTIFICATION
- THE HOUSING WILL WITHSTAND EXPOSURE TO 255° C PEAK TEMPERATURE FOR 10 SECONDS IN A CONVECTION, INFRA-RED OR VAPOR PHASE REFLOW OVEN.
- THE HOUSING WILL WITHSTAND EXPOSURE TO 260° C PEAK TEMPERATURE FOR 10 SECONDS IN A WAVE SOLDER APPLICATION WITH A 1.57MM MINIMUM THICK CIRCUIT BOARD.
- THIS PRODUCT MEETS EUROPEAN UNION DIRECTIVES AND OTHER COUNTRY REGULATIONS AS DESCRIBED IN GS-22-008.

PLATING	DESCRIPTION
0	0.2um Au OVER Ni
1	0.76um Au OVER Ni
3	0.38um Au OVER Ni
5	0.38um PdNi W Au FLASH OVER Ni
6	0.76um PdNi W Au FLASH OVER Ni



RECOMMENDED PAD LAYOUT

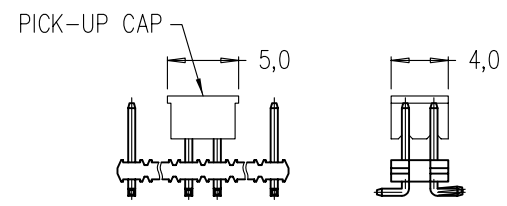


FIG. 1  
NOTE 5 (c)

CONFIDENTIAL

mat'l. code				tolerances unless otherwise specified			CUSTOMER COPY		FCI www.fciconnect.com	
ltr	ecn no	dr	date	linear	±0.25		projection	title		
B				angles				MINITEK II SMT STR HEADER		
				dr	ML CHWA	10/24/94	MM	product family	MINITEK	code
				enrg	BS LOW	10/27/94		size	dwg no	-
				chr	KB MAH	1/5/05	scale	A		94270
				appd	JOEY NG	1/5/05	2:1			sheet 2 of 2
sheet index	revision sheet									

cage code 22526