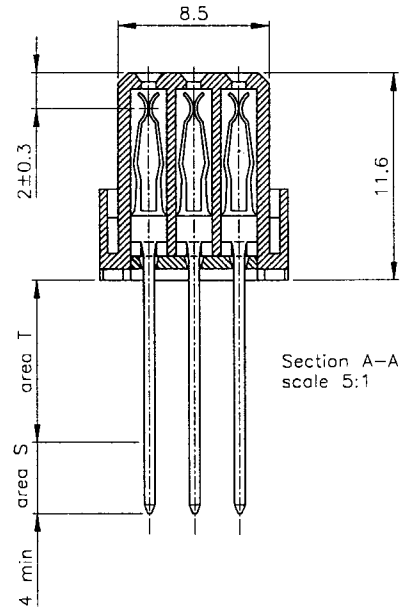
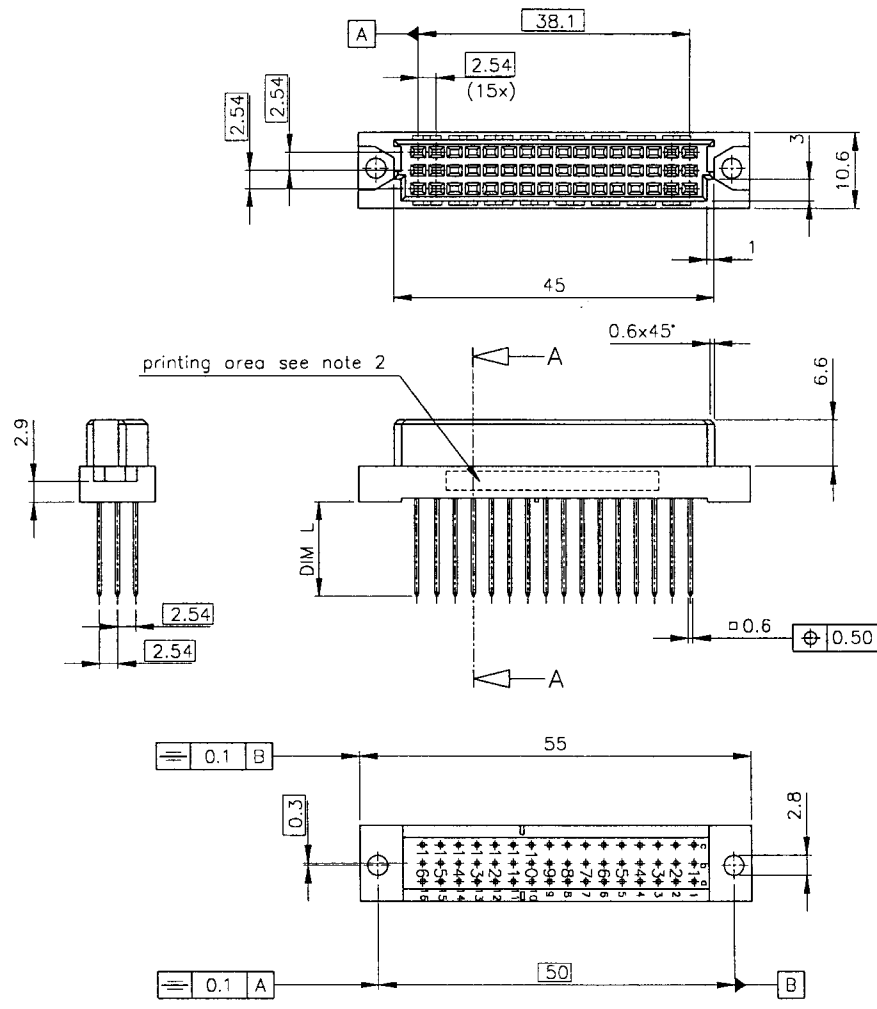
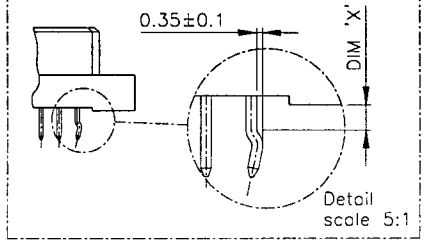


Product number see next sheet

Detail of optional kinked legs (see note 5)



- Notes:
1. material body: Glass fiber filled polyester
material contact: Phosphor bronze
 2. Printing consists of BERG 92376-XYZU YY-WK
product number _____
DIN classification _____
tail length code _____
loading pattern code _____
optional kinked legs code _____
year and week number of fabrication _____
 3. Only for 13 and 17mm tail length
 4. Dimensions according to DIN 41612
 5. Only for 4mm tail length

BERG ELECTRONICS

mat'l code		tolerances unless otherwise specified		CUSTOMER COPY		BERG ELECTRONICS	
itr	ec'n no	dr	date	linear	projection	title Fem Stb 3x16 preloaded connector	
A	H30406	MVI	930601				
B	H30633	MVI	930915				
C	H60268	ODS	960418	angles			
D	H80125	DDB	980220	dr	M. Visschers 930601	product family	Backpanel
				engr	M. Laman 930915	size	dwg no
				chr	M. Laman 930601	scale	A2 92376
				app	H. Cozijmans 930601	year	1 of 2
sheet	revision	D	D				
index	sheet	1	2				

PRODUCT NO	PIN "X" PLACED IN POSITION																REMARKS	
	ROW	1	2	3	4	5	6	7	8	9	10	11	12	13	14	15		16
92376-XY1	a		X		X		X		X		X		X		X		X	
	b																	
	c		X		X		X		X		X		X		X		X	
92376-XY2	a		X		X		X		X		X		X		X		X	
	b		X		X		X		X		X		X		X		X	
	c		X		X		X		X		X		X		X		X	
92376-XY3	a	X	X	X	X	X	X	X	X	X	X	X	X	X	X	X	X	
	b																	
	c	X	X	X	X	X	X	X	X	X	X	X	X	X	X	X	X	
92376-XY4	a	X	X	X	X	X	X	X	X	X	X	X	X	X	X	X	X	
	b	X	X	X	X	X	X	X	X	X	X	X	X	X	X	X	X	
	c	X	X	X	X	X	X	X	X	X	X	X	X	X	X	X	X	
92376-XY5	a	X	X			X	X			X					X	X	X	
	b	X	X			X	X			X					X	X	X	
	c	X	X			X	X			X					X	X	X	

-XYZA	1.6	1.5±0.2
KINKED LEGS CODE U	PCB THICKNESS	DIM 'X'
OPTIONAL KINKED LEGS FEATURE AT THE FOUR CORNER POSITION TERMINALS		

-7YZ	DIN class III	DIN class III	Gold flash	see note 3
-6YZ	DIN class II	DIN class II	Gold flash	see note 3
-3YZ	DIN class III	SnPb	SnPb	
-2YZ	DIN class II	SnPb	SnPb	
PLATING CODE X	CONTACT AREA FEMALE PART	CONTACT AREA S	AREA T	REMARKS

-X4Z	17
-X3Z	13
-X2Z	4
-X1Z	2.5
TAIL LENGTH CODE Y	DIM L

mat'l code		---		tolerances unless otherwise specified		CUSTOMER COPY		BERG ELECTRONICS		
ltr	ec'n no	gr	date	linear	projection	title Fem Stb 3x16 preloaded connector				
A	H30406	WVI	930601			product family Backpanel code 213				
B	H30633	WVI	930915	angles		size dwg no				
C	H60268	DOB	960418			sheet 2 of --				
D	H80125	DOB	980220	gr	M. Visschers	930601	scale		A2	92376
				engr	M. Loman	930915				
				chr	M. Loman	930601				
				apdd	H. Cozijmans	930601				
sheet index	revision sheet									