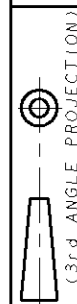




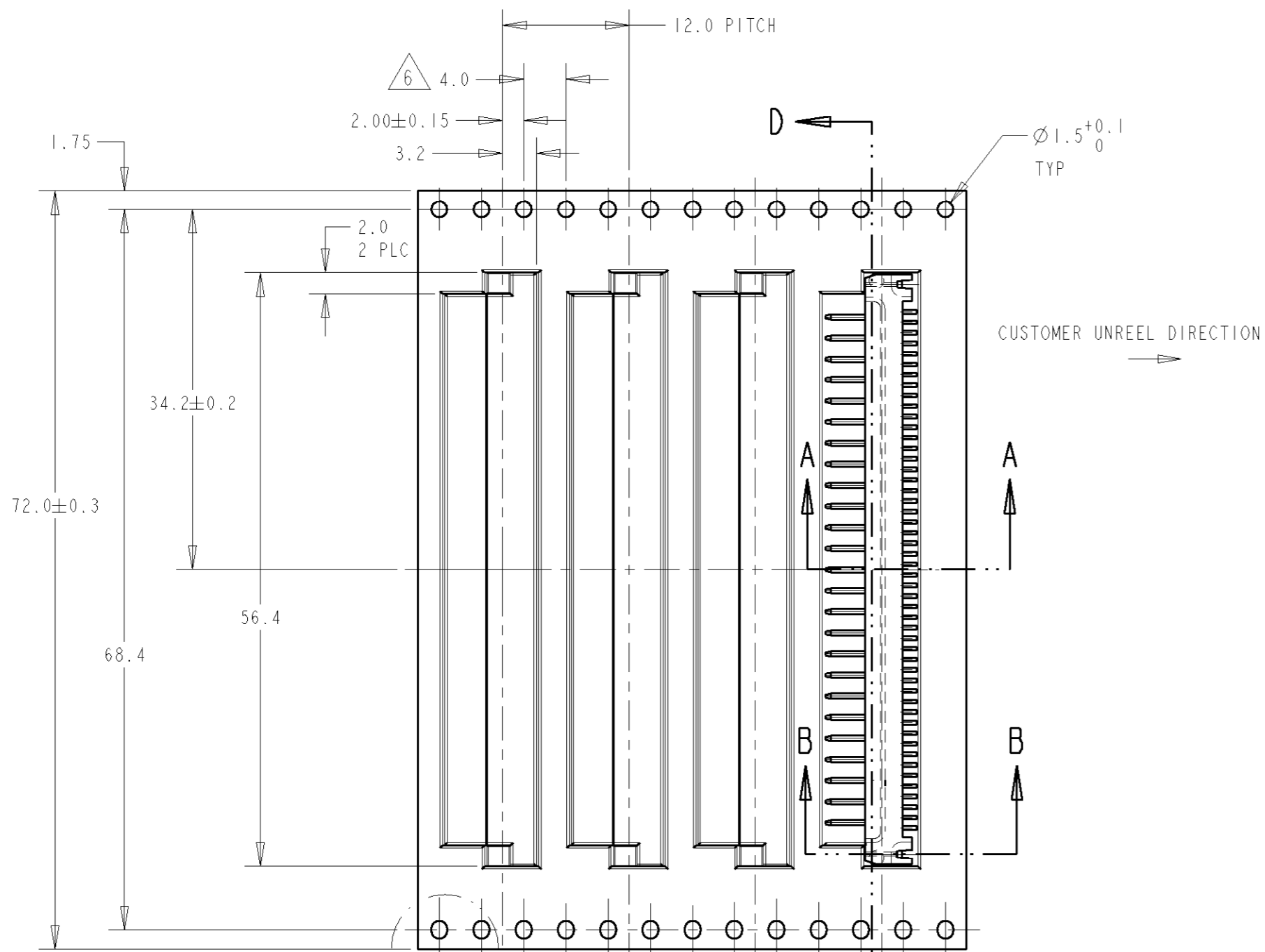
NUMBER  
84108



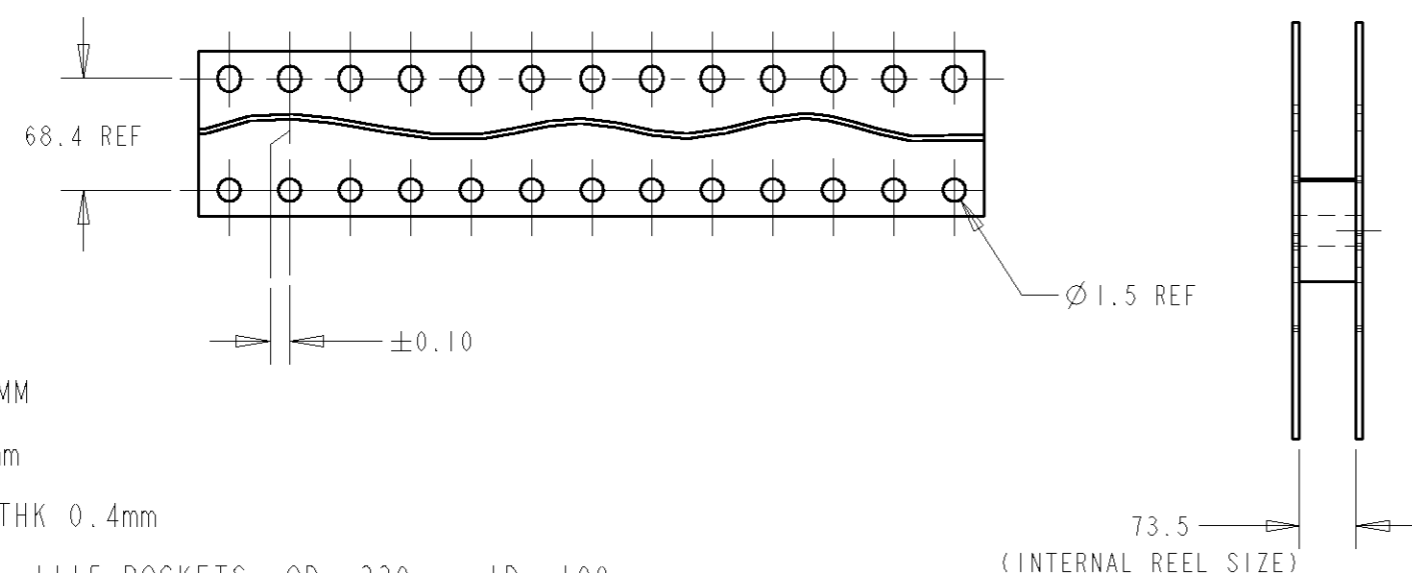
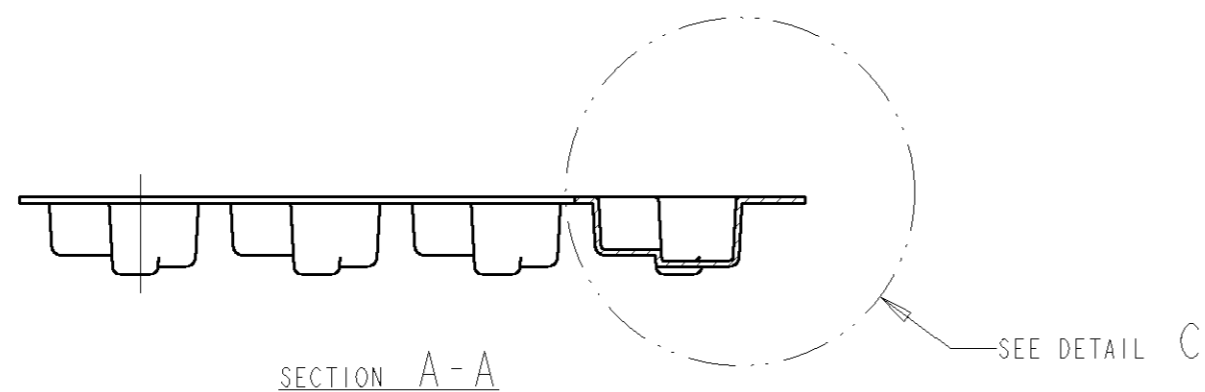
METRIC

DIMENSIONS IN MM. DO NOT SCALE. PRINT

PRINT DIST



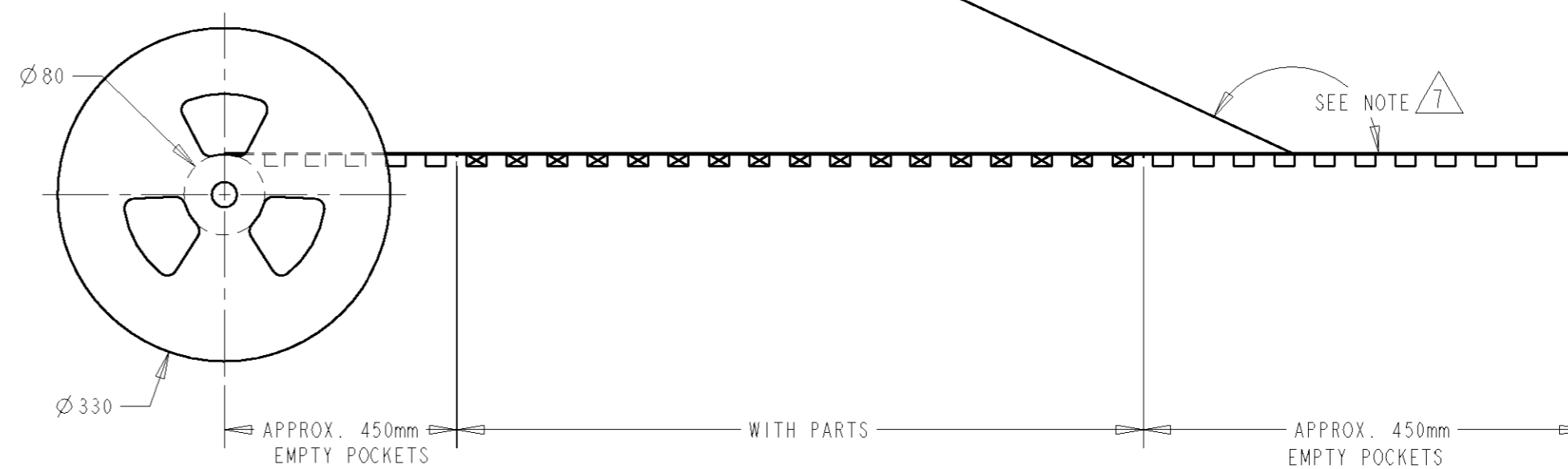
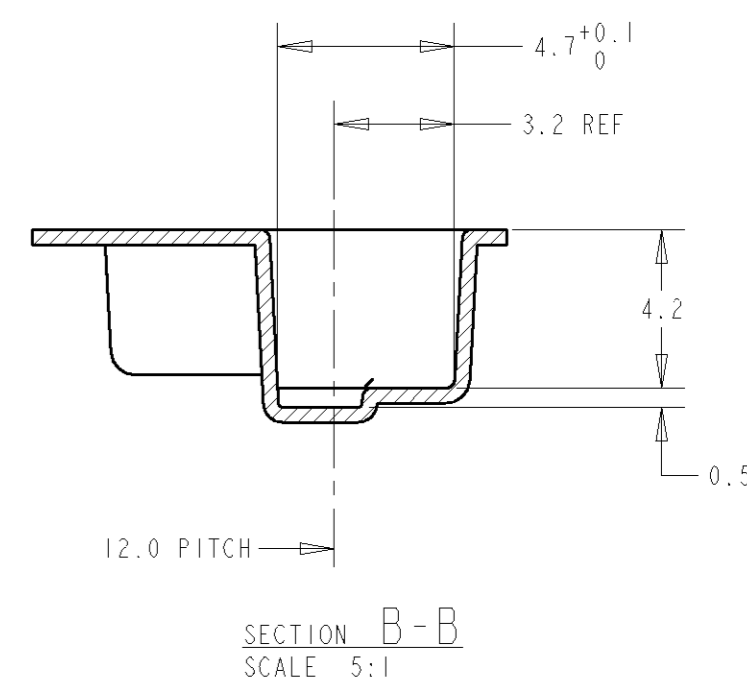
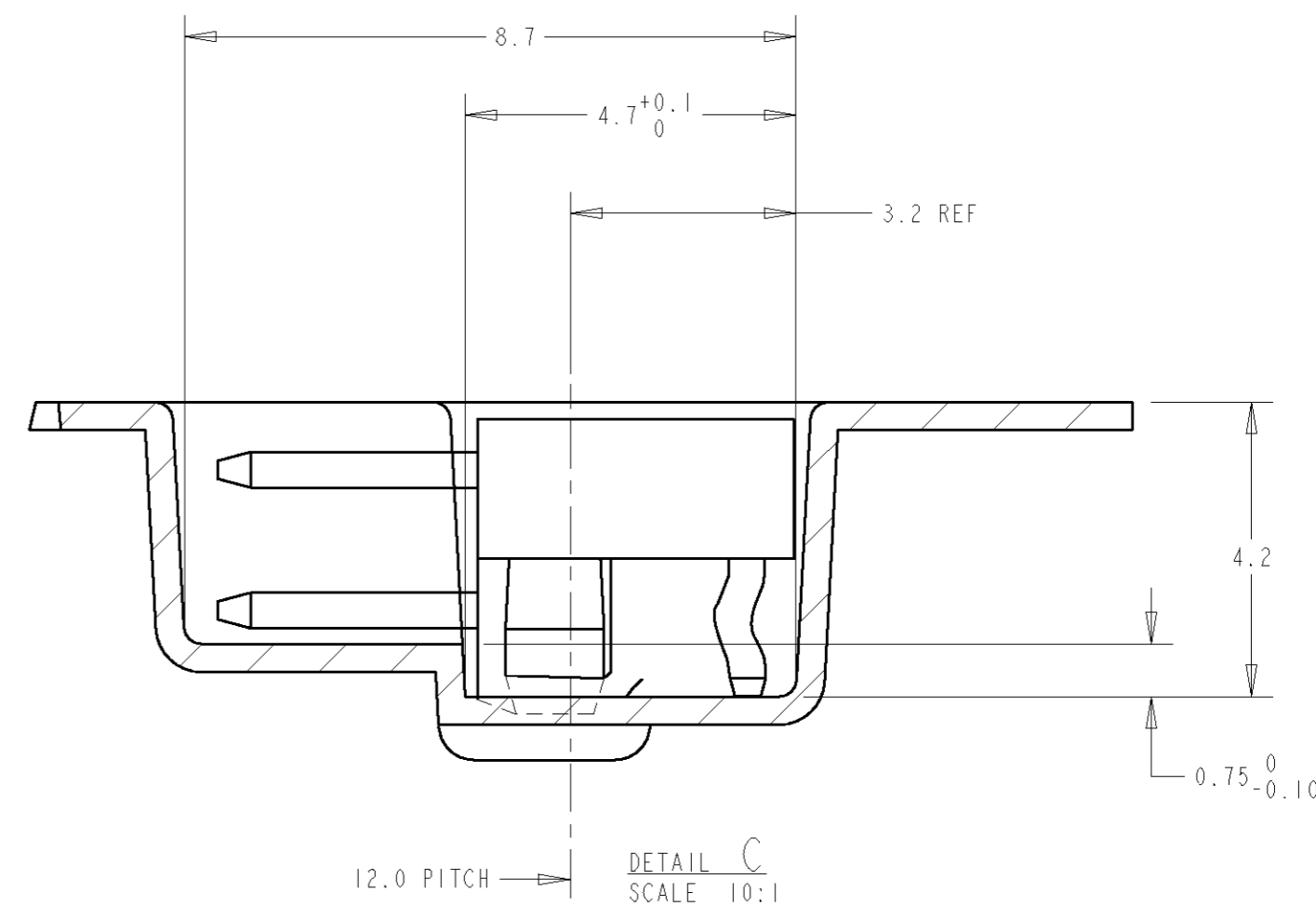
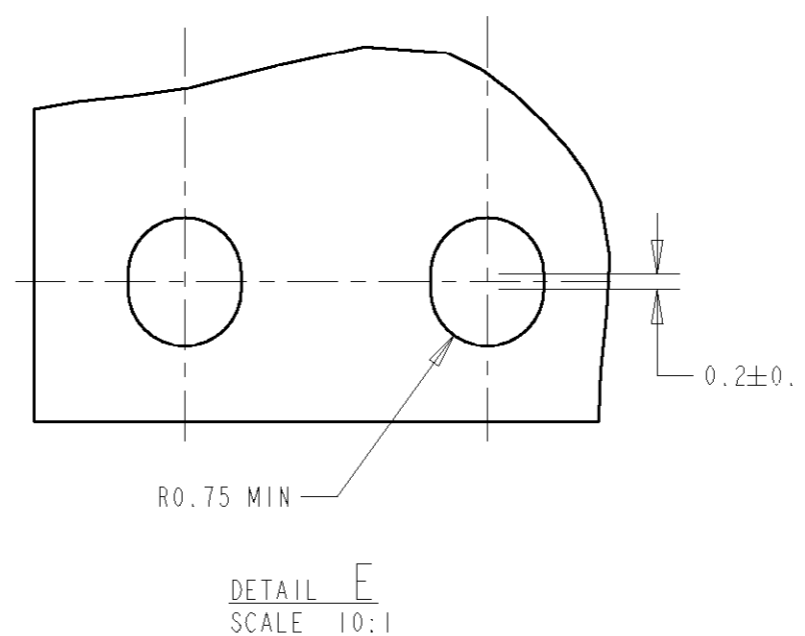
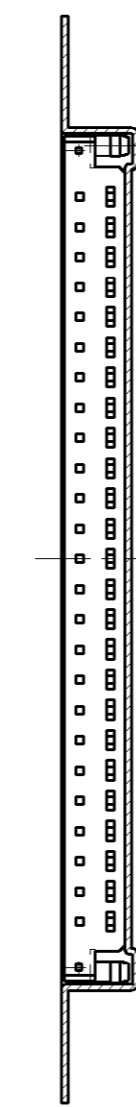
SEE DETAIL E



NOTES:

1. ALL DIMENSIONS IN MM
2. GENERAL TOL: ± 0.1mm
3. MATERIAL: HOUSING THK 0.4mm
4. PACKAGING PER REEL: 1115 POCKETS; OD: 330mm, ID: 100mm
5. QTY PER REEL: 1000 PCS
6. 10 PITCHES CUMULATIVE TOLERANCE ON TAPE ± 0.2mm
7. PEELING STRENGTH: 10g~70g  
PEELING ANGLE: 165~180  
PEELING SPEED: 300mm/MINUTE
8. TAPE & REEL PACKAGING APPLY TO P/N: 1-84108-2

TAPE & REEL PACKAGING



Copyright © 1994		Copyright © 1994 AMP MANUFACTURING (SINGAPORE) PTE. LTD. ALL RIGHTS RESERVED.		<b>AMP</b>		AMP MANUFACTURING (SINGAPORE) PTE. LTD.	
(WIRE RANGE)	(INSULATION DIA.)	(NAME)					
mm <sup>2</sup> (AWG - )	mm $\phi$	HEADER ASSEMBLY, 2mm AMPMODU SMT, R/A, D/R					
(MATERIAL)	(FINISH)	(GENERAL TOLERANCE)	SIZE	LOC	(No.)	84108	
---	---	0 < * ≤ 10 : ± 0.2	A2	DY			
SEE SHEET 1 OF 2	DR. 14.12.92 SARIATI	10 < * ≤ 30 : ± 0.25	(SCALE)	REV.	U	SHEET 2 OF 2	
LTR (REVISION RECORD)	DR CHK DATE	30 < * ≤ 100 : ± 0.3	3:1				
	CHK LEE	ANGLES : ± 3°					

CUSTOMER DRAWING