

PRODUCT NUMBER
76341-YXXXXLF

WHEN NEEDED, SUFFIX LETTER "LF"
INDICATES THE PRODUCT IS RoHS
COMPATIBLE, SEE NOTE 5.

OPTIONAL LETTER
H: HIGH TEMPERATURE PRODUCT.

NUMBER OF POSITIONS: 02 TO 50.

PLATING CODE

3= 0.76µm GOLD ON CONTACT AREA.

3.81µm TIN-LEAD ON TAIL.

4= 5µm TIN-LEAD ON CONTACT AREA.

3.81µm TIN-LEAD ON TAIL.

WHEN SUFFIX "LF" IS REQUIRED, 2µm MIN MATTE
TIN OVER 1.27 MIN Ni IS SUPPLIED INSTEAD OF SnPb.

NOTES:

- 1 - HOUSING MAT'L: THERMOPLASTIC GLASS FILLED
FLAME RETARDANT PER UL 94 V-0
LOW TEMPERATURE: COLOR BLUE
HIGH TEMPERATURE: COLOR GREY.
- 2 - TERMINAL MATERIAL: PHOSPHOR BRONZE.
- 3 - 2 UP TO 4 POSITIONS PRODUCT PACKED IN PLASTIC BOX.
5 UP TO 50 POSITIONS PRODUCT PACKED IN TUBE.
- 4 - TO DETERMINE DIMENSIONS:
N = NUMBER OF POSITIONS
EXAMPLE: 8 POS: $(N \times 2.54) - 0.08 = 20.24$ mm
- 5 - RoHS COMPATIBLE PRODUCT SPECIFICATIONS

a - PLATING:

- "LF" MEANS THE PRODUCT IS LEAD-FREE,
2µm MINIMUM MATTE TIN OVER 1.27µm
MINIMUM NICKEL UNDERPLATE.

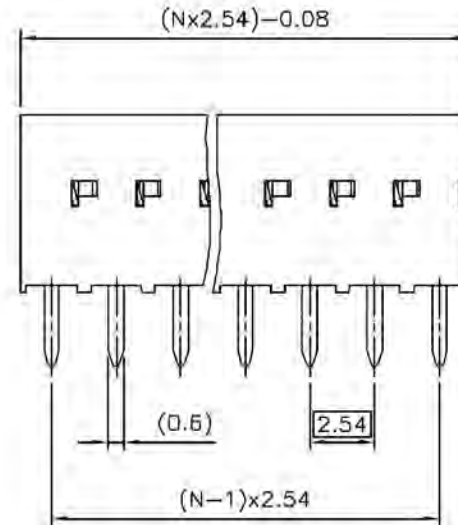
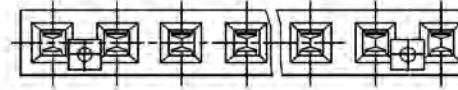
b - MANUFACTURING PROCESS COMPATIBILITY

- THE HOUSING WILL WITHSTAND EXPOSURE TO
260°C ±5°C SOLDER BATH TEMPERATURE FOR
5 SECONDS IN A WAVE SOLDER APPLICATION
WITH A 1.6mm MIN THICK CIRCUIT BOARD.

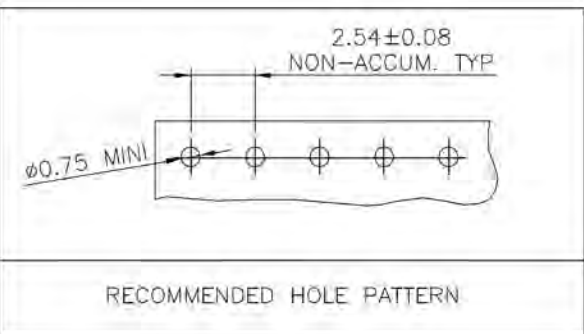
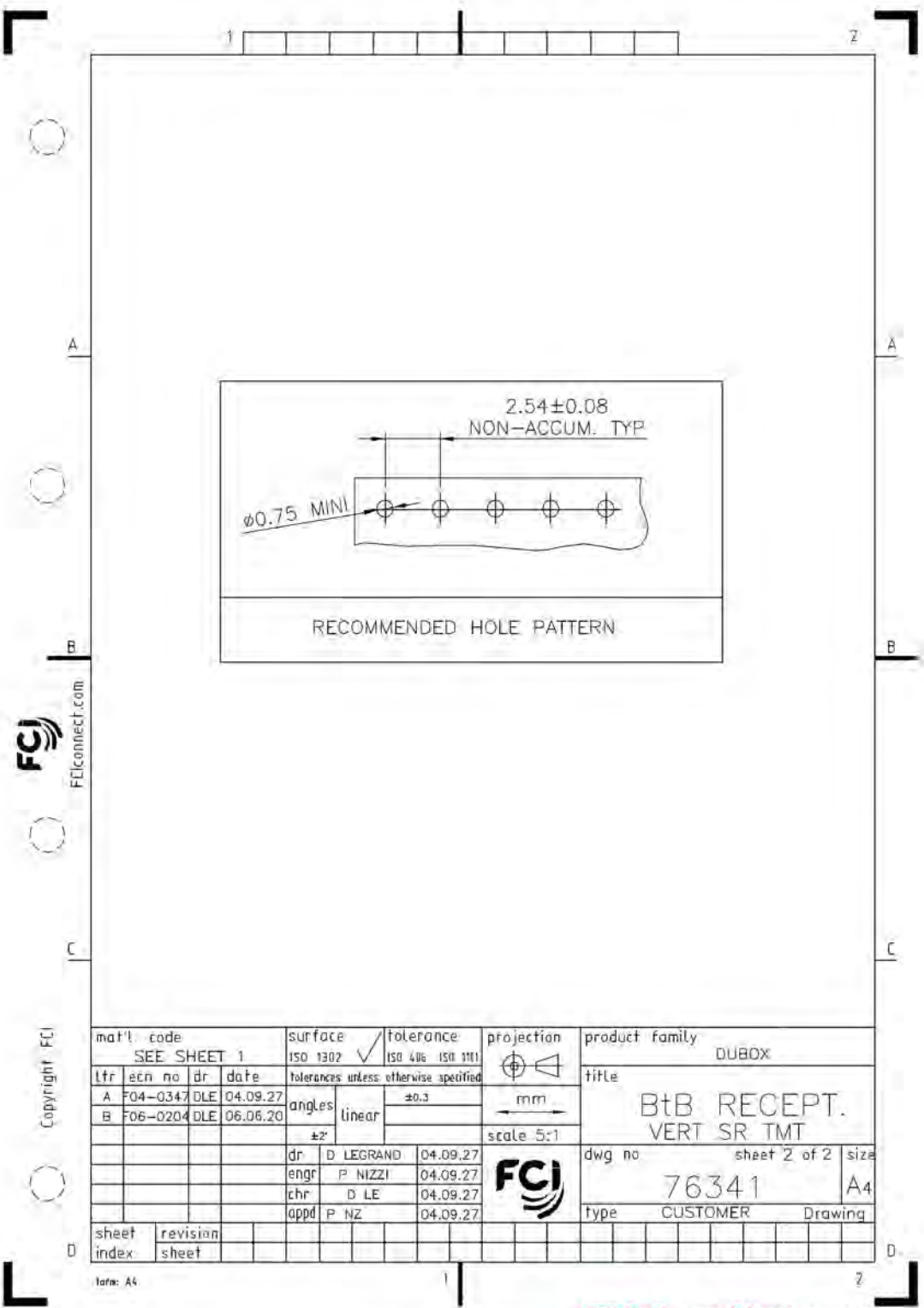
c - LABELING:

- MEETS PACKAGING SPECS AS PER GS-14-920

d - LEGAL STATEMENT: SEE GS-22-008



mat'l code SEE NOTES				surface ISO 1302 ✓	tolerance ISO 406 ISO 1101	projection mm	product family DUBOX
Ltr	ecn no	dr	date	tolerances unless otherwise specified		mm	title BtB RECEPT. VERT SR TMT
G	F10030	PVA	91.02.26	angles	Linear	±0.3	
H	F80711	PNZ	96.10.11				
J	F80115	PNZ	98.01.22	±2°		scale 5:1	
K	F10110	GCO	01.01.16	dr	D LEGRAND	04.09.27	dwg no 76341
L	F03-0284	DLE	03.10.07	enigr	P NIZZI	04.09.27	sheet 1 of 2 A3
M	F04-0347	DLE	04.09.27	chr	D LEGRAND	04.09.27	size
N	F06-0204	DLE	06.06.20	appd	P NZ	04.09.27	type CUSTOMER Drawing
sheet	revision	N	B				
index	sheet	1	2				



Copyright FCJ

matl. code		surface		tolerance		projection		product family		
SEE SHEET 1		ISO 1302 ✓		ISO 406 ISO 111				DUBOX		
lfr	ecn no	dr	date	tolerances unless otherwise specified		mm		title		
A	F04-0347	DLE	04.09.27	angles	linear			BtB RECEPT. VERT SR TMT		
B	F06-0204	DLE	06.06.20	±°		scale 5:1				
		dr	D LEGRAND	04.09.27				dwg no		
		engr	P NIZZI	04.09.27				sheet 2 of 2		size
		chr	D LE	04.09.27				76341		A4
		appd	P NZ	04.09.27				type CUSTOMER		Drawing
sheet index	revision sheet									

Info: A4