

TYPES SN54LS63, SN74LS63 HEX CURRENT-SENSING INTERFACE GATES WITH TOTEM-POLE OUTPUTS

REVISED DECEMBER 1983

- Translates Low-Level Input Current to Low-Level Output Voltage
- Translates High-Level Input Current to High-Level Output Voltage
- Interfaces to PLA's or Other Logic Elements that Source Current but Do Not Sink Current
- Operates from a Single 5 V Supply
- TTL Compatible
- Low Power Dissipation . . . 40 mW Typical.

description

Each of these Schottky-clamped interface gates is able to discriminate between low-level ($\leq 50\mu\text{A}$) and high-level ($\geq 200\mu\text{A}$) input currents.

The outputs are fabricated with standard Low-Power Schottky design rules and are compatible with all TTL families.

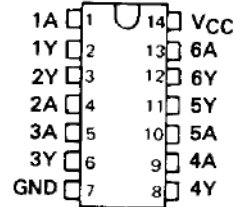
logic diagram (each gate)



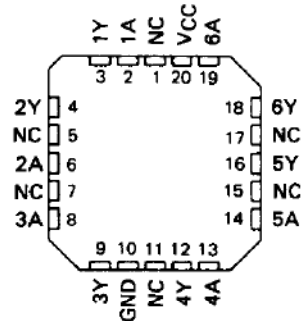
positive logic

$$Y = A$$

SN54LS63 . . . J OR W PACKAGE
SN74LS63 . . . D, J OR N PACKAGE
(TOP VIEW)

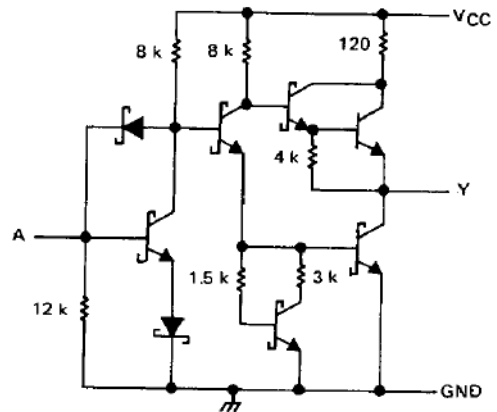


SN54LS63 . . . FK PACKAGE
SN74LS63 . . . FN PACKAGE
(TOP VIEW)



NC - No internal connection

schematic (each gate)



Resistor values shown are nominal and in ohms.

3

TTL DEVICES

3-254

PRODUCTION DATA
This document contains information current as of publication date. Products conform to specifications per the terms of Texas Instruments standard warranty. Production processing does not necessarily include testing of all parameters.

**TEXAS
INSTRUMENTS**

POST OFFICE BOX 225012 • DALLAS, TEXAS 75265

TYPES SN54LS63, SN74LS63 HEX CURRENT-SENSING INTERFACE GATES WITH TOTEM-POLE OUTPUTS

absolute maximum ratings over operating free-air temperature range (unless otherwise noted)

Supply voltage, V_{CC} (see Note 1)	7 V
Input voltage	7 V
Operating free-air temperature range: SN54LS63	-55°C to 125°C
SN74LS63	0°C to 70°C
Storage temperature range	-65°C to 150°C

NOTE 1: Voltage values are with respect to network ground terminal.

recommended operating conditions

	SN54LS63			SN74LS63			UNIT
	MIN	NOM	MAX	MIN	NOM	MAX	
V_{CC} Supply voltage	4.5	5	5.5	4.75	5	5.25	V
I_{OH} High-level output current			-400			-400	μ A
I_{OL} Low-level output current			4			8	mA
I_I Input current			1			1	mA
T_A Operating free-air temperature	-55		125	0		70	°C

electrical characteristics over recommended operating free-air temperature range (unless otherwise noted)

PARAMETER	TEST CONDITIONS†	SN54LS63			SN74LS63			UNIT
		MIN	TYP‡	MAX	MIN	TYP‡	MAX	
V_I Input voltage	$I_I = 50 \mu$ A, $V_{CC} = \text{MIN}$	0.35	1.05	1.75	0.6	1.05	1.6	V
	$I_I = 200 \mu$ A, $V_{CC} = \text{MAX}$	0.6	1.30	2	0.85	1.30	1.8	
V_{OH} High-level output voltage	$V_{CC} = \text{MAX}$, $I_I = 200 \mu$ A, $I_{OH} = -400 \mu$ A	3.5	3.4		3.2	3.4		V
V_{OL} Low-level output voltage	$V_{CC} = \text{MIN}$, $I_I = 50 \mu$ A	$I_{OL} = 4$ mA	0.25	0.4	0.25	0.4		V
		$I_{OL} = 8$ mA			0.35	0.5		
I_{OS} Short-circuit output current§	$V_{CC} = \text{MAX}$, $I_I = 600 \mu$ A	-20	-100		-20	-100		mA
I_{CC} Supply current	$V_{CC} = \text{MAX}$, See Note 2	8	16		8	16		mA

† For conditions shown as MIN or MAX, use the appropriate value specified under recommended operating conditions.

‡ All typical values are at $V_{CC} = 5$ V, $T_A = 25^\circ$ C.

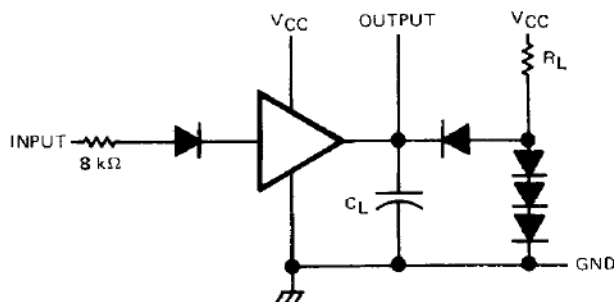
§ Not more than one output should be shorted at a time, and duration of output short circuit should not exceed one second.

NOTE 2: I_{CC} is measured with inputs and outputs open.

switching characteristics, $V_{CC} = 5$ V, $T_A = 25^\circ$ C

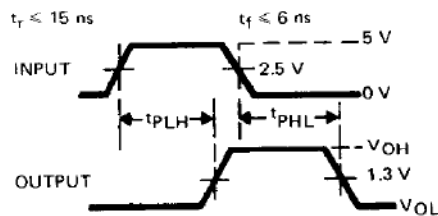
PARAMETER	TEST CONDITIONS	MIN	TYP	MAX	UNIT
t_{PLH} Propagation delay time, low-to-high-level output	$R_L = 2$ k Ω , $C_L = 15$ pF		27	45	ns
t_{PHL} Propagation delay time, high-to-low-level output			15	25	ns

PARAMETER MEASUREMENT INFORMATION



NOTES: a. C_L includes probe and jig capacitance
b. All diodes are IN3064 or equivalent.

TEST CIRCUIT



VOLTAGE WAVEFORMS

3

TTL DEVICES

**TEXAS
INSTRUMENTS**

POST OFFICE BOX 225012 • DALLAS, TEXAS 75265

3-255