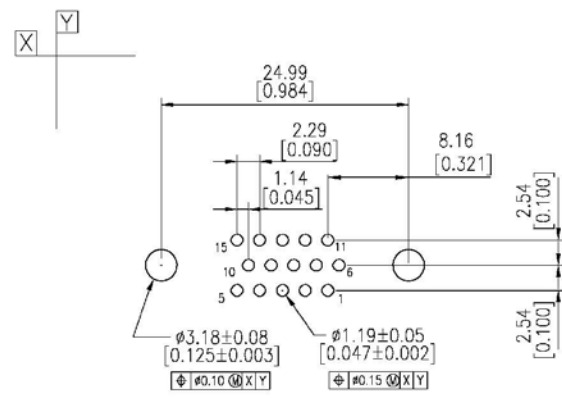
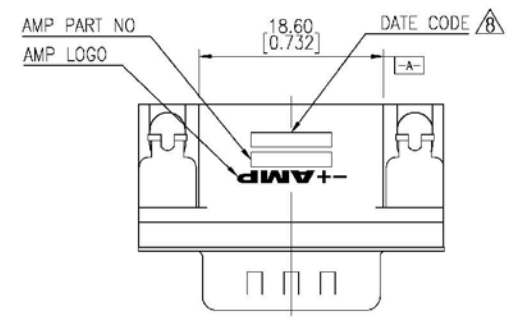
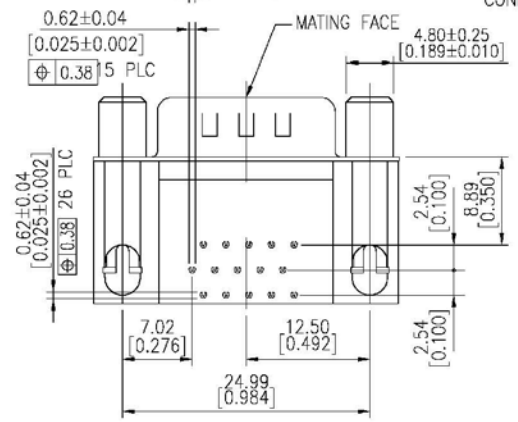
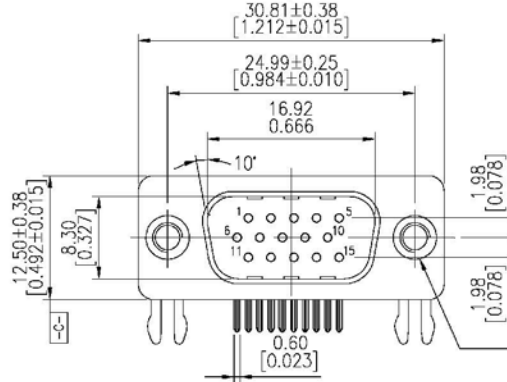


LOC	DIST	REVISIONS					
GP	00	P	U/R	DESCRIPTION	DATE	BY	APP
		J		REVISED PER EC OS13-0175-03	05JUN03	JG	CC

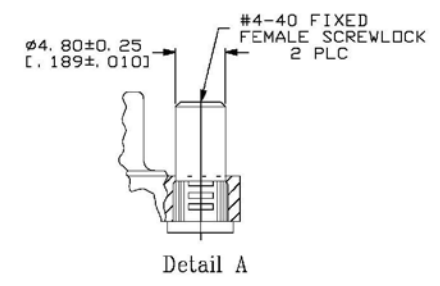


RECOMMENDED PCB LAYOUT



MATERIAL:

- Housing: PBT, 30% G.F polyester, Black. (UL 94V-0 Rated)
- Contact: Phos. Bronze.
- Contact Plated: 30u" Gold PLated over 50u" Nickel underplated.
- $\Delta$  Solder Tail: Tin/Lead Plated 120u" over 50u" Nickel underplated.
- Shell: Steel, Nickel Plated.
- Boardlock: Brass, Tin Plated 100u"
- Female Screwlock: Brass, Nickel plated 30u" Min.
- $\Delta$  Four digit date code in this format.  
01 45  
Year Manufacturing Week
- $\Delta$  Solder Tail: Tin Plated 120u" over 50u" Nickel underplated.



Tray	Detail A	$\Delta$ 30 $\mu$ "	6-749768-7
Tray	Detail A	$\Delta$ Gold flash	749768-3
Tray	Detail A	$\Delta$ 15 $\mu$ "	749768-2
Tray	Detail A	$\Delta$ 30 $\mu$ "	749768-1
Packaging	Mounting Flange	Contact Finish	AMP Part NO

DIMENSIONS		TOLERANCES UNLESS OTHERWISE SPECIFIED:		MATERIAL		FINISH		WEIGHT		CUSTOMER DRAWING	
0 PLC	±	1 PLC	± 0.30	2 PLC	± 0.50	3 PLC	± 0.10	4 PLC	± 0.2	5 PLC	± 0.5
THIS DRAWING IS A CONTROLLED DOCUMENT.		BY BURWELL 22JULY02		BY CASH 22JULY02		TYCO Electronics		Tyco Electronics Corporation Harrisburg, Pa 17105		NAME	
AMPLITE HD-22		15 POS PLUG, RIGHT ANGLE		SIZE		DATE CODE		DRAWING NO		RESTRICTED TO	
A2		00779		C=749768		SCALE		SHEET		REV	
1:1		1 OF 1		J							