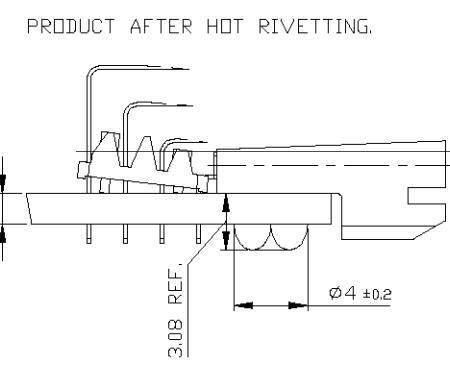
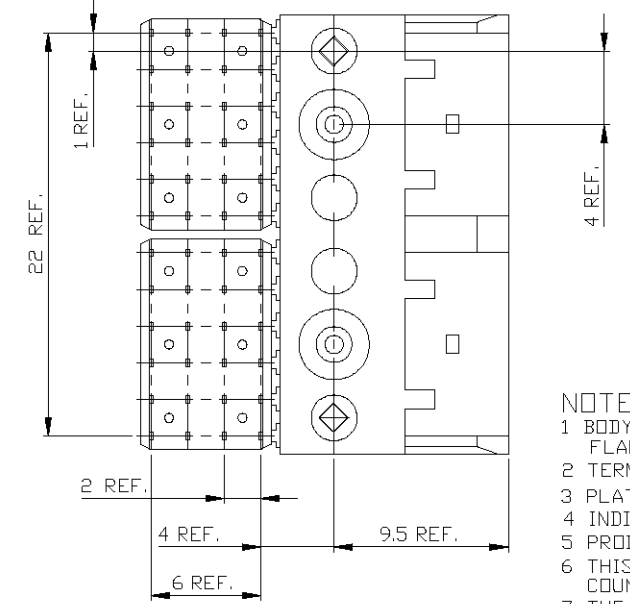
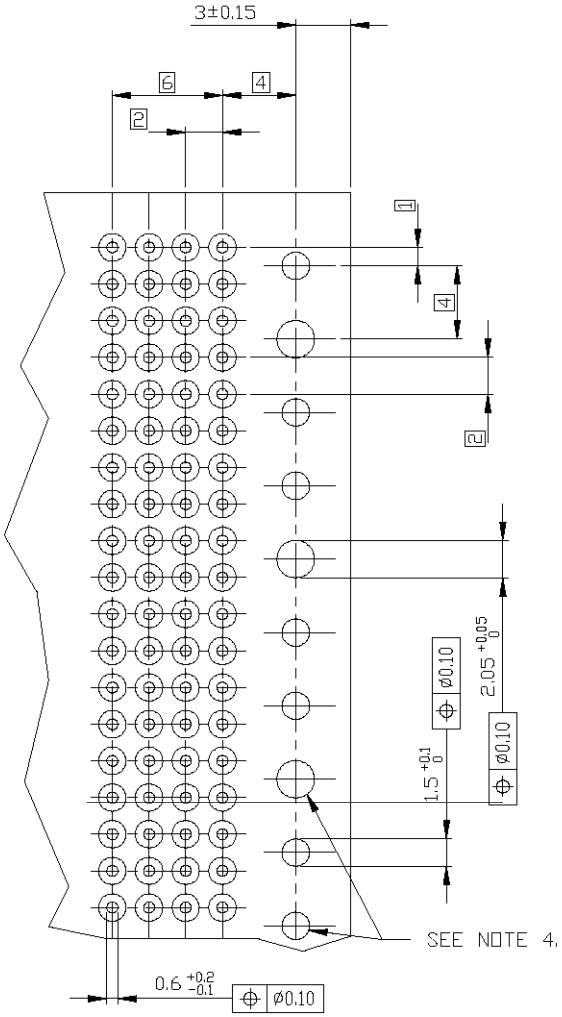
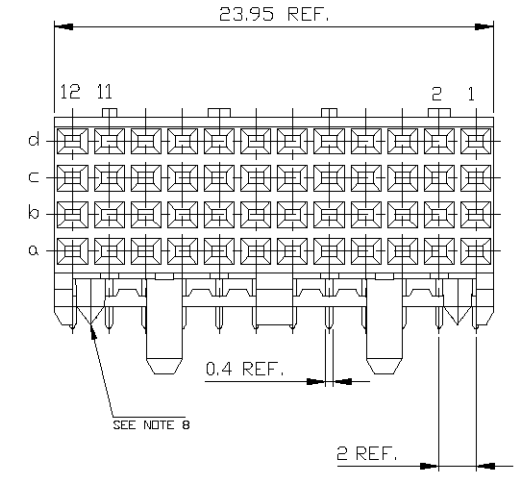
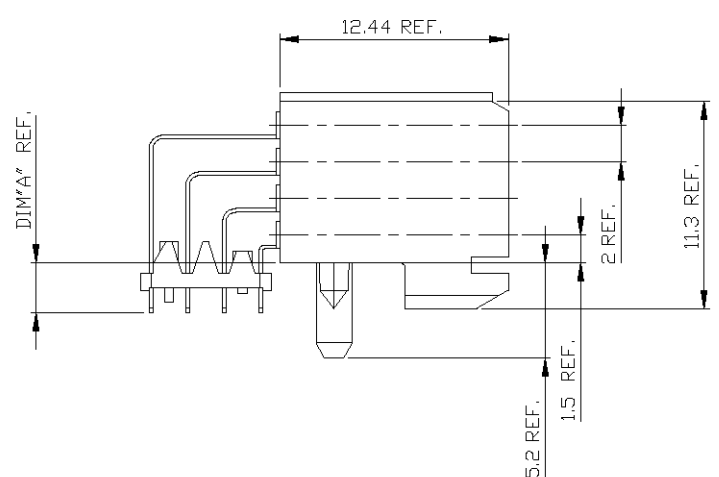


PC BOARD VERSIONS		
PRODUCTNR:	PCB THICKNESS	DIM"A"
70228-X01/X01LF	1.6	2.90
70228-X11/X11LF	2.4	3.53



- NOTES:
- 1 BODY MAT'L: LIQUID CRYSTAL POLYMER 30% GLASS
FLAME RETARDANT ACC. UL 94-V0
 - 2 TERMINAL MATERIAL: PHOSPHOR BRONZE.
 - 3 PLATING SOLDER TAILS 2-8 μ m Sn/Pb 90-97 OR 2-8 μ m PURE Sn
 - 4 INDICATED HOLES ARE UNPLATED.
 - 5 PRODUCT MARKING: PARTNUMBER & BATCH ID.
 - 6 THIS PRODUCT MEETS EUROPEAN UNION DIRECTIVES AND OTHER COUNTRY REGULATIONS AS DESCRIBED IN GS-22-008.
 - 7 THE HOUSING WILL WITHSTAND EXPOSURE TO 260 DEGREE PEAK TEMPERATURE FOR 10 SECONDS IN A WAVE SOLDER APPLICATION.
 - 8 DIAMOND LOCATION PEG ARE ONLY EXISTED ON THE BOTH SIDES OF PRODUCT.

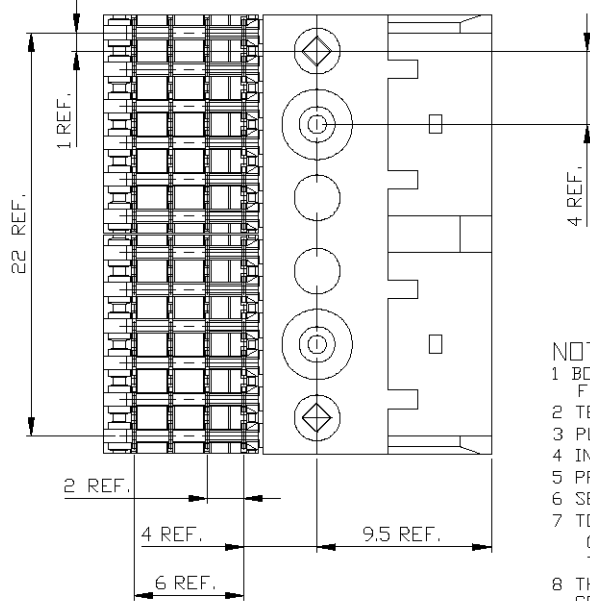
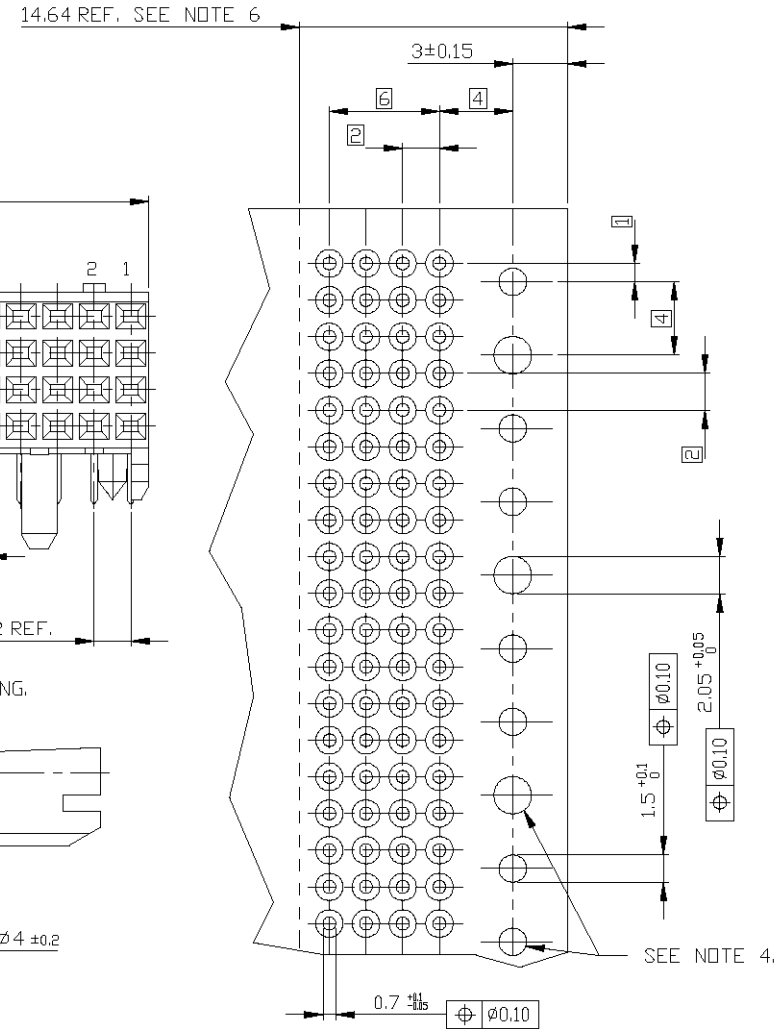
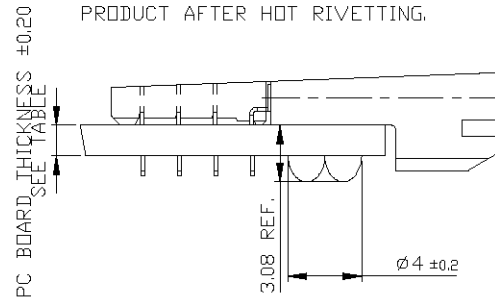
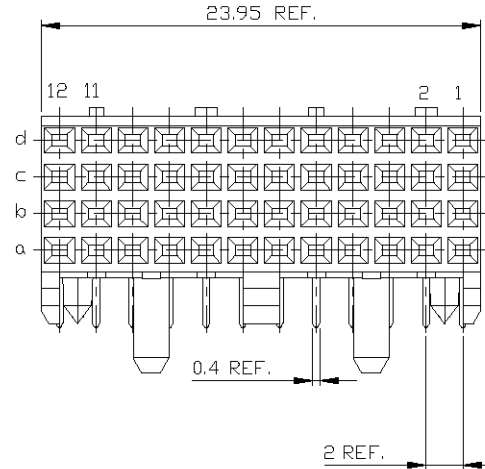
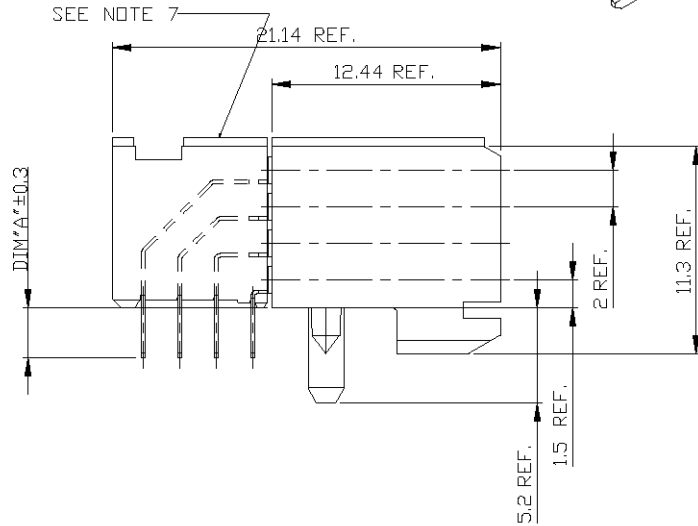
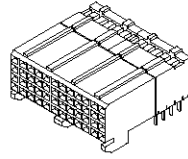
RECOMMENDED HOLE PATTERN, COMPONENT SIDE.

All rights strictly reserved. Reproduction or issue as third parties in any form without written authority from the proprietor. Property of F.C.I. bv. F.C.I. bv.

PLATING CONTACT AREA:	
DASH NR:	PERFORMANCE LEVEL
-1YY/1YYLF	TELCORDIA CO
-2YY/2YYLF	CUSTOMER SPECIAL
-3YY/3YYLF	CUSTOMER SPECIAL

mat'l. code		tolerances unless otherwise specified		CUSTOMER COPY		www.fciconnect.com	
l	0604-004	Clu	041221	linear	projection	title RA FEMALE SIGNAL	
L	0606-0477	CenH	11/17/06			sizedwg no	
M	0607-0168	CenH	05/10/07	angles		product family METRAL(tm)	
N	0609-0068	CenH	06/06/09	clr	Avan Zanten	900918	code
					Engt H. Bouwknegt	940308	213
H	V00576	LLA	000316	chr	A van Zanten	900918	scale
J	V00847	LLA	000530	app	ph van Voensel	900918	5:1
sheet	revision	N	N	N			A2
Index	sheet	1	2	3			70228
							sheet 1 of 3

PC BOARD VERSIONS		
PRODUCTNR:	PCB THICKNESS	DIM*A"
70228-X02/X02LF	1.6	2.90
70228-X12/X12LF	2.4	3.53



PLATING CONTACT AREA:

DASH NR:	PERFORMANCE LEVEL
-1YY/1YYLF	TELCORDIA CO
-2YY/2YYLF	CUSTOMER SPECIAL
-3YY/3YYLF	CUSTOMER SPECIAL

NOTES:

- BODY MAT'L: LIQUID CRYSTAL POLYMER 30% GLASS
FLAME RETARDANT ACC. UL 94-V0
- TERMINAL MATERIAL: PHOSPHOR BRONZE.
- PLATING SOLDER TAILS 2-8 μm SnPb 90-97 OR 2-8 μm PURE Sn
- INDICATED HOLES ARE UNPLATED.
- PRODUCT MARKING: PART NUMBER & BATCH ID.
- SET BACK FOR PRESS BLOCK.
- TOP SURFACE OF PRESS BLOCK MAY EXTEND UP TO 0.4MM HIGHER THAN HOUSING. THIS MAY AFFECT THE TAIL LENGTH BEFORE APPLICATION TO A BOARD
- THIS PRODUCT MEETS EUROPEAN UNION DIRECTIVES AND OTHER COUNTRY REGULATIONS AS DESCRIBED IN GS-22-008.
- THE HOUSING WILL WITHSTAND EXPOSURE TO 260DEGREE PEAK TEMPERATURE FOR 10 SECONDS IN A WAVE SOLDER APPLICATION.
- DIAMOND LOCATION PEG ARE ONLY EXISTED ON THE BOTH SIDES OF PRODUCT.

mat'l. code		tolerances unless otherwise specified		CUSTOMER COPY		FCI	
l	tr	ec	n	no	dr	date	
				linear			
				angles			
		dir	Il	de	Bil	970529	
		engr	P.	Schal	970529		
		chr	P.	Schal	970529		
		app	H.	Coel	mans	970529	
sheet	revision						
Index	sheet						
				projection	title		www.fciconnect.com
				1st angle	RA FEMALE SIGNAL		
				mm	STB 24 mm VERSION		
				scale	product family	METRAL(tn)	code
				5:1	STB	24	213
					size	dwg no	sheet
					A2	70228	2 of 2

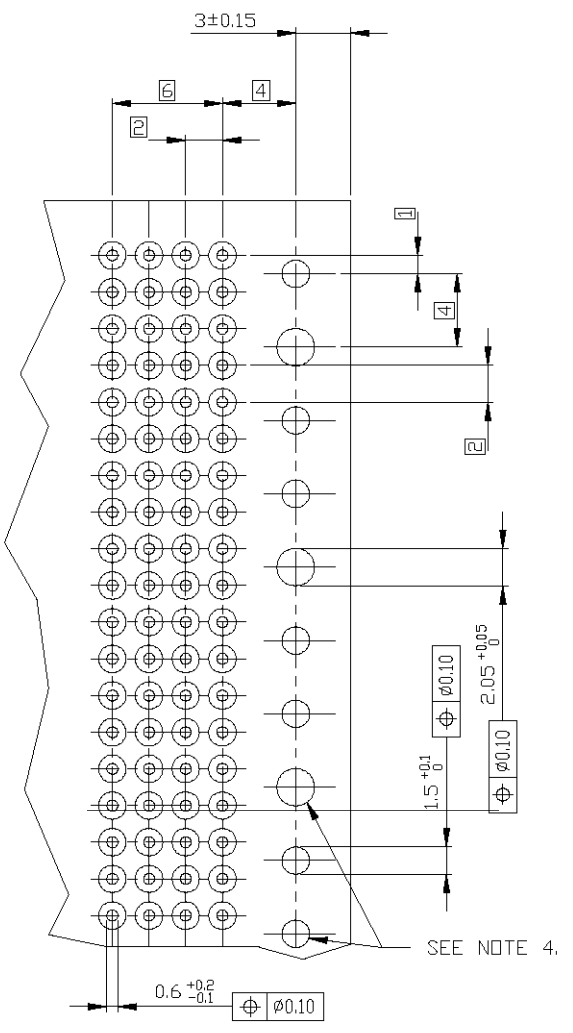
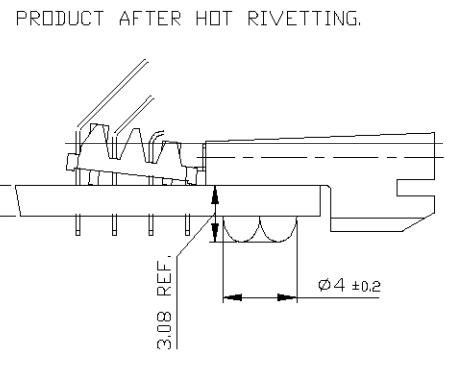
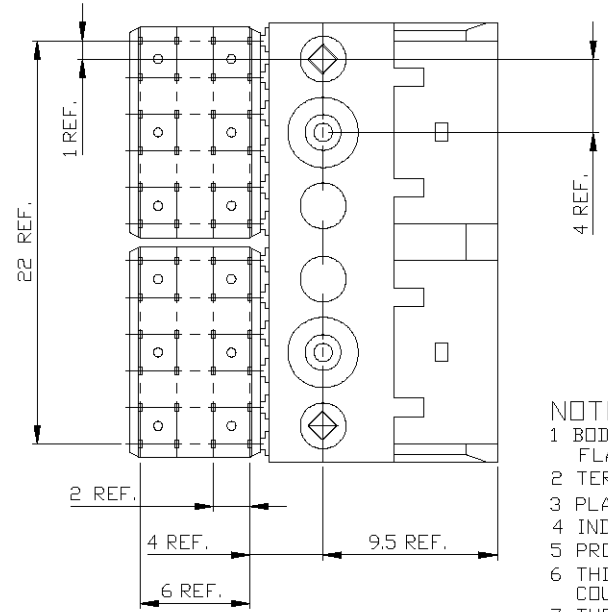
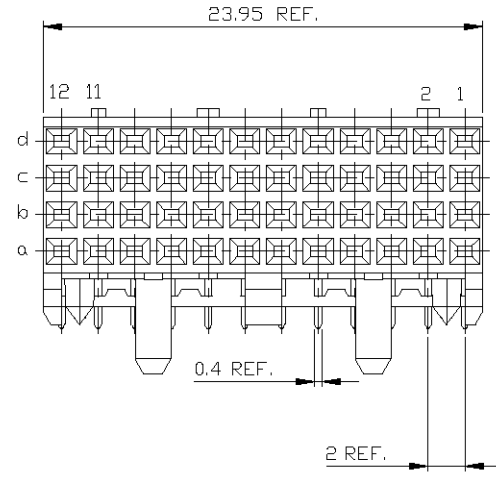
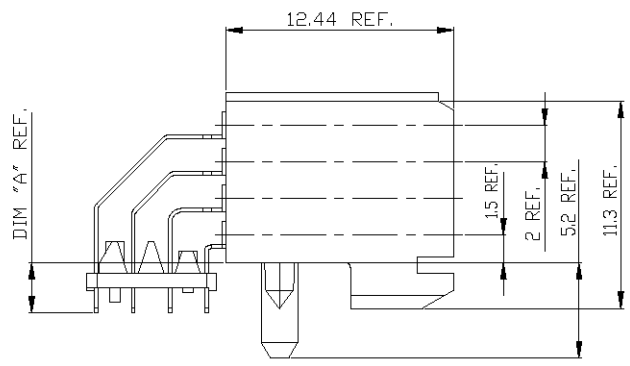
All rights strictly reserved. Reproduction or issue to third parties in any form without written authority from the proprietor. Property of FCI bv. © FCI bv.



All rights strictly reserved. Reproduction or issue to third parties in any form without written authority from the proprietor.
 Tous droits strictement réservés. Reproduction ou communication à des tiers sans autorisation écrite du propriétaire.
 Property of F.C.I. bv.
 © F.C.I. bv.



PC BOARD VERSIONS		
PRODUCTNR:	PCB THICKNESS	DIM "A"
70228-X03/X03LF	1.6	2.90
70228-X13/X13LF	2.4	3.53



- NOTES:**
- 1 BODY MAT'L: LIQUID CRYSTAL POLYMER 30% GLASS
FLAME RETARDANT ACC. UL 94-V0
 - 2 TERMINAL MATERIAL: PHOSPHOR BRONZE.
 - 3 PLATING SOLDER TAILS 2-8 µm SnPb 90-97 OR 2-8 µm PURE Sn
 - 4 INDICATED HOLES ARE UNPLATED.
 - 5 PRODUCT MARKING: PARTNUMBER & BATCH ID.
 - 6 THIS PRODUCT MEETS EUROPEAN UNION DIRECTIVES AND OTHER COUNTRY REGULATIONS AS DESCRIBED IN GS-22-008.
 - 7 THE HOUSING WILL WITHSTAND EXPOSURE TO 260 DEGREE PEAK TEMPERATURE FOR 10 SECONDS IN A WAVE SOLDER APPLICATION.
 - 8 DIAMOND LOCATION PEG ARE ONLY EXISTED ON THE BOTH SIDES OF PRODUCT.

PLATING CONTACT AREA:	
DASH NR:	PERFORMANCE LEVEL
-1YY/1YYLF	TELCORDIA CO
-2YY/2YYLF	CUSTOMER SPECIAL
-3YY/3YYLF	CUSTOMER SPECIAL

mat'l. code		tolerances unless otherwise specified		CUSTOMER COPY		 www.fciconnect.com		
l	tr	ec	no	dr	date	linear	projection	
							 title RA FEMALE SIGNAL STB 24 mm VERSION	
				dr	Heaven Cen	11/17/06	product family METRAL(tm) code 213 sizedwg no scale S1 sheet 3 of 3	
				enr	Collins Lu	11/17/06		
				chr	Beer Fu	11/17/06		
				appd	Joseph Hsla	11/17/06		
sheet	revision							
Index:	sheet							