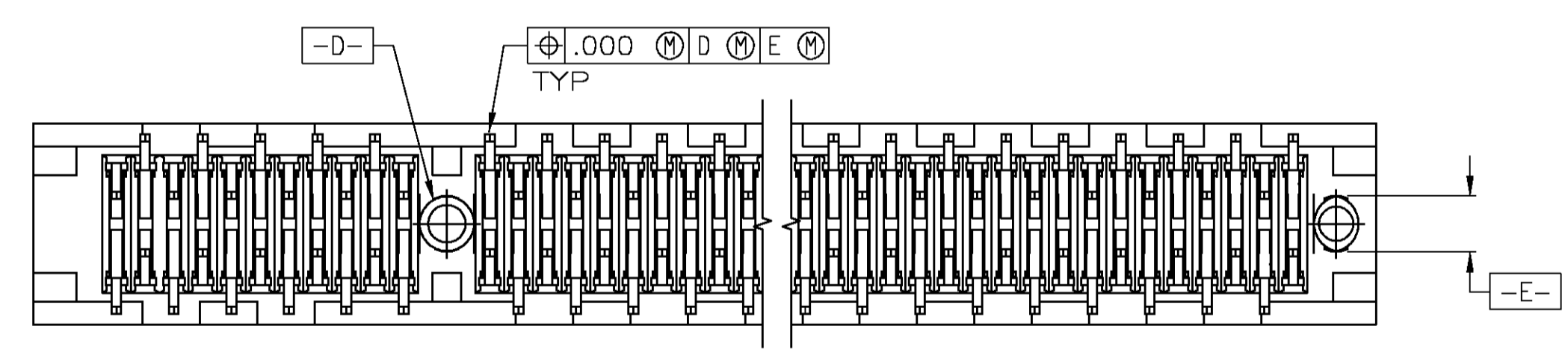
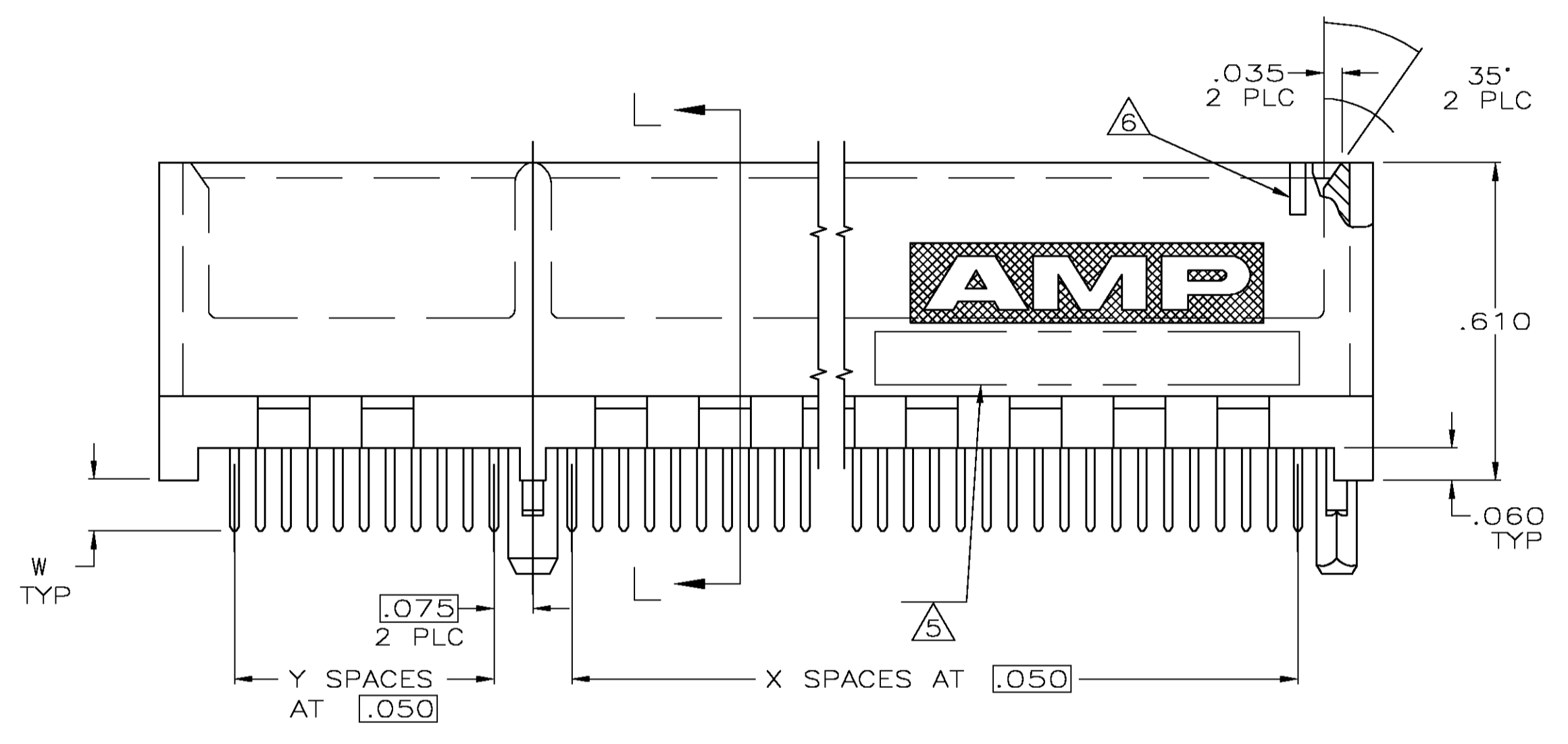


SECTION L-L  
SCALE 8:1

- ① HOUSING: HIGH TEMPERATURE THERMOPLASTIC. COLOR: BROWN.
- ② CONTACT: PHOSPHOR BRONZE.
- ③ CONTACT FINISH: .000100 MIN NICKEL ALL OVER, .000030 MIN GOLD OVER NICKEL IN CONTACT AREA, .000100 MIN TIN-LEAD OVER NICKEL ON SOLDER TAILS.
- ④ DISTANCE FROM CONTACT POINT TO BOTTOM OF CARD SLOT.
- ⑤ AMP PART NUMBER, DATE CODE AND CSA LOGO MARKED IN APPROXIMATE AREA SHOWN.
- ⑥ PIN ONE IDENTIFIER NOTCH ONLY ON PART NUMBERS INDICATED.



SEE SHEET 2 FOR HOLE PATTERNS

	.125	NO	B	1.800	1.760	2.59	.610	10	33	45	1-650090-4
OBSOLETE	.140	NO	B	1.800	1.760	2.59	.610	10	33	45	1-650090-3
	.140	NO	A	1.050	1.010	1.84	.610	10	18	30	1-650090-2
	.140	NO	C	2.200	2.160	4.34	1.960	37	41	80	1-650090-1
OBSOLETE	.100	NO	B	2.100	2.060	4.59	2.310	44	39	85	1-650090-0
	.100	NO	C	2.200	2.160	4.34	1.960	37	41	80	650090-9
OBSOLETE	.125	YES	A	2.350	2.310	3.14	.610	10	44	56	650090-8
	.100	NO	B	.700	.660	1.49	.610	10	11	23	650090-7
	.100	NO	A	1.050	1.010	1.84	.610	10	18	30	650090-6
OBSOLETE	.100	NO	A	2.550	2.510	3.34	.610	10	48	60	650090-5
OBSOLETE	.100	NO	A	.550	.510	1.34	.610	10	8	20	650090-4
	.100	NO	A	1.550	1.510	2.34	.610	10	28	40	650090-3
	.100	NO	B	1.800	1.760	2.59	.610	10	33	45	650090-2
	.100	YES	A	2.350	2.310	3.14	.610	10	44	56	650090-1
W	PIN ONE IDENTIFIER	HOLE PATTERN	V	U	T	S	Y	X	NO OF DUAL POSN	PART NUMBER	

THIS DRAWING IS A CONTROLLED DOCUMENT. 3/20/91

APVD: K.L. CLOUSER/UTA, M. BOWERS

DATE: 7-22-91

TYCO Electronics Tyco Electronics Corporation, Harrisburg, Pa 17105-3608

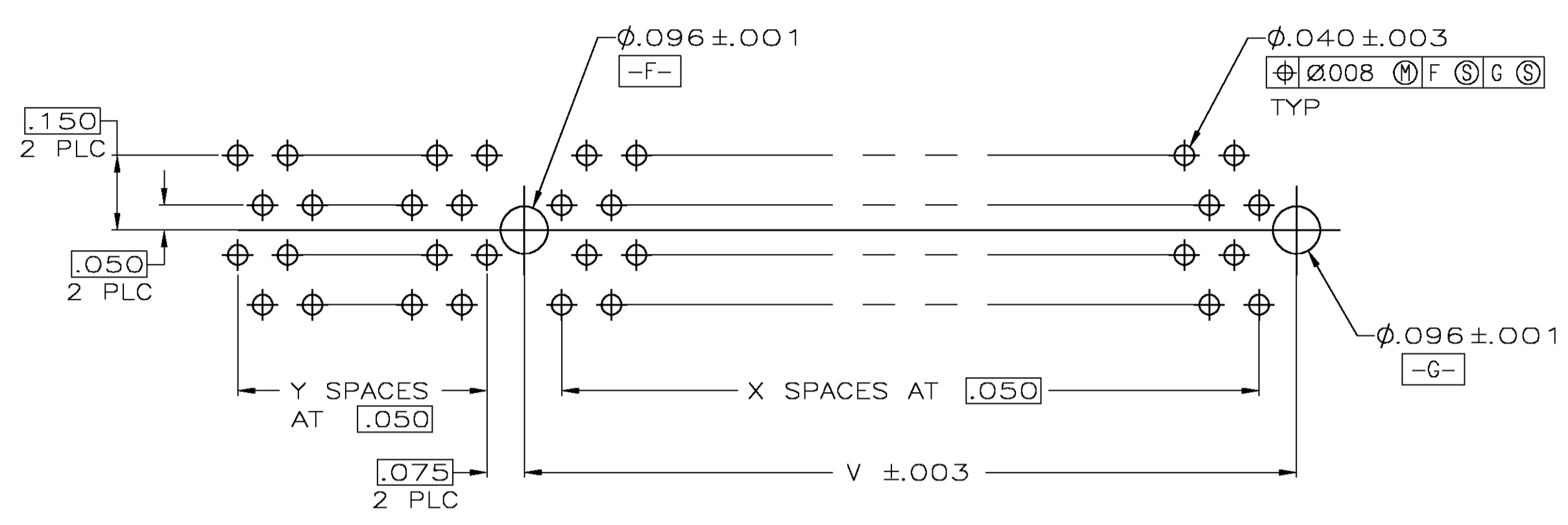
PRODUCT SPEC: 108-14034

APPLICATION SPEC: 114-26012

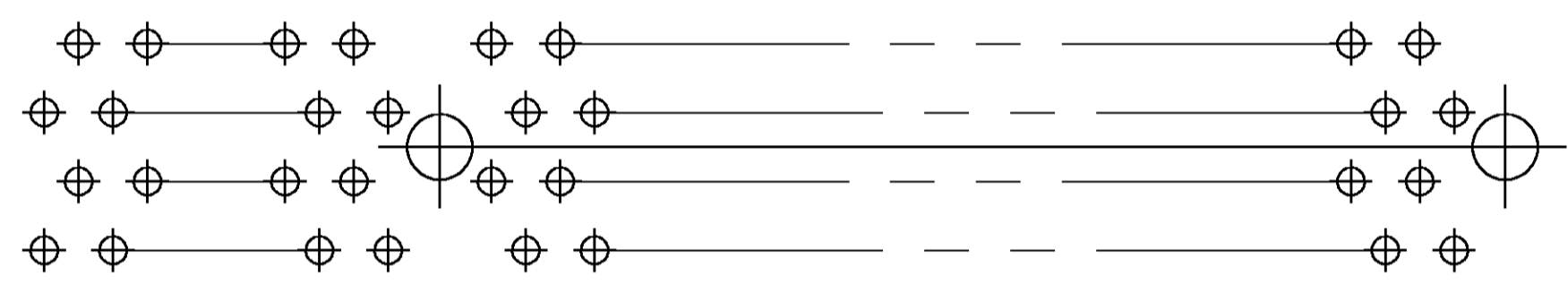
SIZE: A1, CASE CODE: 00779, DRAWING NO: 650090

RESTRICTED TO: CUSTOMER DRAWING

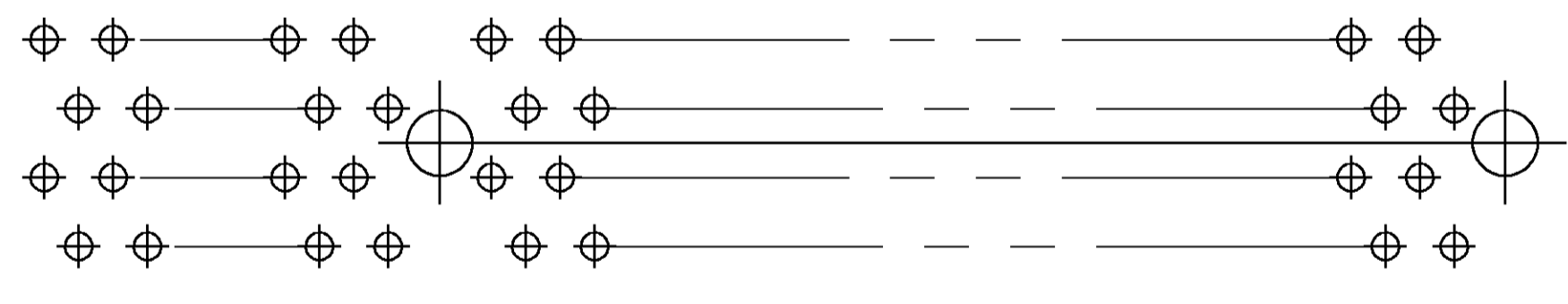
SCALE: 4:1, SHEET: 1 OF 2, REV: AA



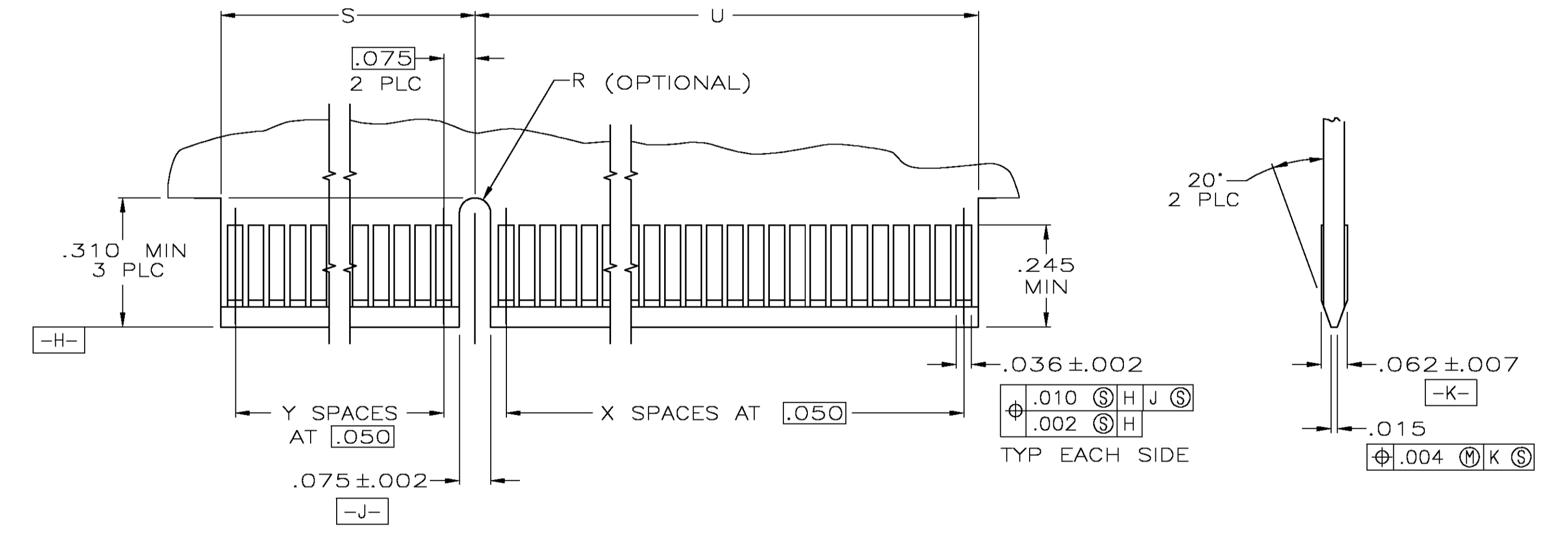
RECOMMENDED CONNECTOR MOUNTING HOLE PATTERN A  
 (CONNECTOR SIDE SHOWN)



RECOMMENDED CONNECTOR MOUNTING HOLE PATTERN B  
 (CONNECTOR SIDE SHOWN)



RECOMMENDED CONNECTOR MOUNTING HOLE PATTERN C



RECOMMENDED MATING BOARD EDGE CONFIGURATION  
 (CONNECTOR SIDE SHOWN)

THIS DRAWING IS A CONTROLLED DOCUMENT.		DNW K.L. CLOUSER/UTA 7-22-91	3/20/91	Tyco Electronics Corporation Harrisburg, Pa 17105-3608	
DIMENSIONS: INCHES		TOLERANCES UNLESS OTHERWISE SPECIFIED:	APVD M. BOWERS	NAME CONNECTOR ASSEMBLY DUAL POSITION .050 SERIES	
0 PLC ± -		1 PLC ± -	PRODUCT SPEC 108-14034	SIZE A1	
2 PLC ± .01		3 PLC ± .005	APPLICATION SPEC 114-26012	CAGE CODE 00779	DRAWING NO 650090
4 PLC ± -		ANGLES ± -	WEIGHT -	RESTRICTED TO -	SCALE 4:1
MATERIAL SEE SHEET 1		FINISH SEE SHEET 1	CUSTOMER DRAWING		SHEET 2 OF 2
				REV -	APVD