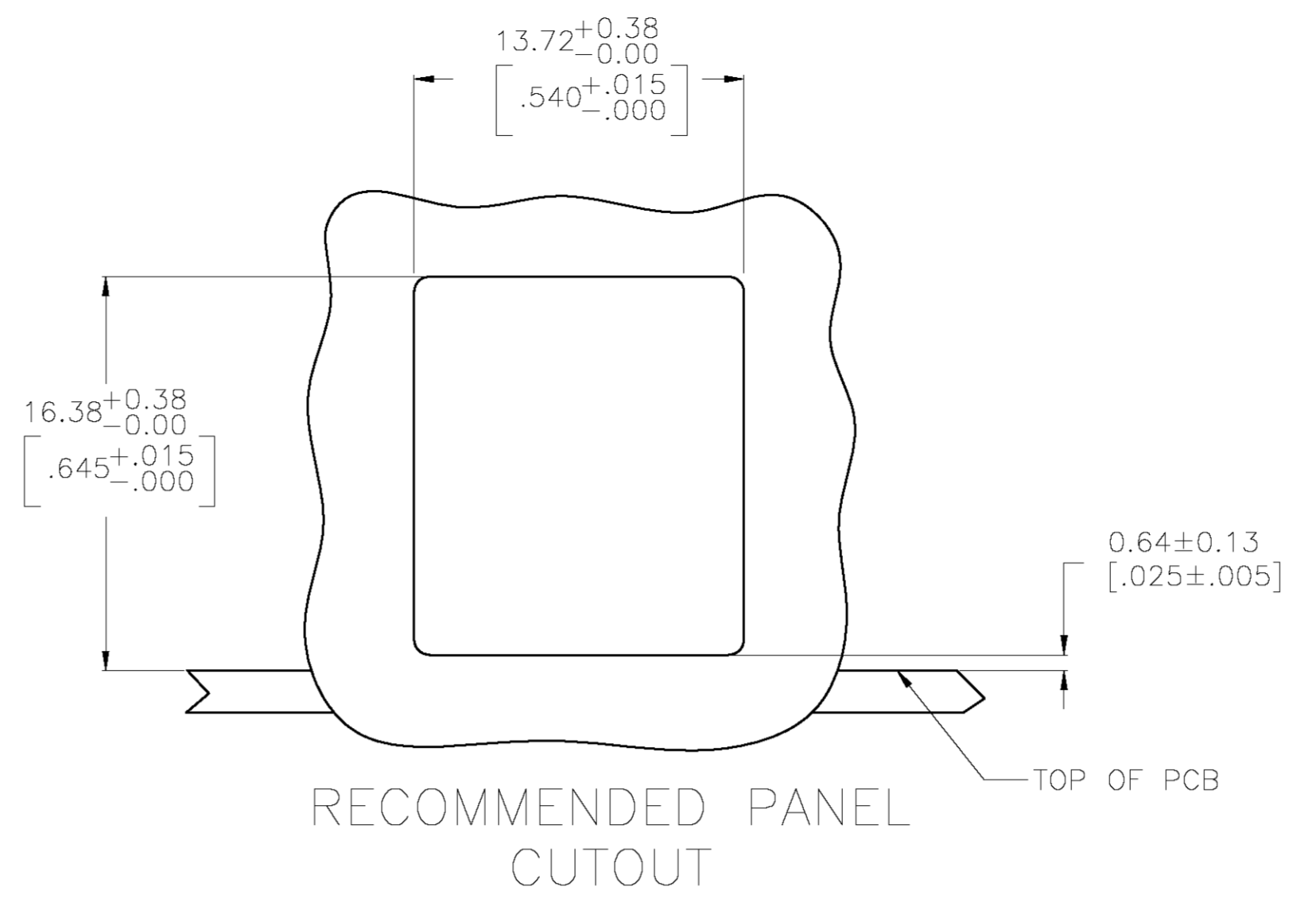
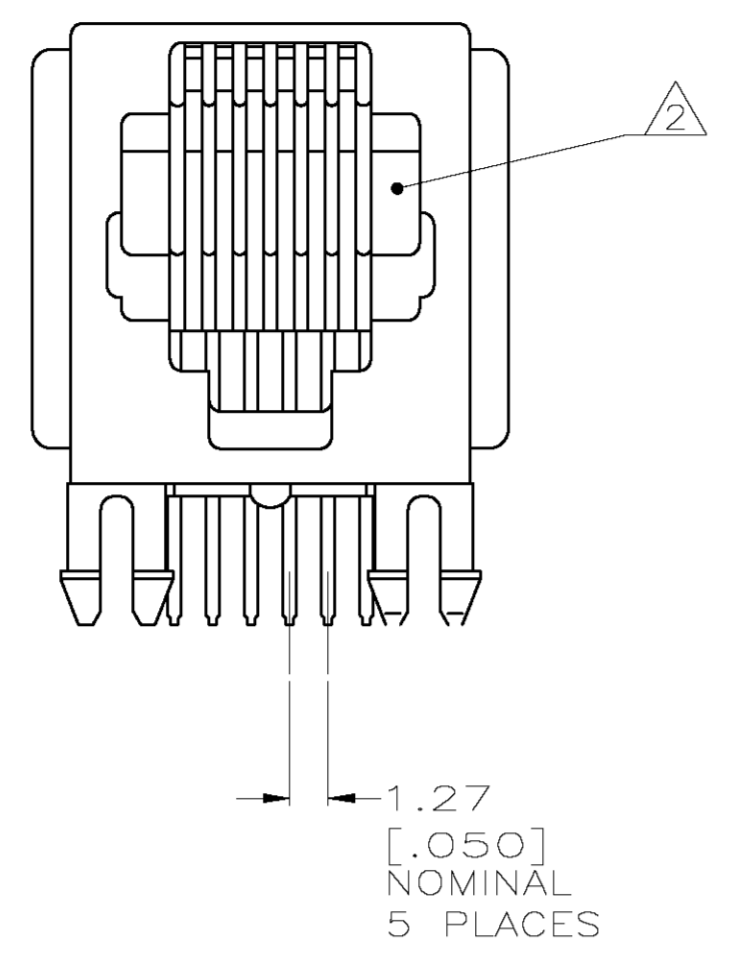
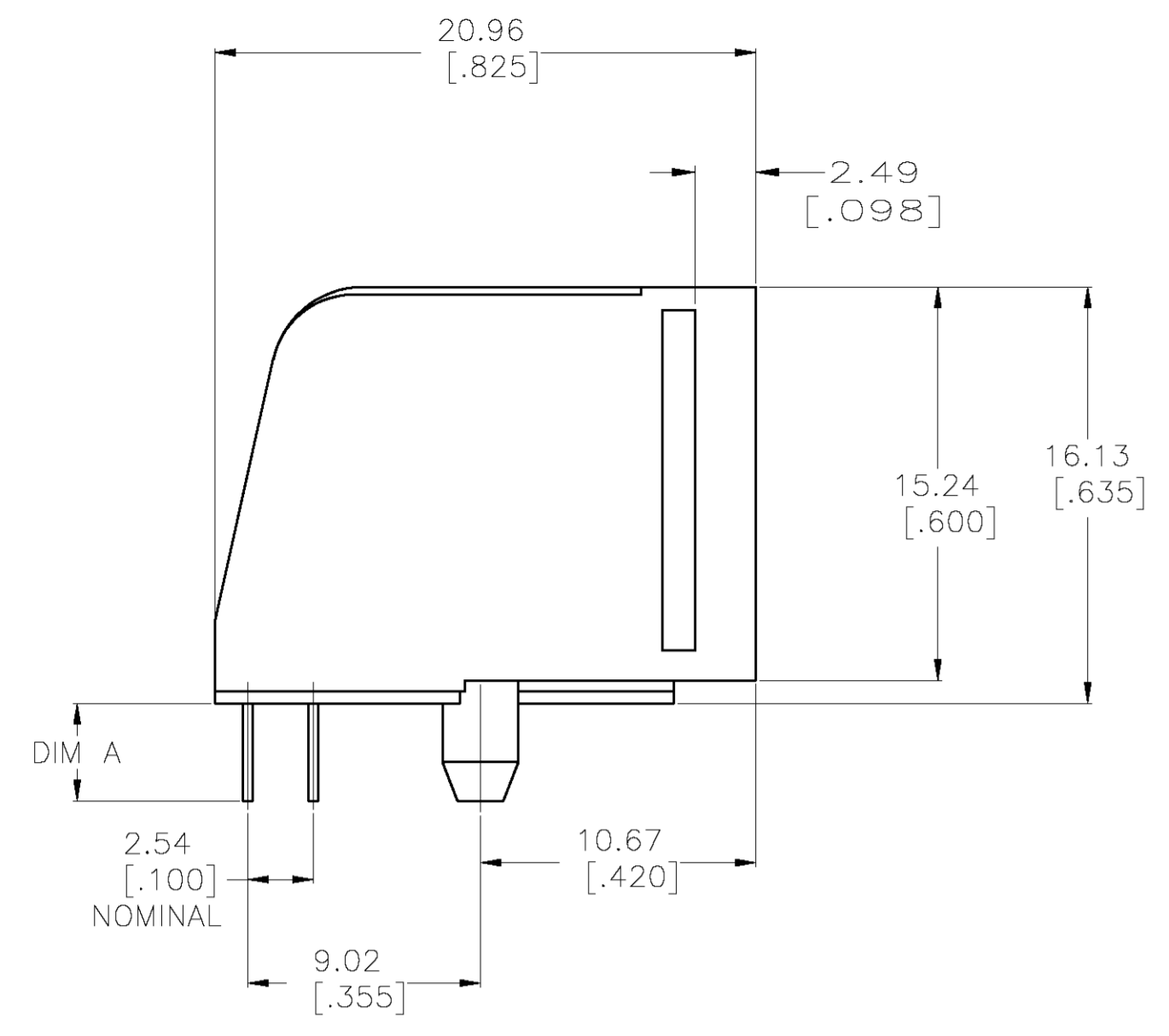
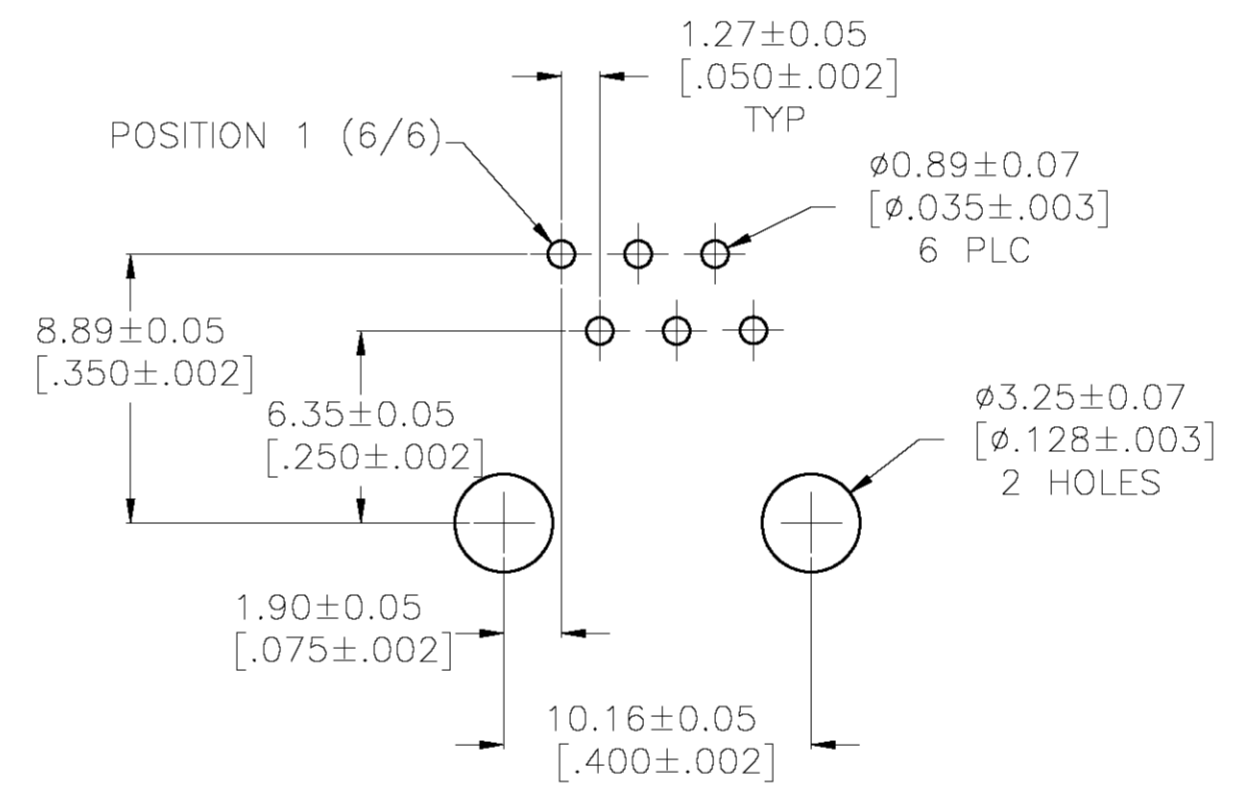
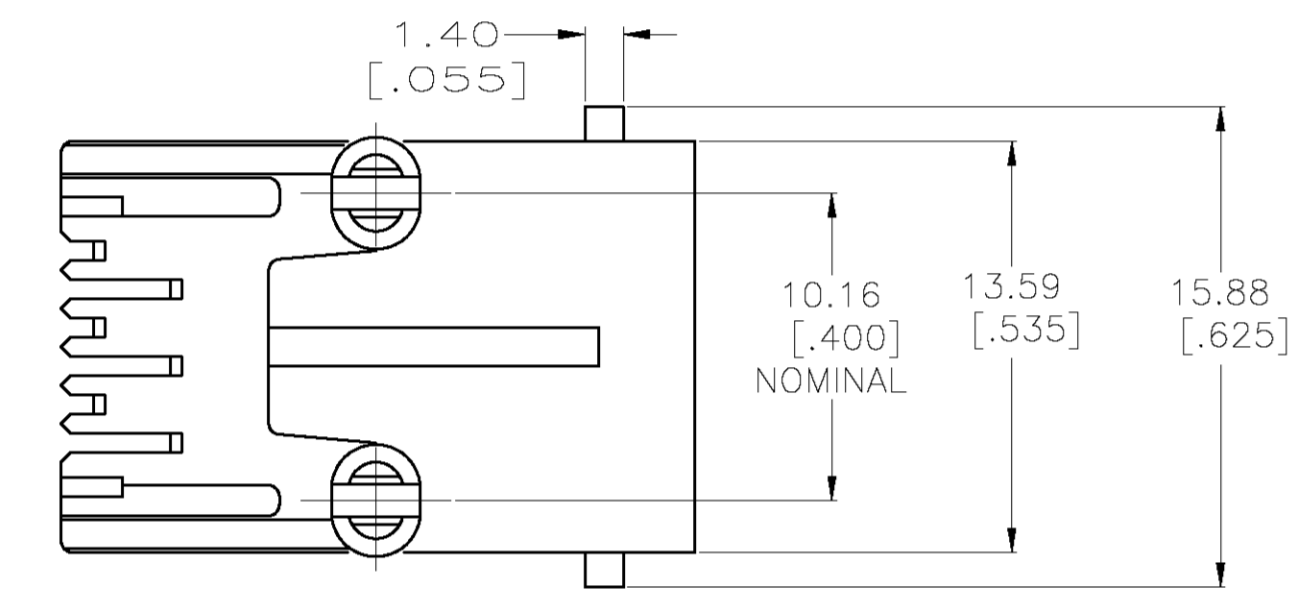


REVISONS		DATE	BY	APPV
AA	00	26JUN2008	LAM	PR



- MATERIAL:
 HOUSING - PBT POLYESTER, COLOR: BLACK
 TERMINAL - 0.36[.014] THICK PHOS BRONZE PLATED WITH (SEE TABLE) MIN HARD GOLD IN LOCALIZED GOLD PLATE AREA AND 2.03µm[.000080] MIN THICK MATTE TIN IN SOLDER AREA OVER 1.27µm[.000050] MIN THICK NICKEL UNDERPLATE
- CAVITY CONFORMS TO FCC RULES AND REGULATIONS PART 68 AND REA BULLETIN 345-81, PE-76 SPECIFICATION FOR MODULAR TELEPHONE HARDWARE.
- 0.15µm[.000006] GOLD PLATED PARTS DO NOT MEET THE MINIMUM GOLD THICKNESS REQUIREMENT OF FCC SPECIFICATION, PART 68. PARTS HAVE NOT BEEN TESTED TO THE DURABILITY REQUIREMENTS OF TE PRODUCT SPEC 108-1163
- TERMINALS FOR 5520250-1, -2, -11 AND -22 LOCATED IN CENTER POSITIONS
- DIMENSIONS ARE MAXIMUM UNLESS OTHERWISE SPECIFIED



RECOMMENDED PRINTED CIRCUIT BOARD LAYOUT COMPONENT SIDE SHOWN

GOLD THICKNESS	DIM A	TERMINALS REQUIRED	PART NUMBER
0.15µm[.000006] Δ	3.30-4.32 [.130-.170]	6	2-5520250-3
		4 Δ	2-5520250-2
1.27µm[.000050]	2.16-2.67 [.085-.105]	4 Δ	1-5520250-1
		6	5520250-3
		4 Δ	5520250-2
	3.30-4.32 [.130-.170]	2 Δ	5520250-1

THIS DRAWING IS A CONTROLLED DOCUMENT.

DIMENSIONS: mm (INCHES)	TOLERANCES UNLESS OTHERWISE SPECIFIED:	0 PLC ± -	1 PLC ± -	2 PLC ± 0.13(.005)	3 PLC ± -	4 PLC ± -	ANGLES ± -
-------------------------	--	-----------	-----------	--------------------	-----------	-----------	------------

APPROVED: S. FLICKINGER	DATE: 12MAY2005	NAME: S. FLICKINGER
DESIGNED: J. WESTMAN	DATE: 12MAY2005	NAME: J. WESTMAN
DRN: T. WOITEN/L.A. MAYER	DATE: 12MAY2005	NAME: T. WOITEN/L.A. MAYER

Tyco Electronics Corporation
 Harrisburg, PA 17105-3608

MODULAR JACK ASSEMBLY, 6 POSITION, SIDE ENTRY, FLANGELESS, WITH PANEL STOPS

108-1163

114-2048

00779-5520250

CUSTOMER DRAWING

SCALE: 4:1 SHEET 1 OF 1 REV D