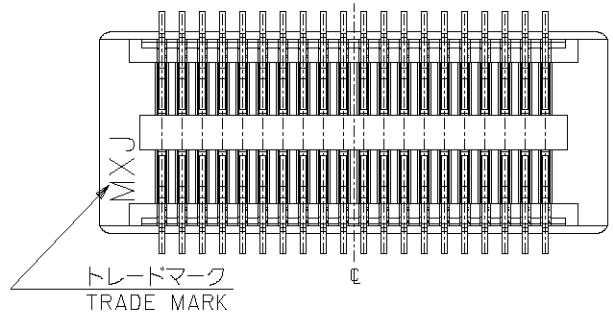
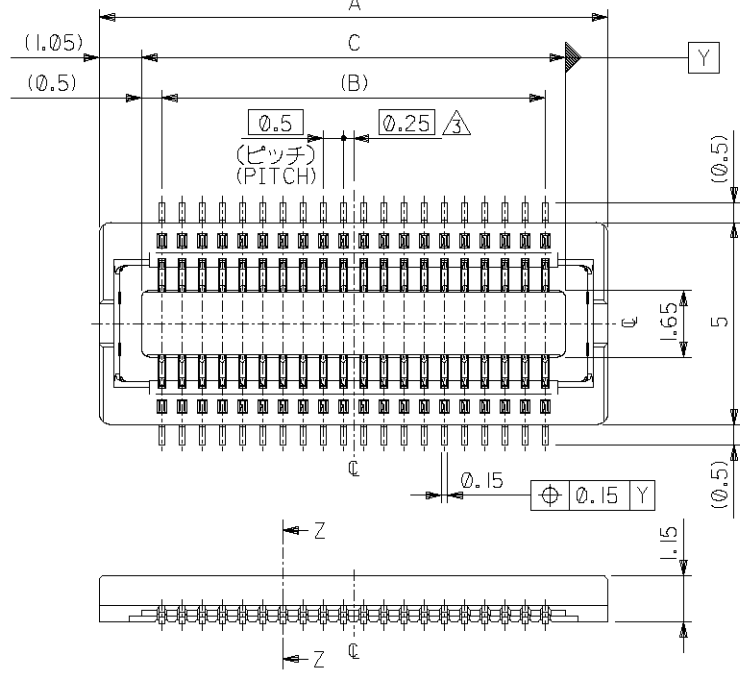
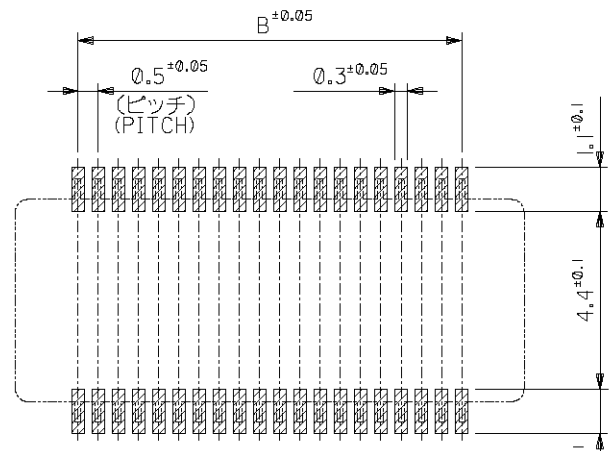


DWG. NO. SD-54722-007



注記 NOTES:

- 使用材料 MATERIAL  
 ハウジング: 液晶ポリマー ガラス充填, UL94V-0 (黒)  
 HOUSING: LIQUID CRYSTAL POLYMER (GLASS FILLED) UL94V-0, (COLOR: BLACK)  
 ターミナル: リン青銅 (t=0.15)  
 TERMINAL: PHOSPHOR BRONZE (t=0.15)
- メッキ仕様 PLATING  
 金メッキ 0.25 MICROMETER MINIMUM (CONTACT部)  
 GOLD 0.25 MICROMETER MINIMUM. (CONTACT AREA)  
 金メッキ 0.4 MICROMETER MAXIMUM (テール部)  
 GOLD 0.4 MICROMETER MAXIMUM. (TAIL AREA)  
 下地メッキ: ニッケルメッキ 1.5 MICROMETER MINIMUM  
 UNDER PLATING: NICKEL 1.5 MICROMETER MINIMUM



参考基板レイアウト (マウント面)  
 P.C. BOARD PATTERN DIMENSION. (REF.) (MOUNTING AREA)

30極以下品形状  
 SHAPE OF 30 CIRCUITS OR LESS

- ③ (全極数/2) = 偶数の場合に適用。  
 APPLY FOR (CIRCUIT/2) = EVEN.  
 4 嵌合相手: 55560 シリーズ, 53794 シリーズ  
 MATE WITH: 55560 SERIES, 53794 SERIES.  
 5 テール平坦度は 0.1 MAXIMUM.  
 TAIL COPLANARITY TO BE 0.1 MAXIMUM.

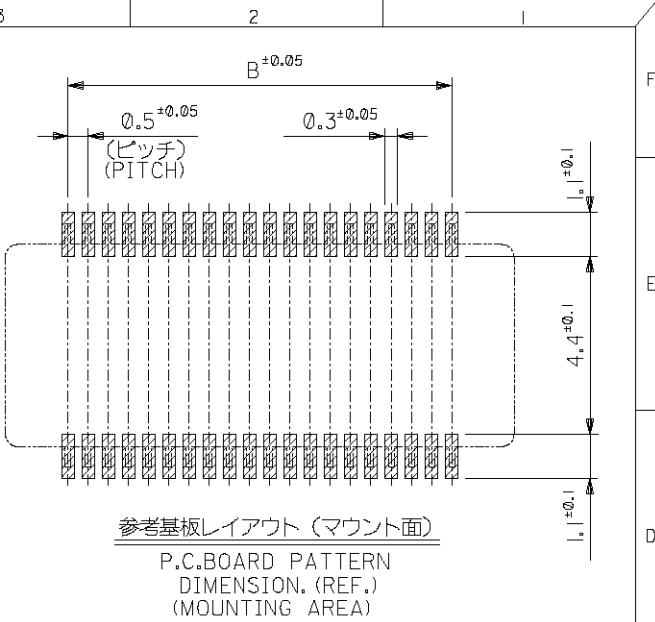
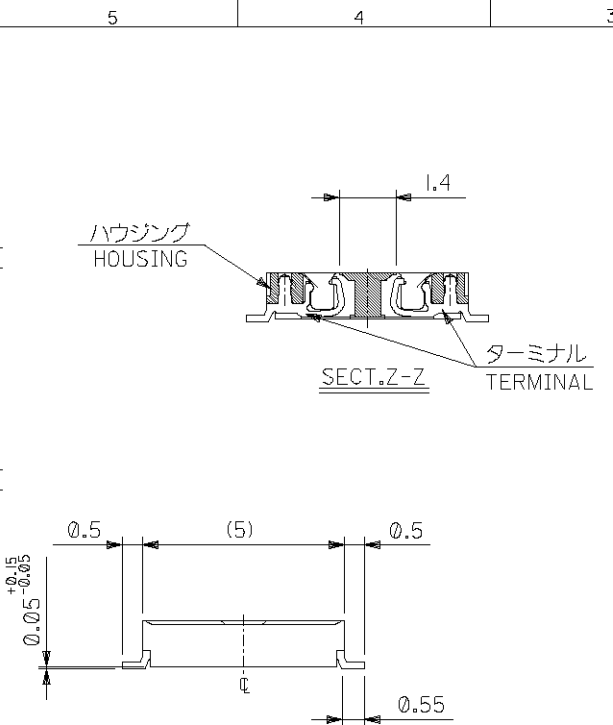
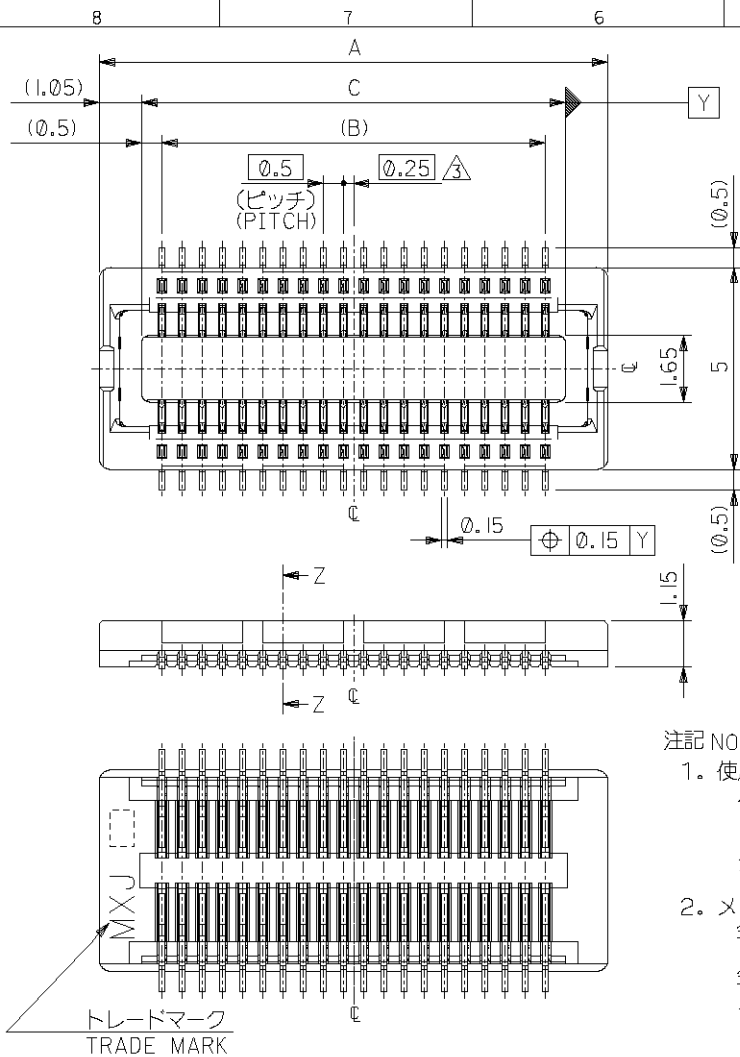
8.0	7.0	10.1	54722-0301	30
6.5	5.5	8.6	54722-0241	24
6.0	5.0	8.1	54722-0221	22
5.5	4.5	7.6	54722-0201	20
4.5	3.5	6.6	54722-0161	16
C	B	A	MATERIAL. NO	極数 CIRCUIT

DO NOT SCALE DRAWING

REVISED DRAWN: S. AIHARA '03/03/31 CHK: M. SASAO APPR: M. SASAO	REVISED DRAWN: J. YASUI '03/11/25 CHK: T. ITO APPR: T. ITO	REVISED DRAWN: T. YASUI '02/11/25 CHK: T. ITO APPR: T. YAMAGUCHI	MATERIAL 材料	注記参照 SEE NOTES	GENERAL TOLERANCES: (UNLESS SPECIFIED) 一般公差	SCALE #	DESIGN UNITS <input checked="" type="checkbox"/> mm <input type="checkbox"/> INCH	28° BORD ANGLE PROJECTION	DIMENSIONS: <input type="checkbox"/> mm <input type="checkbox"/> INCH <input checked="" type="checkbox"/> mm ONLY	SHT REVISE ON CAD ONLY	REV		
			FINISH 仕上げ									10 UNDER 未満	±0.2
			WIRE RANGE 適用規格範囲									10 OVER 30 UNDER 以上 未満	±0.25
			INS. RANGE 被覆外径									30 OVER 以上	±0.3
CAD FILENAME 54722007.S01			TITLE: 0.5 B-To-B Conn Rec HOUSING Assy (Hgt=1.5mm)			MATERIAL NO. SEE CHART			DRAWING NO. SD-54722-007		SHEET NO. 1 OF 2		
2888 DRAWING CONTAINS INFORMATION THAT IS PROPRIETARY TO MOLEX INCORPORATED AND SHOULD NOT BE USED WITHOUT WRITTEN PERMISSION.												SIZE B	

DWG. NO. SD-54722-007

DO NOT SCALE DRAWING



34極以上品形状  
SHAPE OF 34 CIRCUITS OR MORE

注記 NOTES:

1. 使用材料 MATERIAL  
 ハウジング: 液晶ポリマー ガラス充填, UL94V-0 (黒)  
 HOUSING: LIQUID CRYSTAL POLYMER (GLASS FILLED)  
 UL94V-0, (COLOR: BLACK)  
 ターミナル: リン青銅 (t=0.15)  
 TERMINAL: PHOSPHOR BRONZE (t=0.15)
2. メッキ仕様 PLATING  
 金メッキ 0.25 MICROMETER MINIMUM (コンタクト部)  
 GOLD 0.25 MICROMETER MINIMUM. (CONTACT AREA)  
 金メッキ 0.4 MICROMETER MAXIMUM (テール部)  
 GOLD 0.4 MICROMETER MAXIMUM. (TAIL AREA)  
 下地メッキ: ニッケルメッキ 1.5 MICROMETER MINIMUM  
 UNDER PLATING: NICKEL 1.5 MICROMETER MINIMUM

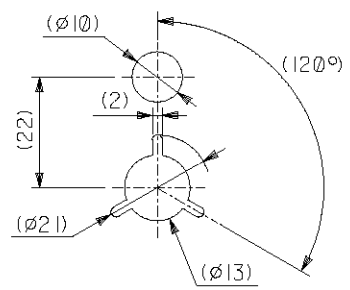
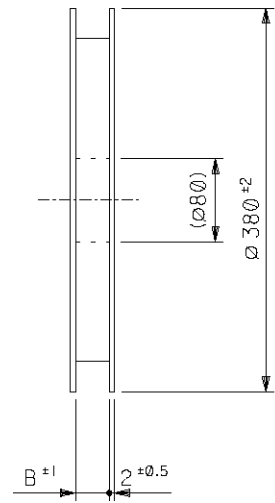
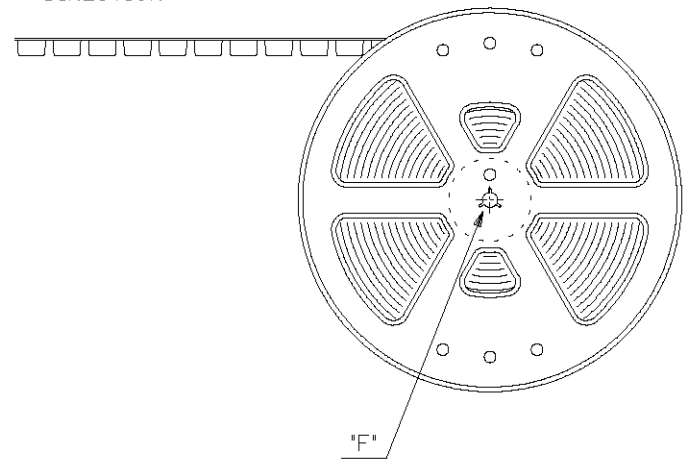
- △ (全極数/2) = 偶数の場合に適用。  
 APPLY FOR (CIRCUIT/2)=EVEN.  
 4 嵌合相手: 55560 シリーズ, 53794 シリーズ  
 MATE WITH: 55560 SERIES, 53794 SERIES.  
 5 テール平坦度は, 0.1 MAXIMUM.  
 TAIL COPLANARITY TO BE 0.1 MAXIMUM.

20.5	19.5	22.6	54722-0801	80
15.5	14.5	17.6	54722-0601	60
13.0	12.0	15.1	54722-0501	50
12.0	11.0	14.1	54722-0461	46
10.5	9.5	12.6	54722-0401	40
9.0	8.0	11.1	54722-0341	34
C	B	A	MATERIAL. NO	極数 CIRCUIT

204 NO. DRAWN: CH'K: APPR: 203 NO. DRAWN: CH'K: APPR: 202 NO. DRAWN: CH'K: APPR: 201 NO. DRAWN: CH'K: APPR:	REVISED 200 NO. J2003-2517 DRAWN: S.AIHARA '03/03/31 CH'K: M.SASAO APPR: M.SASAO	MATERIAL 材料 注記参照 SEE NOTES FINISH 仕上げ 〃 WIRE RANGE 適用電線規格 〃 INS. RANGE 被覆外径 〃	GENERAL TOLERANCES: (UNLESS SPECIFIED) 一般公差	SCALE 1/1 DESIGN UNITS <input checked="" type="checkbox"/> mm <input type="checkbox"/> INCH	DIMENSIONS: <input type="checkbox"/> mm <input type="checkbox"/> INCH <input checked="" type="checkbox"/> mm ONLY	SHT 2 REV 2 REVISE ON CAD ONLY
			10 UNDER 未滿 ±0.2 10 OVER 30 UNDER 未滿 ±0.25 30 OVER 以上 ±0.3	DRAWN BY & DATE S.AIHARA '01/02/13 CHECKED BY & DATE M.SASAO '03/03/31 APPROVED BY & DATE M.SASAO '03/03/31	TITLE: 0.5 B-To-B Conn Rec HOUSING Assy (Hgt=1.5mm)	
			ANGLE 角度 ±3°	CAD FILENAME 54722007.S02	MOLEX INCORPORATED	
			MATERIAL NO. SEE CHART	DRAWING NO. SD-54722-007	SHEET NO. 2 OF 2	

DWG. NO. SD-54722-008

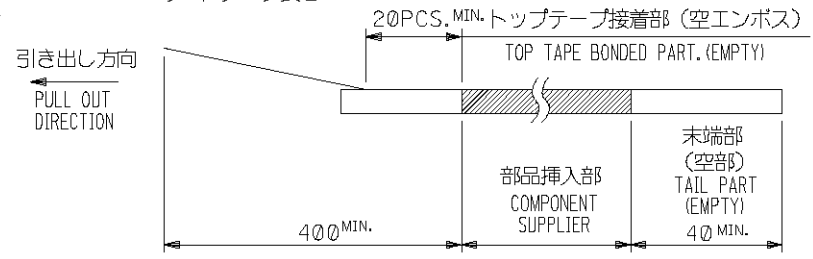
引き出し方向  
PULL OUT DIRECTION



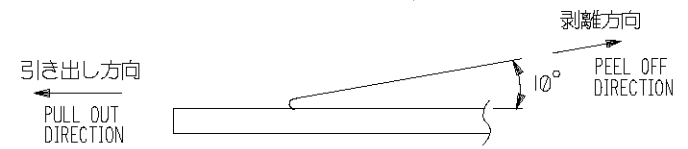
DETAIL "F"

注記 NOTES

- 製品詳細寸法については図面 SD-54722-007 を参照下さい。  
RE DETAILED DIMENSION, SEE SD-54722-007
- 梱包数量：3000個/リール  
NUMBER OF CONNECTORS : 3000PCS/REEL
- リードテープ長さ LEAD TAPE LENGTH



- トップテープの剥離強度： $0.1N \sim 0.7N(10.2gf \sim 71.4gf)$   
(剥離方向は下図参照)  
尚、本規格値は出荷時に適用。(但し、輸送時に剥離が発生しないこと。)  
PEELING OFF FORCE OF TOP TAPE :  $0.1N \sim 0.7N(10.2gf \sim 71.4gf)$   
(PEELING DIRECTION AS SHOWN IN FOLLOWING FIG.)  
THIS REQUIREMENT SHOULD BE APPLIED AT SHIPMENT.  
PEEL OFF SHOULD NOT BE ALLOWED , DURING TRANSPORTATION.

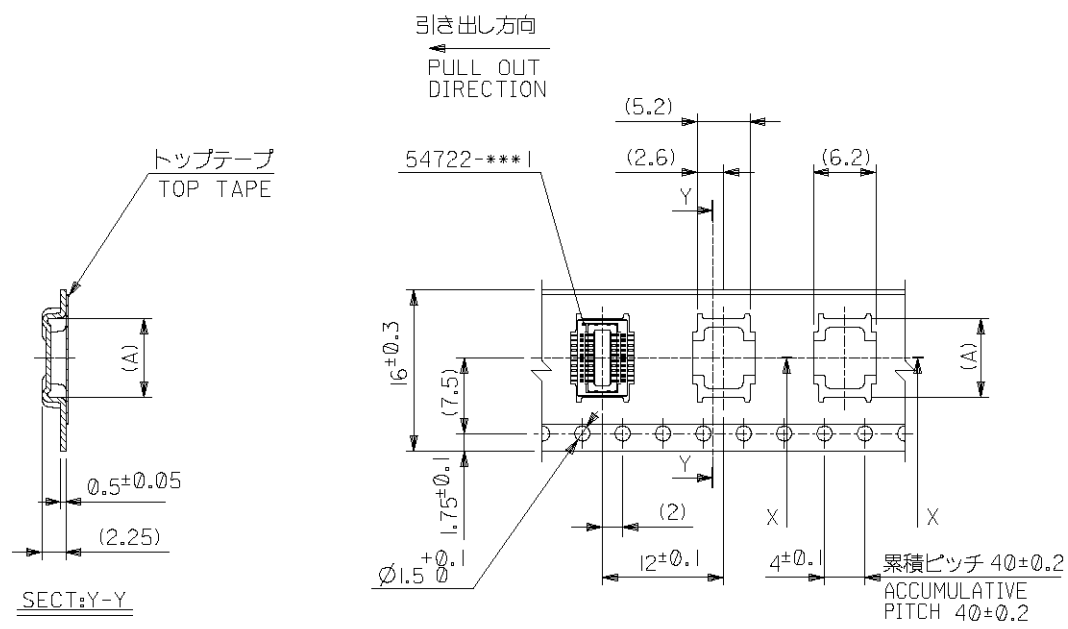


- 材料  
キャリアテープ：ポリプロピレン (PP)  
トップテープ：PET, PE, PEF  
リール：ポリスチレン (PS) <リサイクル材を含む>

MATERIAL CARRIER TAPE: POLYPROPYLENE  
TOP TAPE: PET, PE, PEF  
REEL: POLYSTYRENE (PS)  
<RECYCLE MATERIAL CONTAINED>

DO NOT SCALE DRAWING

EC NO. DRAWN CHK'g APPR.	REVISED EC NO. J2004-1680 DRAWN: K.SETO '03/12/22 CHK'g: H.TAKASE APPR: J.MIYAZAWA	REVISED EC NO. J2003-2517 DRAWN: S.AIHARA '03/03/31 CHK'g: M.SASAO APPR: M.SASAO	REVISED EC NO. J2003-1929 DRAWN: T.YASUI '03/1/23 CHK'g: T.IITO APPR: T.IITO	REVISED EC NO. J2003-1468 DRAWN: T.YASUI '02/11/25 CHK'g: T.IITO APPR: T.YAMAGUCHI	MATERIAL 材料 注記参照 SEE NOTES	GENERAL TOLERANCES: (UNLESS SPECIFIED) 一般公差	SCALE //	MODEL NO. 54722-***7	DIMENSIONS: SHT REV REVISE ON CAD ONLY		
	H	G	F	E	FINISH 仕上げ //	10 UNDER 未満 $\pm 0.2$	DRAWN BY & DATE S.AIHARA '00/10/6	DESIGN UNITS <input checked="" type="checkbox"/> mm <input type="checkbox"/> INCH	<input type="checkbox"/> THIRD ANGLE <input type="checkbox"/> PROJECTION	<input type="checkbox"/> mm <input type="checkbox"/> INCH <input checked="" type="checkbox"/> mm ONLY	
					WIRE RANGE 適用導線範囲 //	10 OVER 30 UNDER 以上 未満 $\pm 0.25$	CHECKED BY & DATE M.SASAO '03/03/31	TITLE: 0.5 B-To-B Conn Rec Assy (Hgt=1.5) Embstp Pkg			
					INS. RANGE 被覆外径 //	30 OVER 以上 $\pm 0.3$	APPROVED BY & DATE M.SASAO '03/03/31	MOLEX INCORPORATED			
						ANGLE 角度 $\pm 3^\circ$	CAD FILENAME 54722008.S01	MATERIAL NO. SEE CHART	DRAWING NO. SD-54722-008	SHEET NO. 1 OF 5	
								THIS DRAWING CONTAINS INFORMATION THAT IS PROPRIETARY TO MOLEX INCORPORATED AND SHOULD NOT BE USED WITHOUT WRITTEN PERMISSION.			SIZE B



16mm幅キャリアテープ  
16mm WIDTH CARRIER TAPE

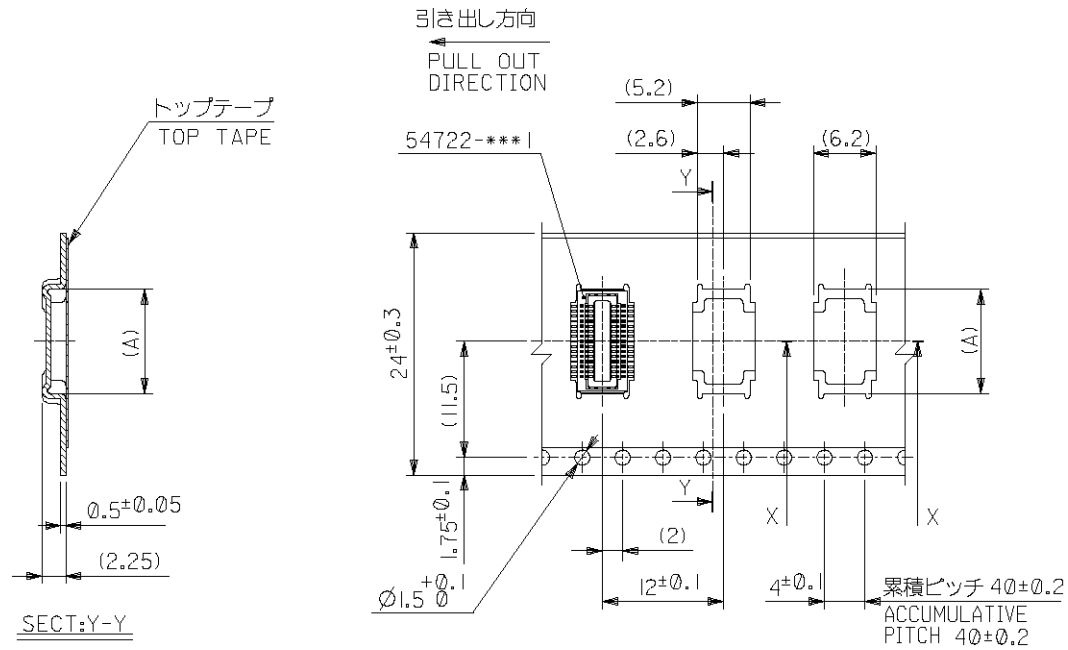
16	17.5	7.8	54722-0207	20
キャリアテープ幅 CARRIER TAPE WIDTH		B	(A)	極数 CIRCUIT
MODEL NO.		54722-***7		DIMENSIONS: SHT   REV
SCALE		DESIGN UNITS		REVISIONS
//		☑ mm ☐ INCH		REVISIONS ON CAD ONLY

EC NO. DRAWN: CHK'g: APPR:	REVISED EC NO. J2004-1680 DRAWN: K.SETO '03/12/22 CHK'g: H.TAKASE APPR: J.MIYAZAWA	REVISED EC NO. J2003-2517 DRAWN: S.AIHARA '03/03/31 CHK'g: M.SASAO APPR: M.SASAO	REVISED EC NO. J2003-1929 DRAWN: T.YASUI '03/1/23 CHK'g: T.IITO APPR: T.IITO	REVISED EC NO. J2003-1468 DRAWN: T.YASUI '02/11/25 CHK'g: T.IITO APPR: T.YAMAGUCHI
H	G	F	E	

MATERIAL 材料	SHEET 1 OF 5 参照 REFER TO SHEET 1 OF 5	
FINISH 仕上げ	//	
WIRE RANGE 適用導線規格	//	
INS. RANGE 被覆外径	//	

GENERAL TOLERANCES: (UNLESS SPECIFIED) 一般公差	SCALE	DESIGN UNITS	THIRD ANGLE PROJECTION
10 UNDER 未滿	//	☑ mm ☐ INCH	☉
10 OVER 以上	±0.2		
30 UNDER 未滿	±0.25		
30 OVER 以上	±0.3		
ANGLE 角度	±3°		

DRAWN BY & DATE S.AIHARA '00/10/ 6		TITLE: 0.5 B-To-B Conn Rec Assy (Hgt=1.5) Embstp Pkg	
CHECKED BY & DATE M.SASAO '03/03/31		MOLEX INCORPORATED	
APPROVED BY & DATE M.SASAO '03/03/31		MATERIAL NO. SEE CHART	
CAD FILENAME 54722008.S02		DRAWING NO. SD-54722-008	
THIS DRAWING CONTAINS INFORMATION THAT IS PROPRIETARY TO MOLEX INCORPORATED AND SHOULD NOT BE USED WITHOUT WRITTEN PERMISSION.		SHEET NO. 2 OF 5	
		SIZE B	

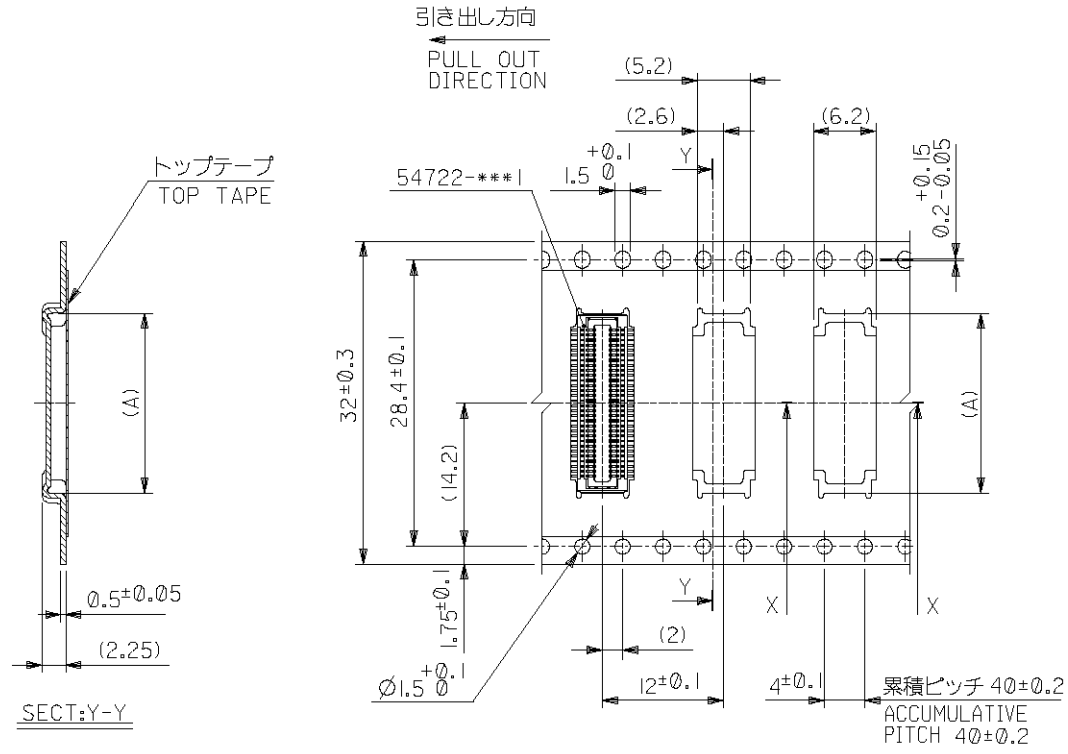


24mm幅キャリアテープ  
24mm WIDTH CARRIER TAPE

24	25.5	15.3	54722-0507	50	
		14.3	54722-0467	46	
		12.8	54722-0407	40	
		11.3	54722-0347	34	
		10.3	54722-0307	30	
		8.8	54722-0247	24	
	8.3	54722-0227	22		
キャリアテープ幅 CARRIER TAPE WIDTH		B	(A)	MATERIAL NO.	極数 CIRCUIT

DO NOT SCALE DRAWING

EC NO. DRAWN: CHK'g: APPR:	REVISED EC NO. J2004-1680 DRAWN: K.SETO '03/12/22 CHK'g: H.TAKASE APPR: J.MIYAZAWA	REVISED EC NO. J2003-2517 DRAWN: S.AIHARA '03/03/31 CHK'g: M.SASAO APPR: M.SASAO	REVISED EC NO. J2003-1929 DRAWN: T.YASUI '03/1/23 CHK'g: T.IITO APPR: T.IITO	REVISED EC NO. J2003-1468 DRAWN: T.YASUI '02/11/25 CHK'g: T.IITO APPR: T.YAMAGUCHI	MATERIAL 材料 SHEET 1 OF 5 参照 REFER TO SHEET 1 OF 5	GENERAL TOLERANCES: (UNLESS SPECIFIED) 一般公差	SCALE //	DESIGN UNITS <input checked="" type="checkbox"/> mm <input type="checkbox"/> INCH	THIRD ANGLE PROJECTION <input checked="" type="checkbox"/> mm <input type="checkbox"/> INCH	SHT REV	REVISE ON CAD ONLY	
	H	G	F	E	FINISH 仕上げ //	10 UNDER 未満	±0.2	DRAWN BY & DATE S.AIHARA '00/10/6	TITLE: 0.5 B-To-B Conn Rec Assy (Hgt=1.5) Embstp Pkg			
					WIRE RANGE 適用導線範囲 //	10 OVER 30 UNDER 未満	±0.25	CHECKED BY & DATE M.SASAO '03/03/31	MOLEX INCORPORATED			
					INS. RANGE 被覆外径 //	30 OVER 以上	±0.3	APPROVED BY & DATE M.SASAO '03/03/31	CAD FILENAME 54722008.S03	MATERIAL NO. SEE CHART	DRAWING NO. SD-54722-008	SHEET NO. 3 OF 5
						ANGLE 角度	±3°	THIS DRAWING CONTAINS INFORMATION THAT IS PROPRIETARY TO MOLEX INCORPORATED AND SHOULD NOT BE USED WITHOUT WRITTEN PERMISSION.			SIZE B	



32mm幅キャリアテープ  
32mm WIDTH CARRIER TAPE

32	33.5	17.8	54722-0607	60
キャリアテープ幅 CARRIER TAPE WIDTH		B	(A)	極数 CIRCUIT
MODEL NO.		54722-***7		DIMENSIONS:

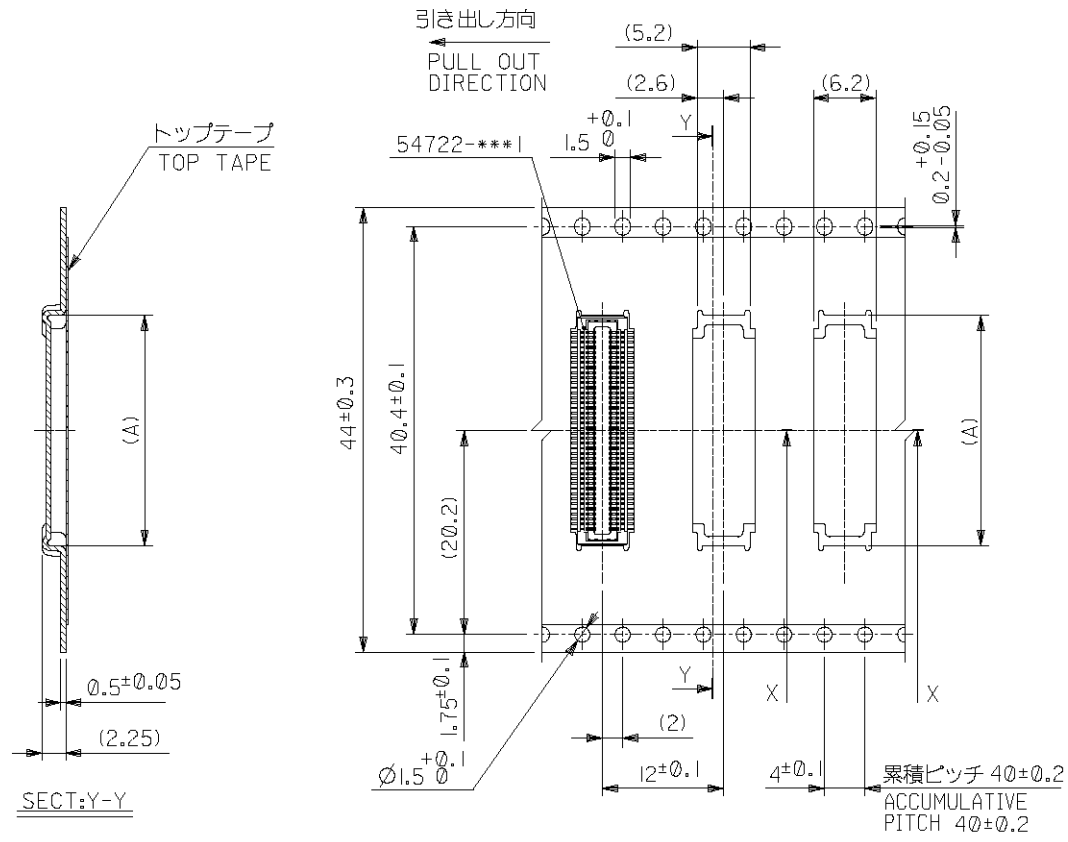
EC NO. DRAWN: CHK'g: APPR:	REVISED EC NO. J2004-1680 DRAWN: K.SETO '03/12/22 CHK'g: H.TAKASE APPR: J.MIYAZAWA	REVISED EC NO. J2003-2517 DRAWN: S.AIHARA '03/03/31 CHK'g: M.SASAO APPR: M.SASAO	REVISED EC NO. J2003-1929 DRAWN: T.YASUI '03/1/23 CHK'g: T.IITO APPR: T.IITO	REVISED EC NO. J2003-1468 DRAWN: T.YASUI '02/11/25 CHK'g: T.IITO APPR: T.YAMAGUCHI
H	G	F	E	

MATERIAL 材料	SHEET 1 OF 5 参照 REFER TO SHEET 1 OF 5	
FINISH 仕上げ	//	
WIRE RANGE 適用導線規格	//	
INS. RANGE 被覆外径	//	

GENERAL TOLERANCES: (UNLESS SPECIFIED) 一般公差	
10 UNDER 未満	±0.2
10 OVER 30 UNDER 以上 未満	±0.25
30 OVER 以上	±0.3
ANGLE 角度	±3°

SCALE //	DESIGN UNITS <input checked="" type="checkbox"/> mm <input type="checkbox"/> INCH	THIRD ANGLE PROJECTION <input checked="" type="checkbox"/>	SHT REVISE ON CAD ONLY
DRAWN BY & DATE T.YASUI '02/11/25		TITLE: 0.5 B-To-B Conn Rec Assy (Hgt=1.5) Embstp Pkg	
CHECKED BY & DATE M.SASAO '03/03/31		MOLEX INCORPORATED	
APPROVED BY & DATE M.SASAO '03/03/31		MATERIAL NO. SEE CHART	
CAD FILENAME 54722008.S05		DRAWING NO. SD-54722-008	
THIS DRAWING CONTAINS INFORMATION THAT IS PROPRIETARY TO MOLEX INCORPORATED AND SHOULD NOT BE USED WITHOUT WRITTEN PERMISSION.		SHEET NO. 4 OF 5 SIZE B	

DO NOT SCALE DRAWING



44mm幅キャリアテープ  
44mm WIDTH CARRIER TAPE

44	45.5	22.8	54722-0807	80
キャリアテープ幅 CARRIER TAPE WIDTH		B	(A)	極数 CIRCUIT
MODEL NO.		54722-***7		DIMENSIONS: SHT REV
SCALE		DESIGN UNITS		THIRD ANGLE PROJECTION
10 UNDER 未滿		mm INCH		mm ONLY
10 OVER 以上		mm ONLY		REVISION ON CAD ONLY
30 OVER 以上		mm ONLY		REVISION ON CAD ONLY
ANGLE 角度		3°		

EC NO. DRAWN CHK'g APPR.	REVISED EC NO. J2004-1680 DRAWN: K.SETO '03/12/22 CHK'g: H.TAKASE APPR: J.MIYAZAWA	REVISED EC NO. J2003-2517 DRAWN: S.AIHARA '02/03/31 CHK'g: M.SASAO APPR: M.SASAO	REVISED EC NO. J2003-1929 DRAWN: T.YASUI '03/1/23 CHK'g: T.IITO APPR: T.IITO	REVISED EC NO. J2003-1468 DRAWN: T.YASUI '02/11/25 CHK'g: T.IITO APPR: T.YAMAGUCHI	MATERIAL 材料 SHEET 1 OF 5 参照 REFER TO SHEET 1 OF 5
	H	G	F	E	FINISH 仕上げ //
					WIRE RANGE 適用 導線 範圍 //
					INS. RANGE 被覆 外徑 //

GENERAL TOLERANCES: (UNLESS SPECIFIED) 一般公差		SCALE	DESIGN UNITS	THIRD ANGLE PROJECTION	TITLE: 0.5 B-To-B Conn Rec Assy (Hgt=1.5) Embstp Pkg
10 UNDER 未滿	±0.2	1:1	mm INCH	mm ONLY	MOLEX INCORPORATED
10 OVER 以上	±0.25				
30 OVER 以上	±0.3				
ANGLE 角度	±3°				CAD FILENAME 54722008.S04
				MATERIAL NO.	DRAWING NO.
				SEE CHART	SD-54722-008
				SHEET NO.	5 OF 5
THIS DRAWING CONTAINS INFORMATION THAT IS PROPRIETARY TO MOLEX INCORPORATED AND SHOULD NOT BE USED WITHOUT WRITTEN PERMISSION.					SIZE B

DO NOT SCALE DRAWING