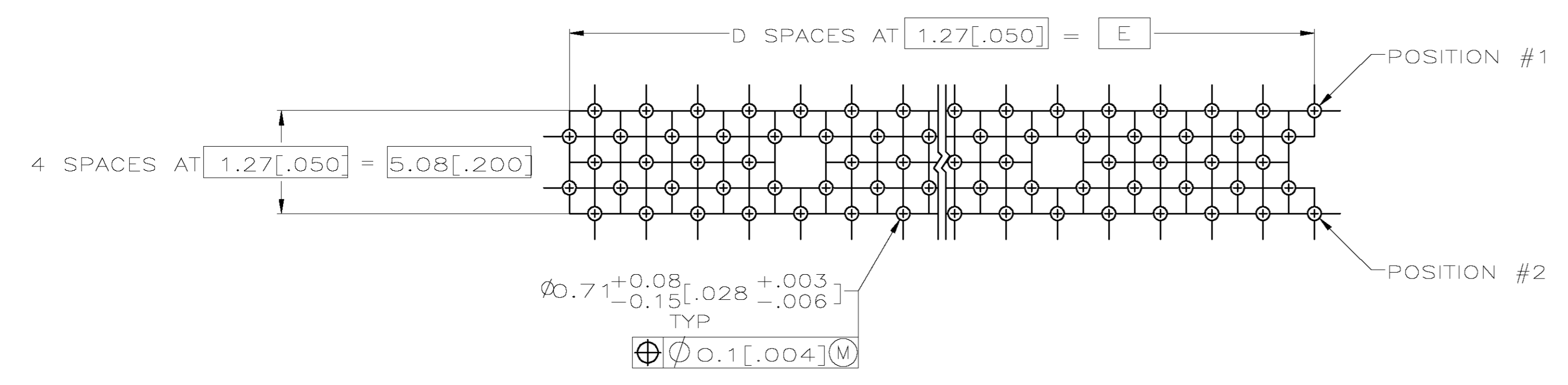
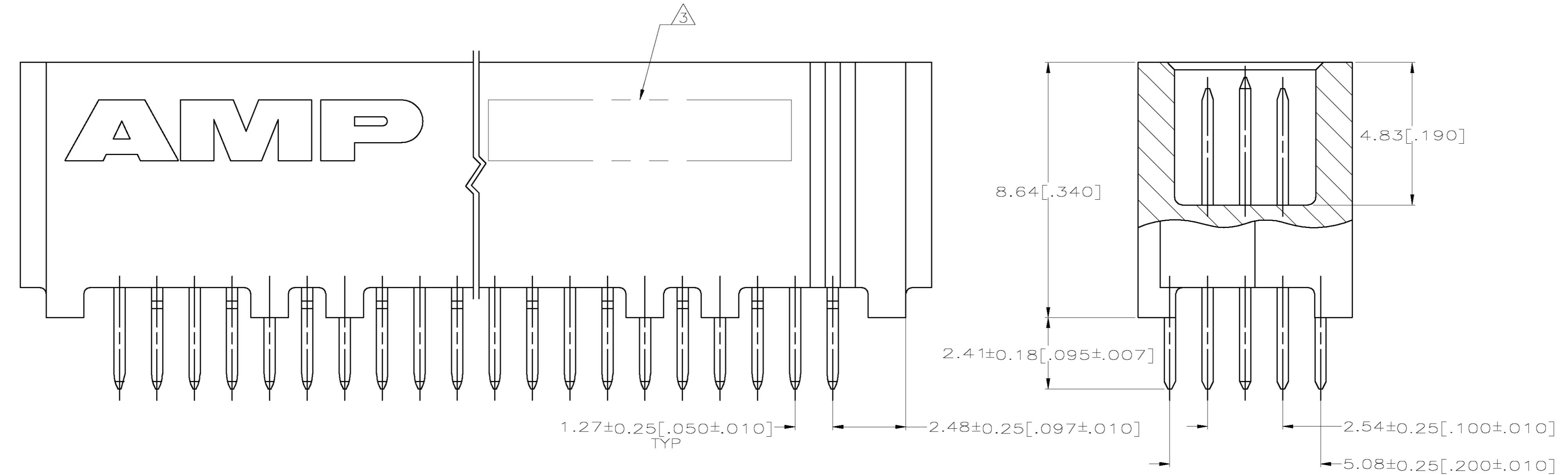


⚠ HOUSING: HIGH TEMPERATURE THERMOPLASTIC, COLOR NATURAL.
 PIN CONTACTS: PHOSPHOR BRONZE.
 GROUND BUSSES: PHOSPHOR BRONZE.

⚠ PIN CONTACTS: 0.00076[.000030] MIN GOLD IN CONTACT AREA,
 0.00254-0.00762[.000100-.000300] TIN-LEAD ON SOLDER TAIL,
 ALL OVER 0.00127-0.00254[.000050-.000100] NICKEL ON ENTIRE CONTACT.

GROUND BUSSES: 0.00076[.000030] MIN GOLD IN CONTACT AREA,
 0.00254-0.00762[.000100-.000300] TIN-LEAD ON SOLDER TAIL,
 ALL OVER 0.00127-0.00254[.000050-.000100] NICKEL ON ENTIRE BUS.

⚠ DATE CODE MARKED IN AREA INDICATED.



	151.13 [5.950]	119	153.62 [6.048]	156.08 [6.145]	157.84 [6.214]	240	1-536280-1
OBSOLETE	138.43 [5.450]	109	140.92 [5.548]	143.38 [5.645]	145.14 [5.714]	220	1-536280-0
OBSOLETE	125.73 [4.950]	99	128.22 [5.048]	130.68 [5.145]	132.44 [5.214]	200	536280-9
	113.03 [4.450]	89	115.52 [4.548]	117.98 [4.645]	119.74 [4.714]	180	536280-8
	100.33 [3.950]	79	102.82 [4.048]	105.28 [4.145]	107.04 [4.214]	160	536280-7
OBSOLETE	87.63 [3.450]	69	90.12 [3.548]	92.58 [3.645]	94.34 [3.714]	140	536280-6
	74.93 [2.950]	59	77.42 [3.048]	79.88 [3.145]	81.64 [3.214]	120	536280-5
	62.23 [2.450]	49	64.72 [2.548]	67.18 [2.645]	68.94 [2.714]	100	536280-4
	49.53 [1.950]	39	52.02 [2.048]	54.48 [2.145]	56.24 [2.214]	80	536280-3
OBSOLETE	36.83 [1.450]	29	39.32 [1.548]	41.78 [1.645]	43.54 [1.714]	60	536280-2
	24.13 [.950]	19	26.62 [1.048]	29.08 [1.145]	30.84 [1.214]	40	536280-1
	E	D	C	B	A	NO OF POS	PART NUMBER

RECOMMENDED PC BOARD HOLE LAYOUT
 (VIEWED FROM CONNECTOR SIDE)
 SCALE 5:1

THIS DRAWING IS A CONTROLLED DOCUMENT.

DIMENSIONS: mm [INCHES]	TOLERANCES UNLESS OTHERWISE SPECIFIED:	0. PLC ± -	1. PLC ± -	2. PLC ± -	3. PLC ± 0.13 [.005]	4. PLC ± -	ANGLES ± -	FINISH
		TO FRANGES UNLESS OTHERWISE SPECIFIED: 0. PLC ± - 1. PLC ± - 2. PLC ± - 3. PLC ± 0.13 [.005] 4. PLC ± - ANGLES ± - FINISH						

MATERIAL: Δ -

THIS DRAWING IS A CONTROLLED DOCUMENT.

DWN	J.GERACE	3-27-92	Tyco Electronics Corporation Harrisburg, PA 17105-3608
CHK	J.GERACE	3-27-92	
APP'D	J.GERACE	3-27-92	
PRODUCT SPEC	PLUG ASSEMBLY, 10.92[.430]		
APPLICATION SPEC	STACK, 2.41[.095] SOLDER TAIL, BOARD TO BOARD, MICRO-STRIP		
SIZE	A1	CAGE CODE	DRAWING NO
WEIGHT	-	114-11005	00779
CUSTOMER DRAWING	SCALE	10:1	SHEET 1 OF 1