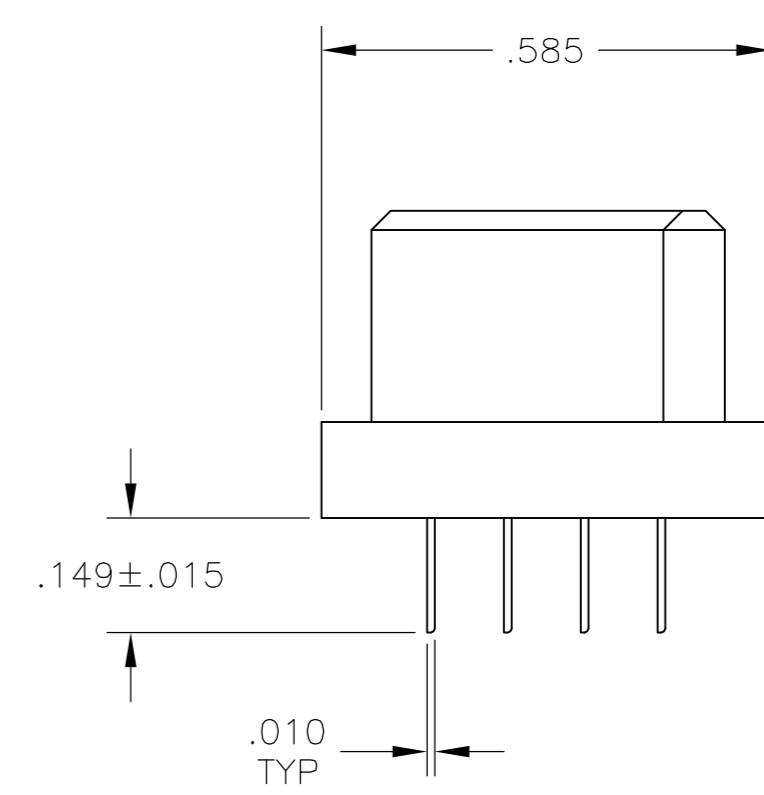
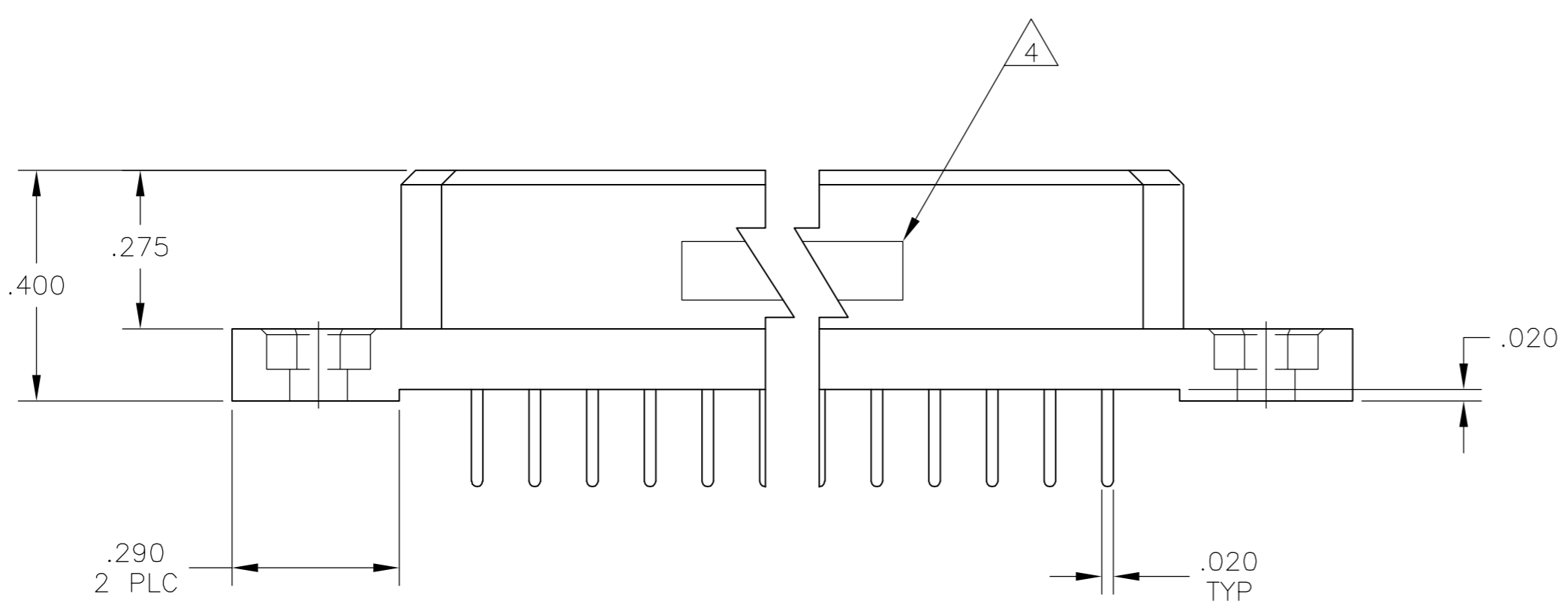
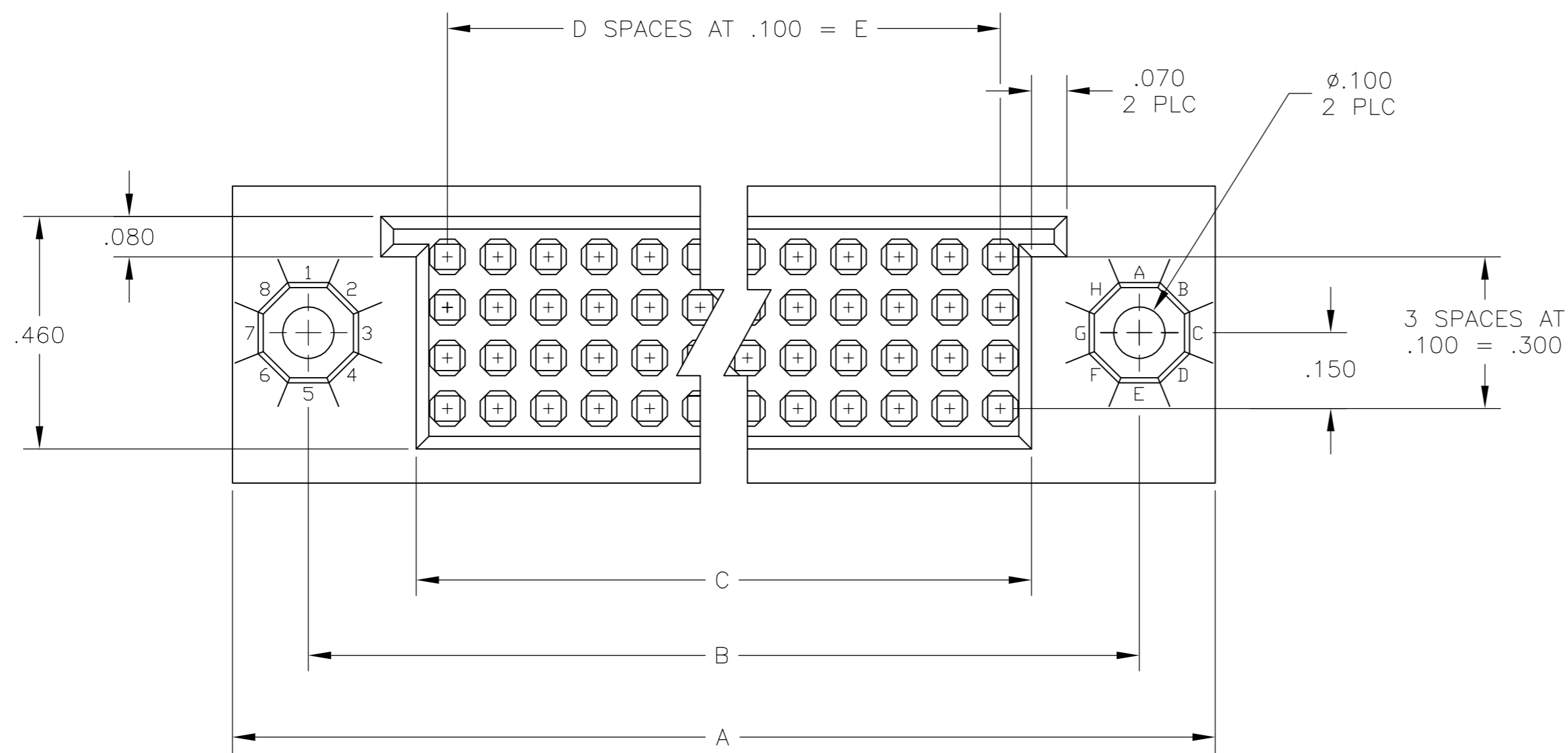


THIS DRAWING IS UNPUBLISHED. RELEASED FOR PUBLICATION - N/A .
 © COPYRIGHT N/A BY TYCO ELECTRONICS CORPORATION. ALL RIGHTS RESERVED.

Loc		DIST		REVISIONS			
AD	25	P	LTR	DESCRIPTION	DATE	DWN	APVD
		R		REV PER 0H14-0206-05	06-05	AA	DN



THIS DRAWING IS A CONTROLLED DOCUMENT.		DWN R. SEIFRIED 29-OCT-84	Tyco Electronics Corporation Harrisburg, Pa 17105-3608	
DIMENSIONS: INCHES		CHK L. CASTAGNA 29-OCT-84		
TOLERANCES UNLESS OTHERWISE SPECIFIED:		APVD L. CASTAGNA 29-OCT-84	NAME RECEPTACLE ASSEMBLY BOX II, 4-ROW W/.149 SOLDER TAILS	
0 PLC ± - 1 PLC ± - 2 PLC ± - 3 PLC ± .005 4 PLC ± - ANGLES ± - FINISH -		PRODUCT SPEC -	SIZE A2	CAGE CODE 00779
MATERIAL 1-2		APPLICATION SPEC -	DRAWING NO C=533285	RESTRICTED TO -
		WEIGHT -	SCALE 4:1	SHEET 1 OF 2
		CUSTOMER DRAWING	REV R	

533285

THIS DRAWING IS UNPUBLISHED. RELEASED FOR PUBLICATION - .N/A .
 © COPYRIGHT N/A BY TYCO ELECTRONICS CORPORATION. ALL RIGHTS RESERVED.

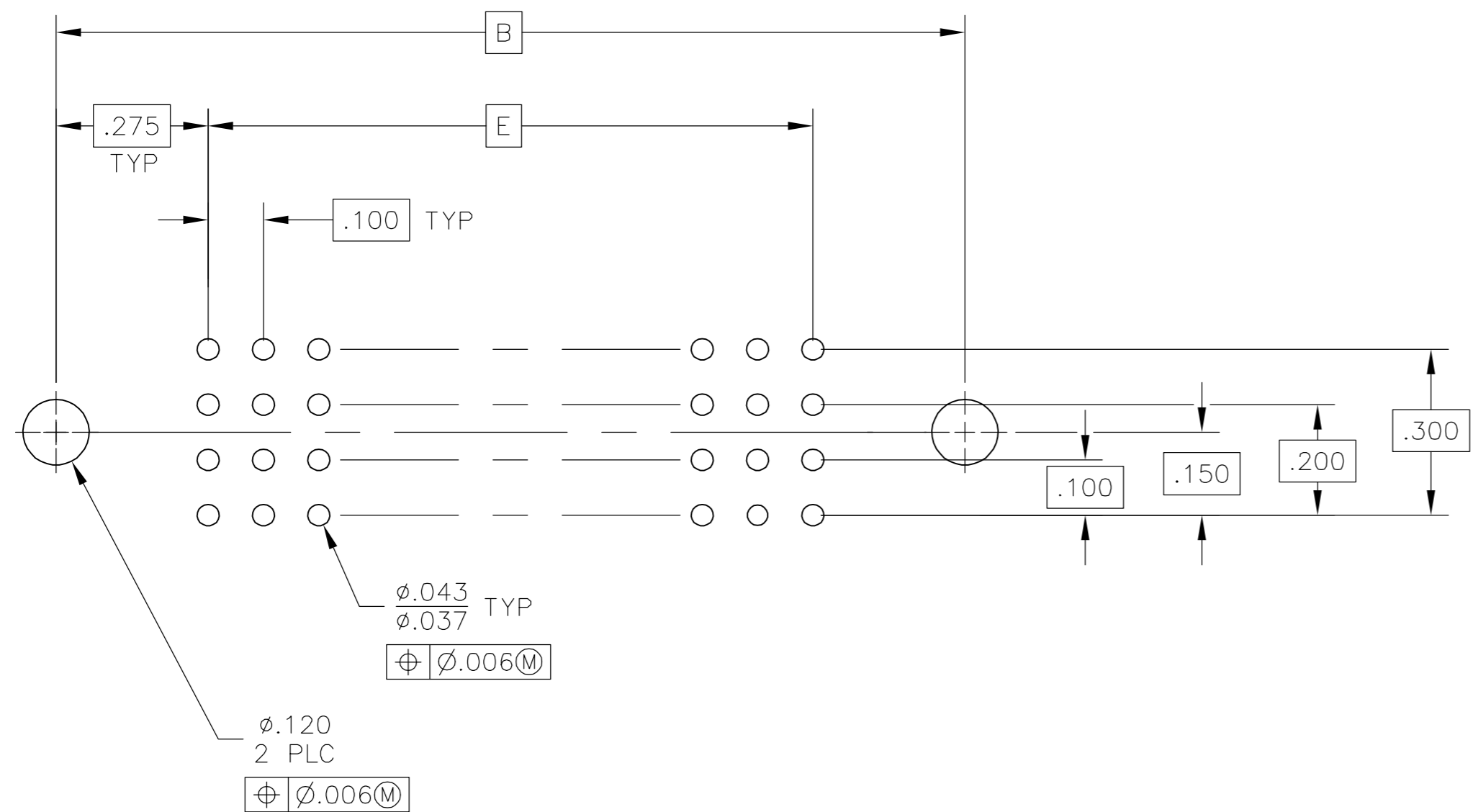
LOC	DIST	REVISIONS					
		P	LTR	DESCRIPTION	DATE	DWN	APVD
AD	25	-	-	SEE SHEET 1	-	-	-

- 1 HOUSING MATERIAL: POLYPHENYLENE SULFIDE. COLOR: NATURAL (BROWN).
- 2 CONTACT MATERIAL: BERYLLIUM COPPER.
- 3 CONTACT FINISH: NICKEL UNDERPLATE .000050-.000100 THK ALL OVER GOLD .000030 THK IN CONTACT AREA. TIN-LEAD PLATED SOLDER TAILS.
- 4 TYCO, PART NO. & DATE CODE MARKED IN THIS APPROXIMATE AREA.
- 5 CONTACT FINISH: NICKEL UNDERPLATE .000050-.000100 THK ALL OVER GOLD .000030 THK IN CONTACT AREA. TIN PLATED SOLDER TAILS.

5	7.400	74	7.524	7.950	8.250	300	6-533285-2
5	6.400	64	6.524	6.950	7.250	260	6-533285-0
5	5.900	59	6.024	6.450	6.750	240	5-533285-9
5	4.900	49	5.024	5.450	5.750	200	5-533285-7
5	4.400	44	4.524	4.950	5.250	180	5-533285-6
5	3.900	39	4.024	4.450	4.750	160	5-533285-5
5	3.400	34	3.524	3.950	4.250	140	5-533285-4
5	3.100	31	3.224	3.650	3.950	128	5-533285-3
5	2.900	29	3.024	3.450	3.750	120	5-533285-2
5	2.400	24	2.524	2.950	3.250	100	5-533285-1
3	5.700	57	5.824	6.250	6.550	232	3-533285-5

OBsolete

OBsolete	.900	9	1.024	1.450	1.750	40	1-533285-5
OBsolete	4.700	47	4.824	5.250	5.550	192	1-533285-4
OBsolete	1.600	16	1.724	2.150	2.450	68	1-533285-3
3	7.400	74	7.524	7.950	8.250	300	1-533285-2
3	6.900	69	7.024	7.450	7.750	280	1-533285-1
3	6.400	64	6.524	6.950	7.250	260	1-533285-0
3	5.900	59	6.024	6.450	6.750	240	533285-9
3	5.400	54	5.524	5.950	6.250	220	533285-8
3	4.900	49	5.024	5.450	5.750	200	533285-7
3	4.400	44	4.524	4.950	5.250	180	533285-6
3	3.900	39	4.024	4.450	4.750	160	533285-5
3	3.400	34	3.524	3.950	4.250	140	533285-4
3	3.100	31	3.224	3.650	3.950	128	533285-3
3	2.900	29	3.024	3.450	3.750	120	533285-2
3	2.400	24	2.524	2.950	3.250	100	533285-1
	E	D	C	B	A	POSN	PART NUMBER



RECOMMENDED PC BOARD LAYOUT

THIS DRAWING IS A CONTROLLED DOCUMENT.

DIMENSIONS: INCHES	TOLERANCES UNLESS OTHERWISE SPECIFIED:	DWN R. SEIFRIED 29-OCT-84	Tyco Electronics Corporation Harrisburg, Pa 17105-3608
	0 PLC ± - 1 PLC ± - 2 PLC ± - 3 PLC ± .005 4 PLC ± - ANGLES ± - FINISH - 3	CHK L. CASTAGNA 29-OCT-84	
		APVD L. CASTAGNA 29-OCT-84	
		PRODUCT SPEC	
MATERIAL	FINISH	NAME	RECEPTACLE ASSEMBLY BOX II, 4-ROW W/.149 SOLDER TAILS
		APPLICATION SPEC	SIZE A2 CAGE CODE 00779 DRAWING NO C=533285 RESTRICTED TO -
		WEIGHT -	SCALE 4:1 SHEET 2 OF 2 REV R
		CUSTOMER DRAWING	