

参考基板レイアウト (マウント面)
P.C.B. PATTERN LAYOUT (REF.) (MOUNT AREA)

0.4	17.6	16.85	15.2	52465-4027	40
0.8	16.8	16.05	14.4	-3827	38
0.4	16.0	15.25	13.6	-3627	36
0.8	15.2	14.45	12.8	-3427	34
0.4	14.4	13.65	12.0	-3227	32
0.8	13.6	12.85	11.2	-3027	30
0.4	12.8	12.05	10.4	-2827	28
0.8	12.0	11.25	9.6	-2627	26
0.4	11.2	10.45	8.8	-2427	24
0.8	10.4	9.65	8.0	-2227	22
0.4	9.6	8.85	7.2	-2027	20
0.8	8.8	8.05	6.4	-1827	18
0.4	8.0	7.25	5.6	-1627	16
0.8	7.2	6.45	4.8	-1427	14
0.4	6.4	5.65	4.0	-1227	12
0.8	5.6	4.85	3.2	52465-1027	10
D	C	B	A	ENG. NO.	極数 C.K.T.

注記 NOTES

1. 嵌合相手: 53307-***17,53307-***27,53309-***17,53309-***27
MATES WITH
2. ハウジングの C から隣接するターミナルの C 迄の位置を示す。
SHOW POSITION FROM C OF HOUSING TO C OF ADJACENT TERMINALS.
3. 一對の基板の嵌合に於いて、本製品を2個以上使用することは推奨できません。
MXJ DOSE NOT RECOMMEND THE USAGE OF TWO OR MORE OF THESE CONNECTORS BETWEEN A SINGLE PAIR OF P. C. BOARD.

角度 ANGLE	±3°				
30°以上 OVER	+0.3	B	変更 REVISD (UC60753)	FA	YM
10°以上 30°未満 UNDER	+0.25	A	変更 REVISD (J21207)	TI	ST
10°未満 UNDER	+0.2	O	新製作成 PROPOSED (J11001)	Y	ST
一般公差 GENERAL TOLERANCES		記号 LTR	変更内容 REVISION RECORD	DR. CHK.	日付 DATE

材料 MATERIAL	図中参照 SEE DRAWING
仕上げ FINISH	—
適用電線範囲 WIRE RANGE	—
被覆外径 INS. RANGE	—
DRAWN BY '91/11/14	CHK'D BY '96/4/18
K.ASAKAWA	Y.M.FUKUSHIMA
APP'D BY '96/4/18	尺度 SCALE
M.FUKUSHIMA	—

molex MOLEX-JAPAN CO.,LTD.
日本モレックス株式会社

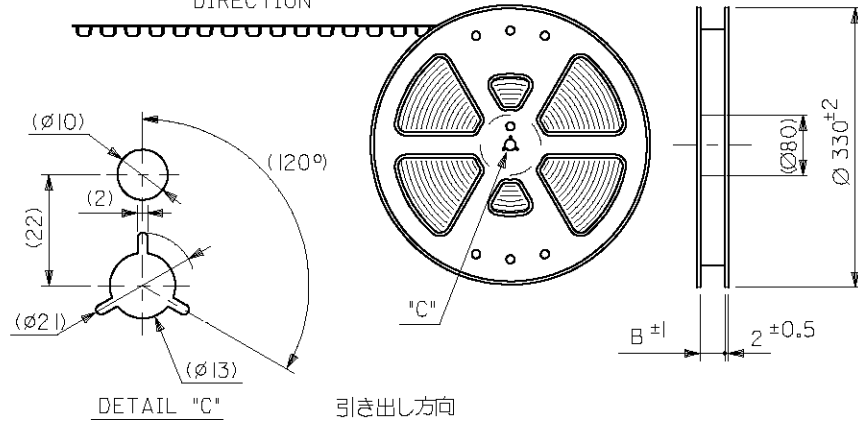
REVISE ONLY ON CAD SYSTEM

TITLE 名称
0.8 BOARD TO BOARD
CONN. HOUSING ASS'Y SMT
(WITHOUT BOSS)

DWG. NO. SD-52465-***27

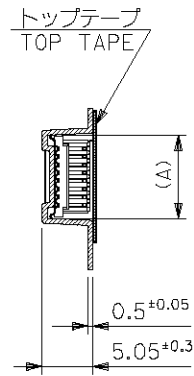
REV B

引き出し方向
PULL OUT
DIRECTION

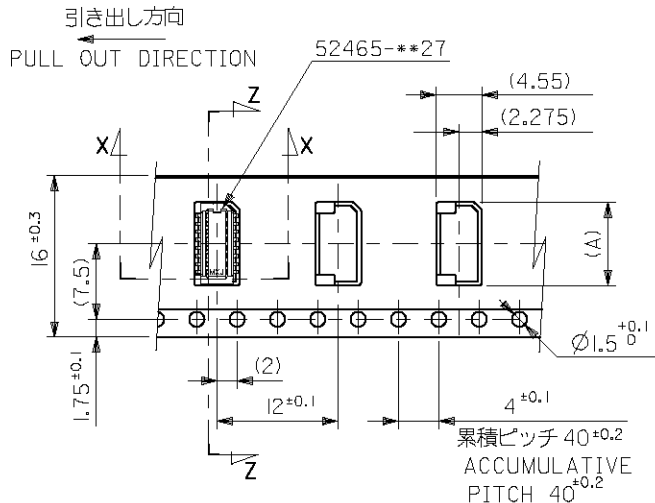


DETAIL "C"

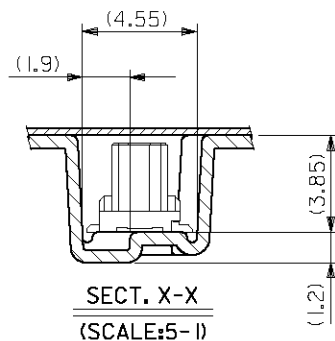
引き出し方向
PULL OUT DIRECTION



SECT. Z-Z



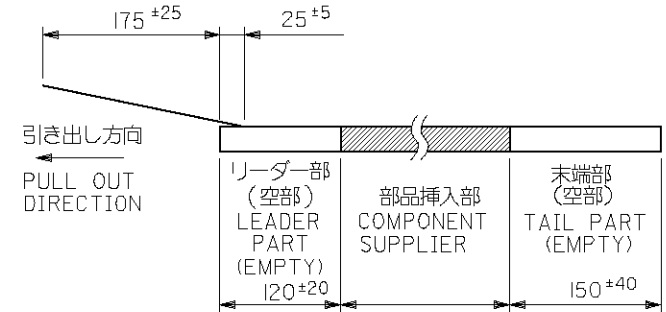
16mm幅キャリアテープ
16mm WIDTH CARRIER TAPE



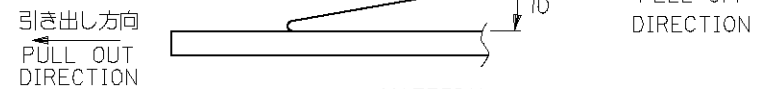
SECT. X-X
(SCALE:5-1)

注記 NOTES

1. 梱包数量：1000個/リール NUMBER OF CONNECTORS:1000PCS/REEL
2. リードテープ長さ LEAD TAPE LENGTH
 トップテープ TOP TAPE
 リーダー部 LEADER PART トップテープ TOP TAPE
 リーダー部未接着部 NON-BONDED PART



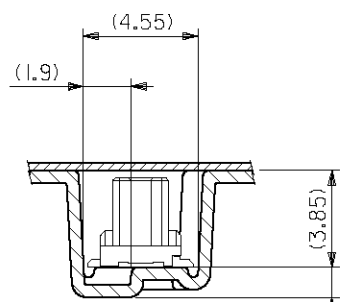
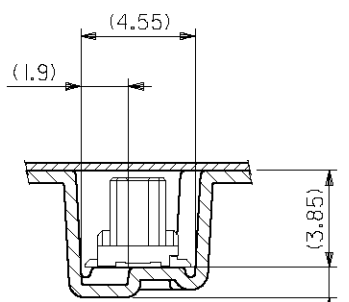
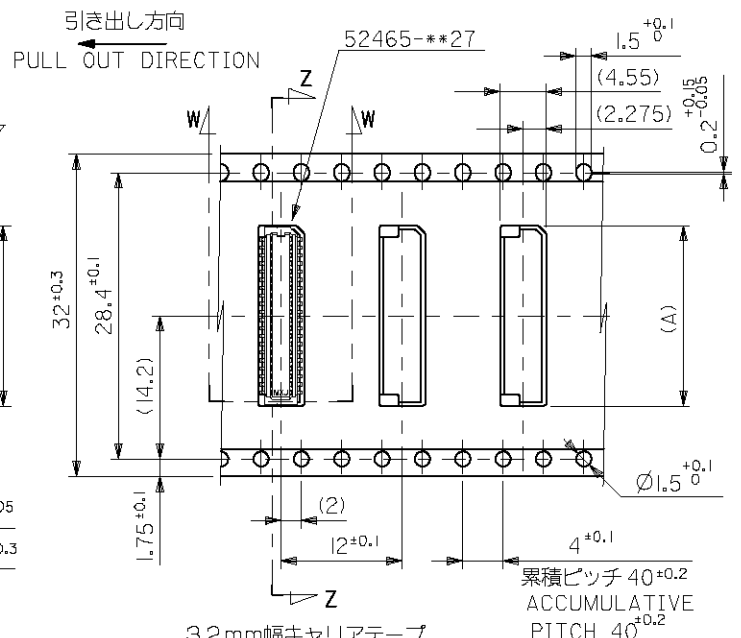
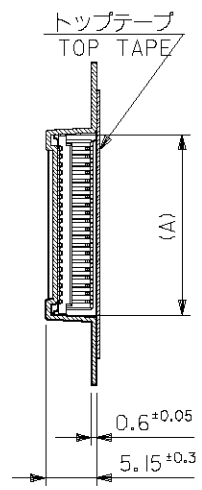
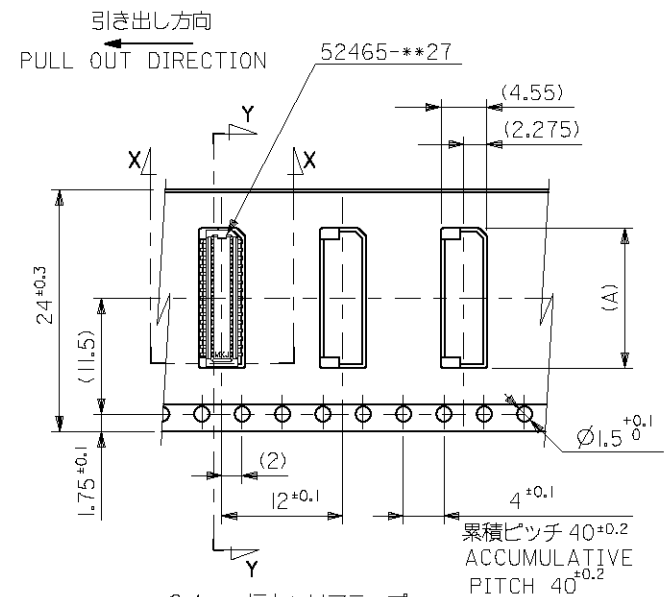
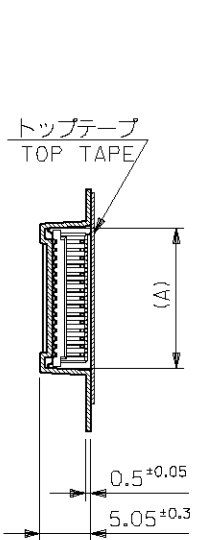
3. トップテープの剥離強度：(剥離方向は下図参照)
 0.1N~0.7N (10.2gf~71.4gf) 尚、本規格値は、出荷時に適用。
 (但し、輸送時に剥離が発生しない事。)
 PEELING OFF FORCE OF TOP TAPE
 0.1N~0.7N (10.2gf~71.4gf) (PEELING DIRECTION AS SHOWN IN FOLLOWING FIG.)
 THIS REQUIREMENT SHOULD BE APPLIED AT SHIPMENT
 PEEL OFF SHOULD NOT BE ALLOWED,
 DURING TRANSPORTATION



4. 材料
 キャリアテープ：ポリプロピレン (PP) CARRIER TAPE:POLYPROPYLENE
 トップテープ：PET, PE, PEF TOP TAPE:PET,PE,PEF
 リール：ポリスチレン (PS) REEL:POLYSTYREN(PS)
 <リサイクル材を含む> <RECYCLE MATERIAL CONTAINED>

16	17.5	6.7 5.9	52465-1291 52465-1091	12 10
キャリアテープ幅 CARRIER TAPE WIDTH	B	(A)	MATERIAL NO.	極数 CIRCUIT

REVISED EC NO: J2009-1417 DRWN:NAKAMURA 2008/12/15 CHKD:T. HARIYAMA 2008/12/15 APPR:NUKITA 2009/01/14	GENERAL TOLERANCES (UNLESS SPECIFIED)		DIMENSION STYLE MM ONLY		SCALE ---	DESIGN UNITS METRIC	MODEL NO. 52465-***91
	10 UNDER	± ---	DRAWN BY K. ASAKAWA	DATE '91/11/22	TITLE 0.8 B-TO-B HSG ASSY SMT EMBSTP PKG		
	10 OVER 30 UNDER	± ---	CHECKED BY T. ITO	DATE '00/12/20	APPROVED BY M. FUKUSHIMA '00/12/20		
	30 OVER	± ---	MATERIAL NO. SEE TABLE		DOCUMENT NO. SD-52465-041		
ANGULAR ± --- °	DRAFT WHERE APPLICABLE MUST REMAIN WITHIN DIMENSIONS		MATERIAL NO. SD-52465-041				
SIZE A3	THIS DRAWING CONTAINS INFORMATION THAT IS PROPRIETARY TO MOLEX INCORPORATED AND SHOULD NOT BE USED WITHOUT WRITTEN PERMISSION						



(SCALE; 5:1)

32	33.5	17.9	52465-4091	40
24	25.5	14.7	52465-3291	32
		13.1	52465-2891	28
		12.3	52465-2691	26
		9.9	52465-2091	20
キャリアテープ幅 CARRIER TAPE WIDTH	B	(A)	MATERIAL NO.	極数 CIRCUIT

REVISED EC NO: J2009-1417 DRWN:NAKURAA 2008/12/15 CHKD:T. HARIYAMA 2008/12/15 APPR:NUKITA 2009/01/14	DESCRIPTION	GENERAL TOLERANCES (UNLESS SPECIFIED)	DIMENSION STYLE MM ONLY	SCALE ---	DESIGN UNITS METRIC	MODEL NO. 52465-***91
	REV	10 UNDER ± ---	DRAWN BY K. ASAKAWA	DATE '91/11/22	TITLE	0.8 B-TO-B HSG ASSY SMT EMBSTP PKG
		10 OVER 30 UNDER ± ---	CHECKED BY T. ITO	DATE '00/12/20	APPROVED BY M. FUKUSHIMA	
		30 OVER ± ---	ANGULAR ± --- °	MATERIAL NO.	DOCUMENT NO.	SEE TABLE
		DRAFT WHERE APPLICABLE MUST REMAIN WITHIN DIMENSIONS	SIZE A3	THIS DRAWING CONTAINS INFORMATION THAT IS PROPRIETARY TO MOLEX INCORPORATED AND SHOULD NOT BE USED WITHOUT WRITTEN PERMISSION		