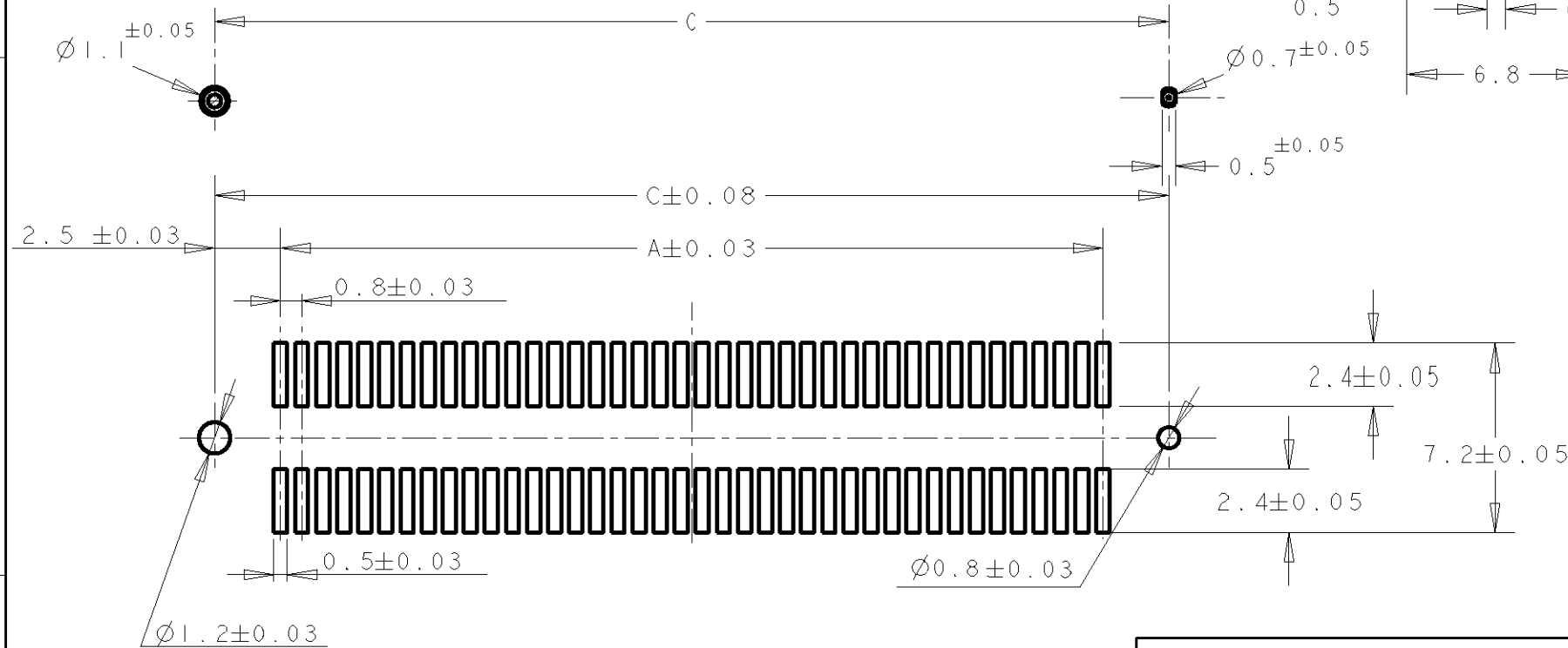
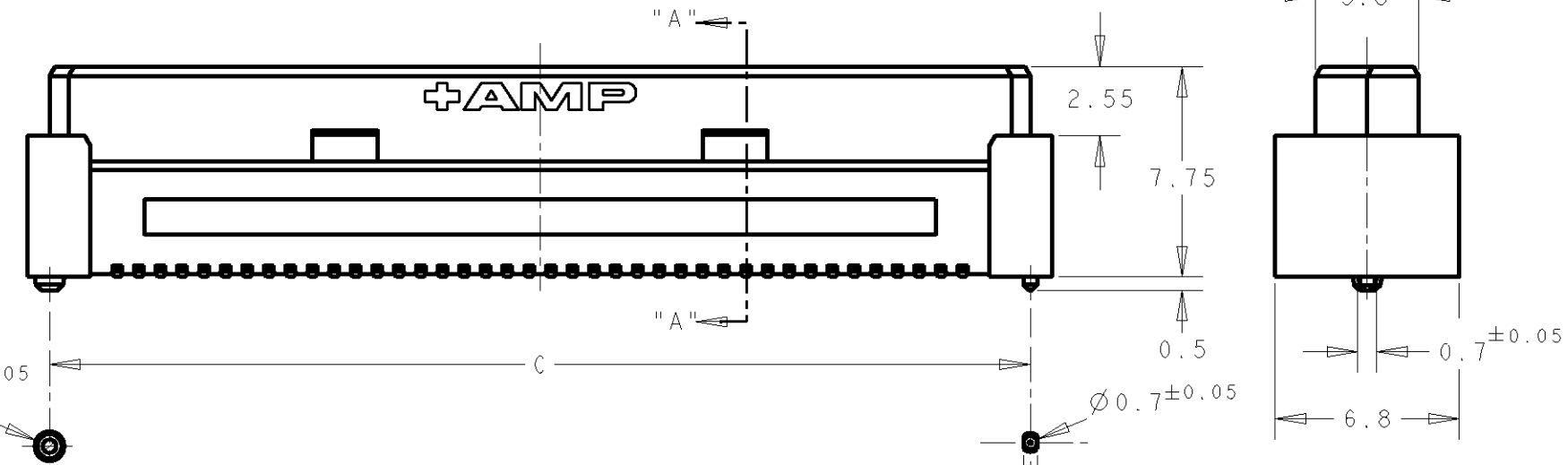
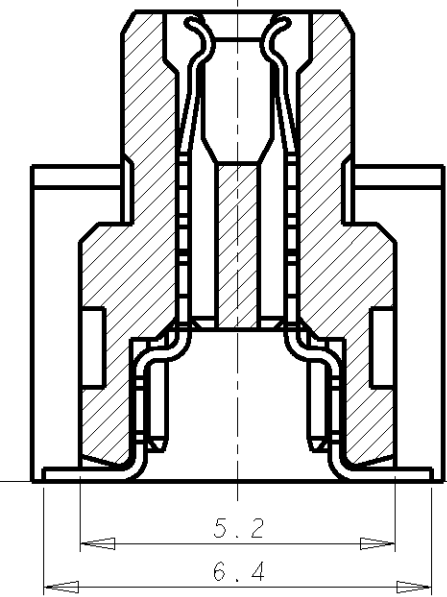
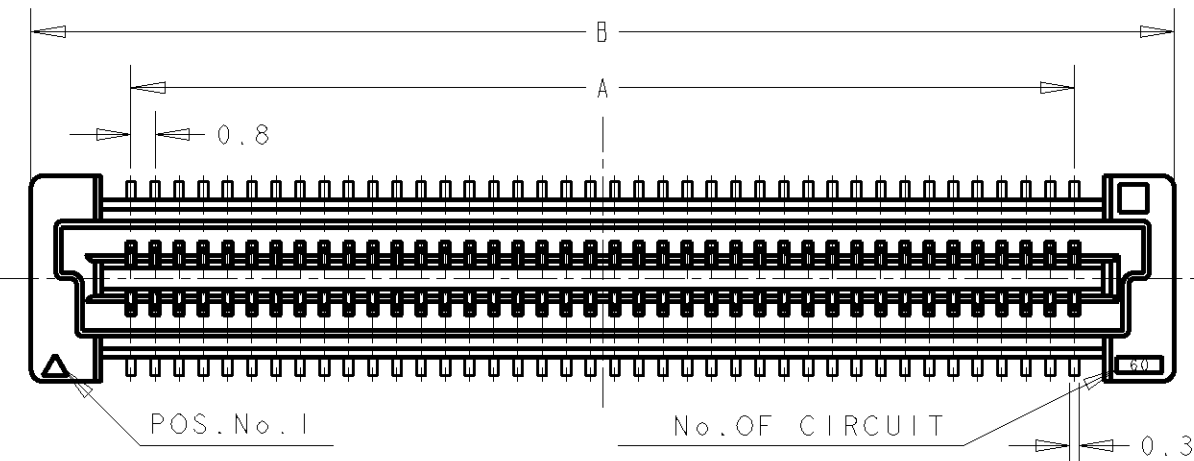


THIS DRAWING IS UNPUBLISHED. RELEASED FOR PUBLICATION
 © COPYRIGHT - BY - ALL RIGHTS RESERVED.

LOC	DIST	REVISIONS			
P	LTR	DESCRIPTION	DATE	DWN	APVD
DY	-	P REVISED PER ECO-11-005139	19MAR11	RK	HMR



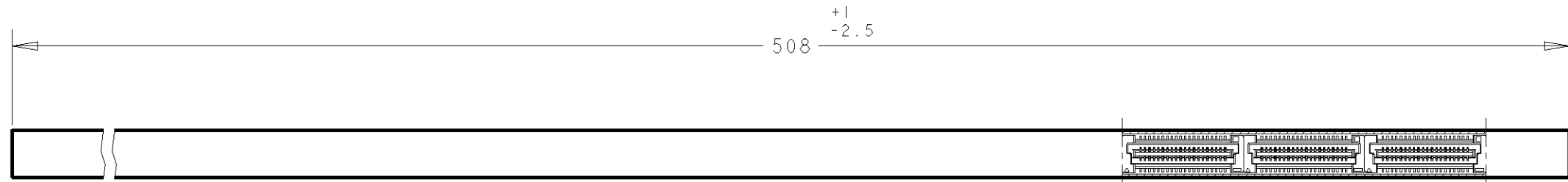
- NOTES:
- 1. MATERIAL: HOUSING: L.C.P. (HIGH TEMP. THERMOPLASTIC) UL 94V-0, NATURAL. CONTACT: BERYLIUM COPPER.
 - 2. FINISH: CONTACT AREA: 0.0002 MIN GOLD ON 0.0013 MIN ALL OVER NICKEL. SOLDERING AREA: 0.002 MIN MATTE-TIN.
 - 3. POSITION SERIES: SEE TABLE. (SHEET 2)
 - 4. CONN STACK HEIGHT COMBINE OF PLUG "Y" H VS REC "X" H. STACK HEIGHT = Y + X - 5

RECOMMENDED P.C. BOARD LAYOUT

DWN FLORENCE TAN 14SEP04		TE TE Connectivity	
CHK ERIC TNG			
APVD SF L FONG		NAME RCEPTACLE ASSEMBLY 9H TYPE FOR FH 0.8mm PITCH B-T-B CONNECTOR	
PRODUCT SPEC 108-5390		SIZE A3	CAGE CODE 00779
APPLICATION SPEC 114-5254		DRAWING NO C-5179009	
MATERIAL 1		SCALE 4:1 SHEET 1 OF 2 REV P	
FINISH 2		CUSTOMER DRAWING	

THIS DRAWING IS UNPUBLISHED. RELEASED FOR PUBLICATION
 © COPYRIGHT - BY - ALL RIGHTS RESERVED.

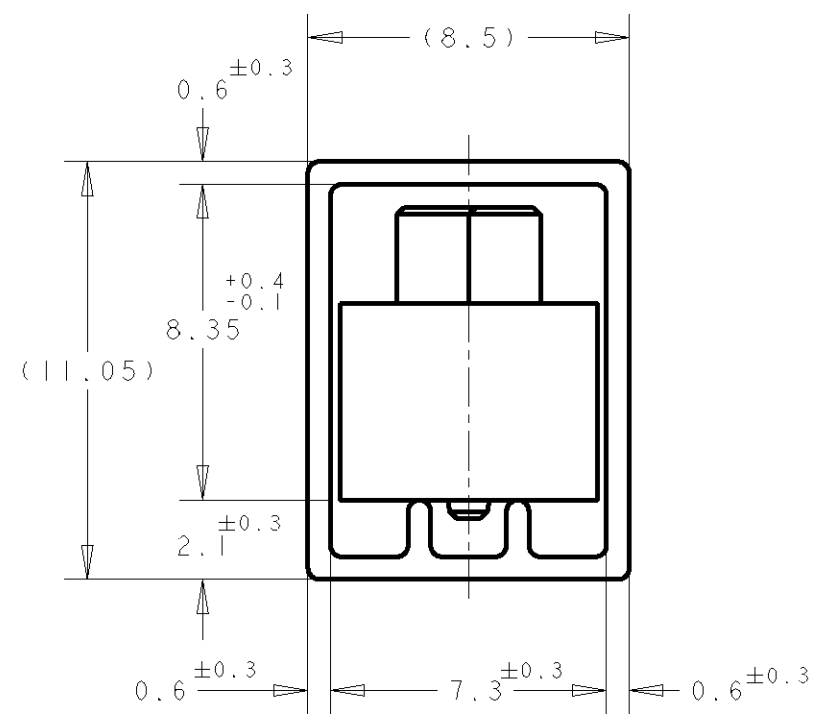
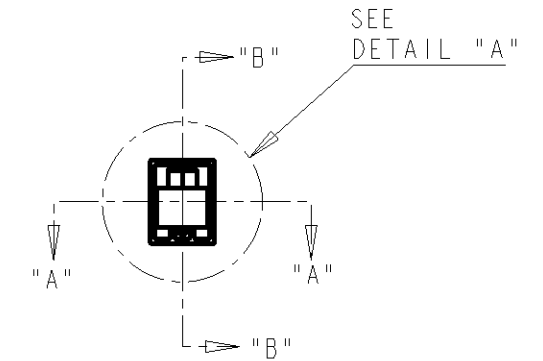
LOC	DIST	REVISIONS			
P	LTR	DESCRIPTION	DATE	DWN	APVD
DY	-	- SEE SHEET 1 OF 2	-	-	-



SECT "A" - "A"



SECT "B" - "B"



DETAIL "A"
(SCALE 5-1)

84.20	85.80	79.20	200	6-	-0
76.20	77.80	71.20	180	5-	-9
68.20	69.80	63.20	160	5-	-8
60.20	61.80	55.20	140	5-	-6
52.20	53.80	47.20	120	5-	-5
44.20	45.80	39.20	100	5-	-4
36.20	37.80	31.20	80	5-	-3
28.20	29.80	23.20	60	5-	-2
20.20	21.80	15.20	40	5-	-1
C	B	A	POS.	PART No.	

DWN FLORENCE TAN 14SEP04			
CHK ERIC TNG			
APVD SF J FONG		NAME RECEPTACLE ASSEMBLY 9H TYPE FOR FH 0.8mm PITCH B-T-B CONNECTOR	
PRODUCT SPEC 108-5390		SIZE A3	CAGE CODE 00779
APPLICATION SPEC 114-5254		DRAWING NO C-5179009	
MATERIAL 1		SCALE 4:1	
FINISH 2		SHEET 2 OF 2	
CUSTOMER DRAWING		REV P	