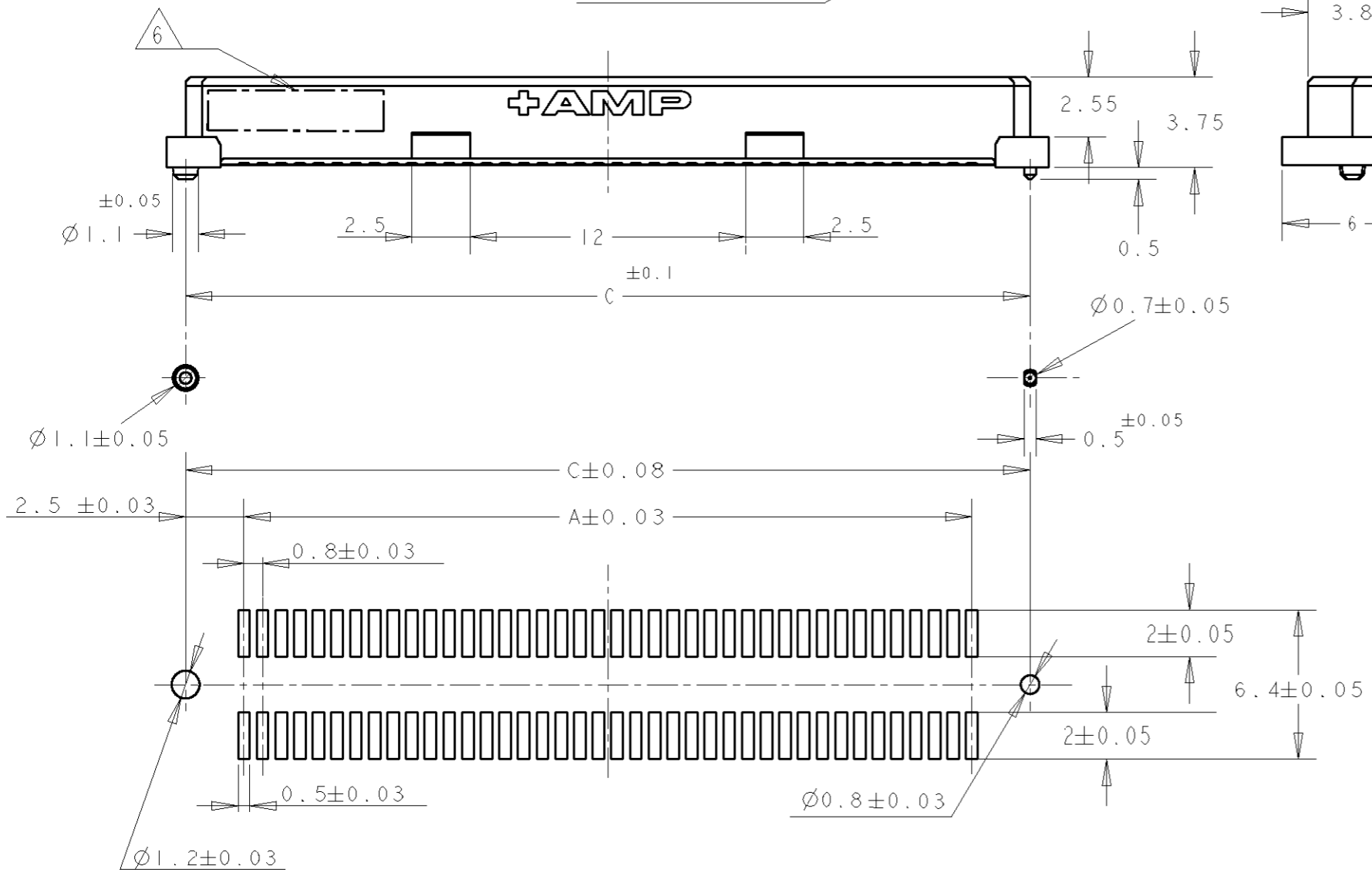
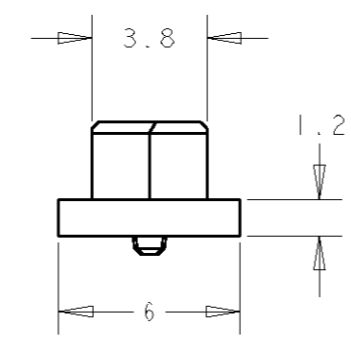
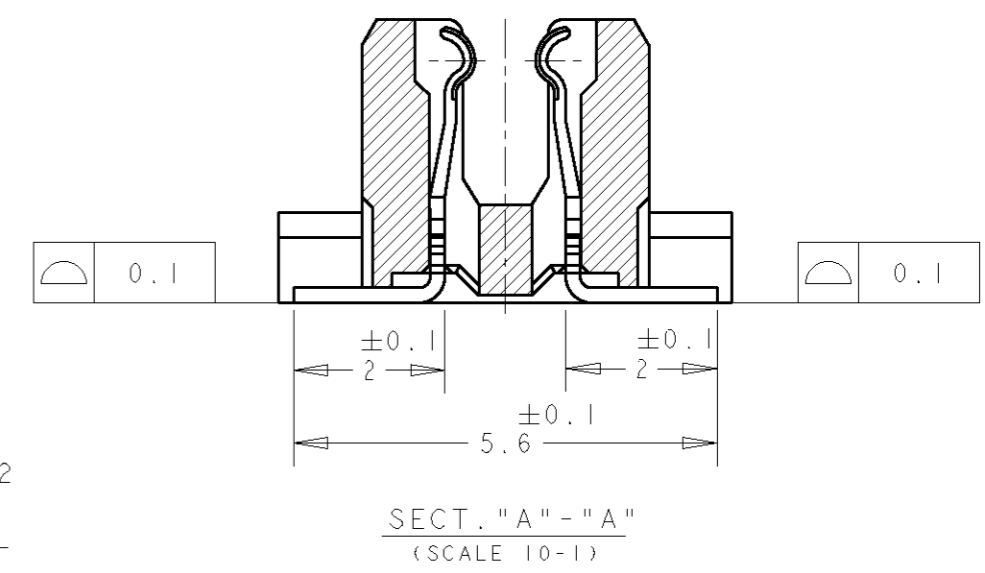
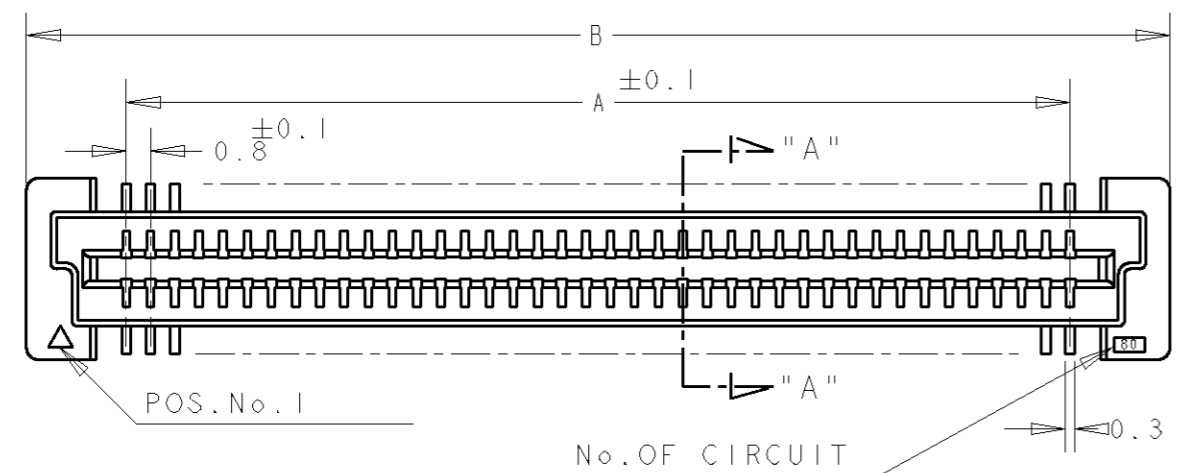


THIS DRAWING IS UNPUBLISHED. RELEASED FOR PUBLICATION
 © COPYRIGHT - BY - ALL RIGHTS RESERVED.

LOC		DIST		REVISIONS					
DY		-		P	LTR	DESCRIPTION	DATE	DWN	APVD
				B1		REVISED PER ECO-11-005139	19MAR11	RK	HMR



NOTES:

- 1. MATERIAL: HOUSING: L.C.P (HIGH TEMP THERMOPLASTIC) UL 94V-0, NATURAL. CONTACT: COPPER ALLOY.
- 2. FINISH: CONTACT AREA: 0.0002 MIN GOLD ON 0.0013 MIN ALL OVER NICKEL. SOLDERING AREA: 0.002 MIN MATTE TIN.
- 3. POSITION SERIES: SEE TABLE.
- 4. CONN STACK HEIGHT COMBINE OF PLUG "Y" H VS REC "X" H. STACK HEIGHT = Y + X - 5
- 5. FINISH: CONTACT AREA: 0.00038 MIN GOLD ON 0.0013 MIN ALL OVER NICKEL. SOLDERING AREA: 0.002 MIN MATTE TIN.
- 6. DATE CODE MARKING.

RECOMMENDED P.C. BOARD LAYOUT

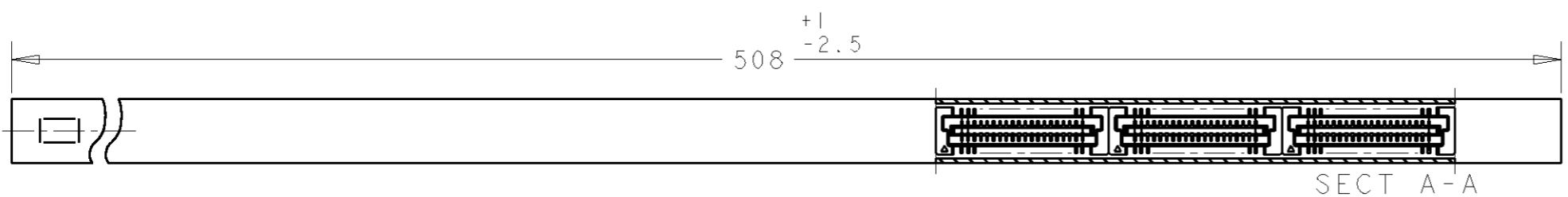
P/N SEE SHEET 2 OF 2.

DWN SK LEAW 17MAY2004		TE Connectivity	
CHK ERIC TNG			
APVD SE I FONG		NAME	
PRODUCT SPEC 108-5390		RECEPTACLE ASSEMBLY 5H TYPE (0.5 BOSS LENGTH) FOR FH0.8MM PITCH B-T-B CONNECTOR	
APPLICATION SPEC 114-5254		SIZE A3	CAGE CODE 00779
WEIGHT -		DRAWING NO C=5177983	
CUSTOMER DRAWING		SCALE 4:1	SHEET 1 OF 2 REV B1

DIMENSIONS: mm		TOLERANCES UNLESS OTHERWISE SPECIFIED:	
		0 PLC ±-	
		1 PLC ±0.3	
		2 PLC ±0.25	
		3 PLC ±0.2	
		4 PLC ±-	
MATERIAL		FINISH SEE P/N TABLE	

THIS DRAWING IS UNPUBLISHED. RELEASED FOR PUBLICATION
 © COPYRIGHT BY ALL RIGHTS RESERVED.

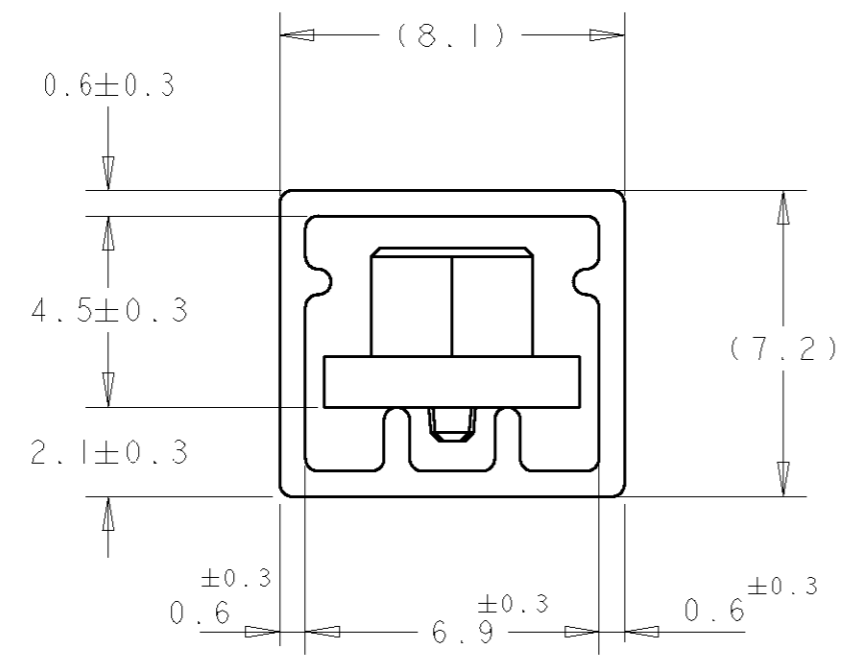
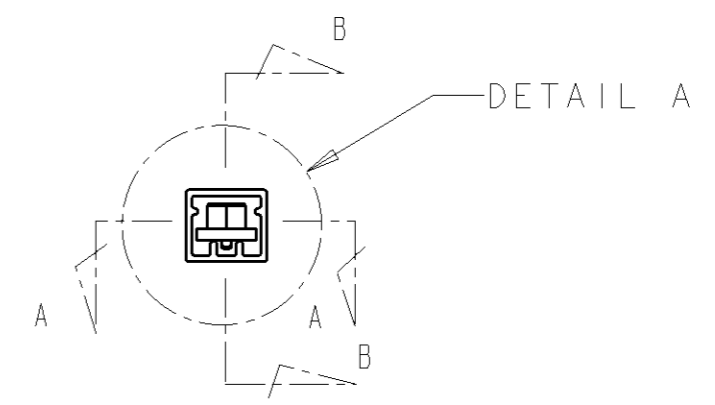
LOC DY	DIST -	REVISIONS		
P	LTR	DESCRIPTION	DATE	DWN -
		SEE SHEET 1 OF 2	-	APVD -



REFERENCE PICTURE OF TUBE PACK

SECT A-A

SECT B-B



DETAIL A

5	5	84.2	85.8	79.2	200	2-	-0
	6	76.2	77.8	71.2	180	1-	-9
	6	68.2	69.8	63.2	160	1-	-8
	7	60.2	61.8	55.2	120	1-	-6
	9	52.2	53.8	47.2	120	1-	-5
	10	44.2	45.8	39.2	100	1-	-4
	12	36.2	37.8	31.2	80	1-	-3
	16	28.2	29.8	23.2	60	1-	-2
	22	20.2	21.8	15.2	40	1-	-1
	2	5	84.2	85.8	79.2	200	1-
6		76.2	77.8	71.2	180		-9
6		68.2	69.8	63.2	160		-8
7		60.2	61.8	55.2	140		-6
9		52.2	53.8	47.2	120		-5
10		44.2	45.8	39.2	100		-4
	12	36.2	37.8	31.2	80		-3
	16	28.2	29.8	23.2	60		-2
	22	20.2	21.8	15.2	40		-1
FINISH	QTY	C	B	A	POS	CONN P/N	

DWN SK LEAW 17MAY2004		TE TE Connectivity	
CHK ERIC TNG		NAME RECEPTACLE ASSEMBLY 5H TYPE	
APVD SEIFONG		(0.5 BOSS LENGTH) FOR FH0.8MM PITCH	
PRODUCT SPEC 108-5390		B-T-B CONNECTOR	
APPLICATION SPEC 114-5254		SIZE A3	CAGE CODE 00779
MATERIAL SEE NOTE 1		DRAWING NO C=5177983	
FINISH SEE P/N TABLE		WEIGHT -	SCALE - SHEET 2 OF 2 REV B1
CUSTOMER DRAWING			