

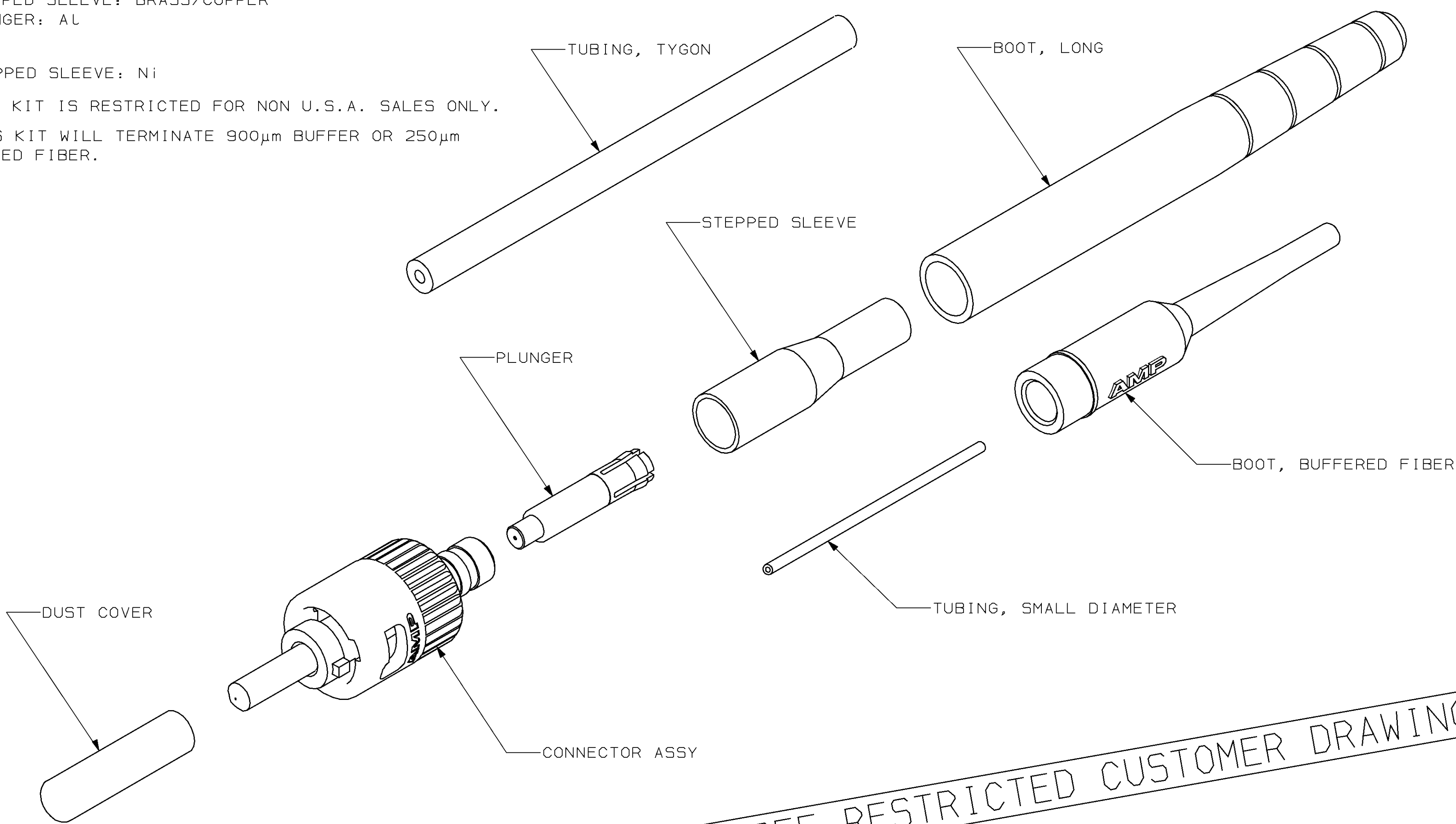
LOC	DIST	P	F	ZONE	LTR	DESCRIPTION	DATE	APPD
CE	16				B	REV PER 0500-0174-94	8-1-94	DDE

1 CONNECTOR ASSY: BODY AL, FERRULE CERAMIC
 BOOT: THERMOPLASTIC ELASTOMER
 STEPPED SLEEVE: BRASS/COPPER
 PLUNGER: AL

2 STEPPED SLEEVE: Ni

3. THIS KIT IS RESTRICTED FOR NON U.S.A. SALES ONLY.

4. THIS KIT WILL TERMINATE 900µm BUFFER OR 250µm COATED FIBER.



WARNING: FOR THE LATEST REVISION, SEE RESTRICTED CUSTOMER DRAWING

DO NOT SCALE PRINT. UNLESS SPECIFIED DIMENSIONS IN mm [INCHES]	
TOLERANCES ON :	
2 PLC DEC ±	-
3 PLC DEC ±	-
ANGLES ±	-
MATERIAL	1
FINISH	2
WEIGHT	-

DR 9-24-93 D ERDMAN
CHK 9-24-93 J MCKEE
APPD 9-24-93 J MCKEE
APPD 9-24-93 B EDWARDS
PRODUCT SPEC -
APPLICATION SPEC -
WEIGHT -

250µm/ 0.8 - 1.0 mm	504600-1
BUFFER SIZE	PART NO
AMP AMP Incorporated Harrisburg, PA 17105-3608	
NAME KIT, CONNECTOR, 2.5mm BAYONET, 125µm, MULTIMODE	
SIZE C	CAGE CODE 00779
SCALE -	DRAWING NO G=504600
SHEET 1 OF 1	

THIS DRAWING IS A CONTROLLED DOCUMENT FOR AMP INCORPORATED. IT IS SUBJECT TO CHANGE AND THE CONTROLLING ENGINEERING ORGANIZATION SHOULD BE CONTACTED FOR THE LATEST REVISION.