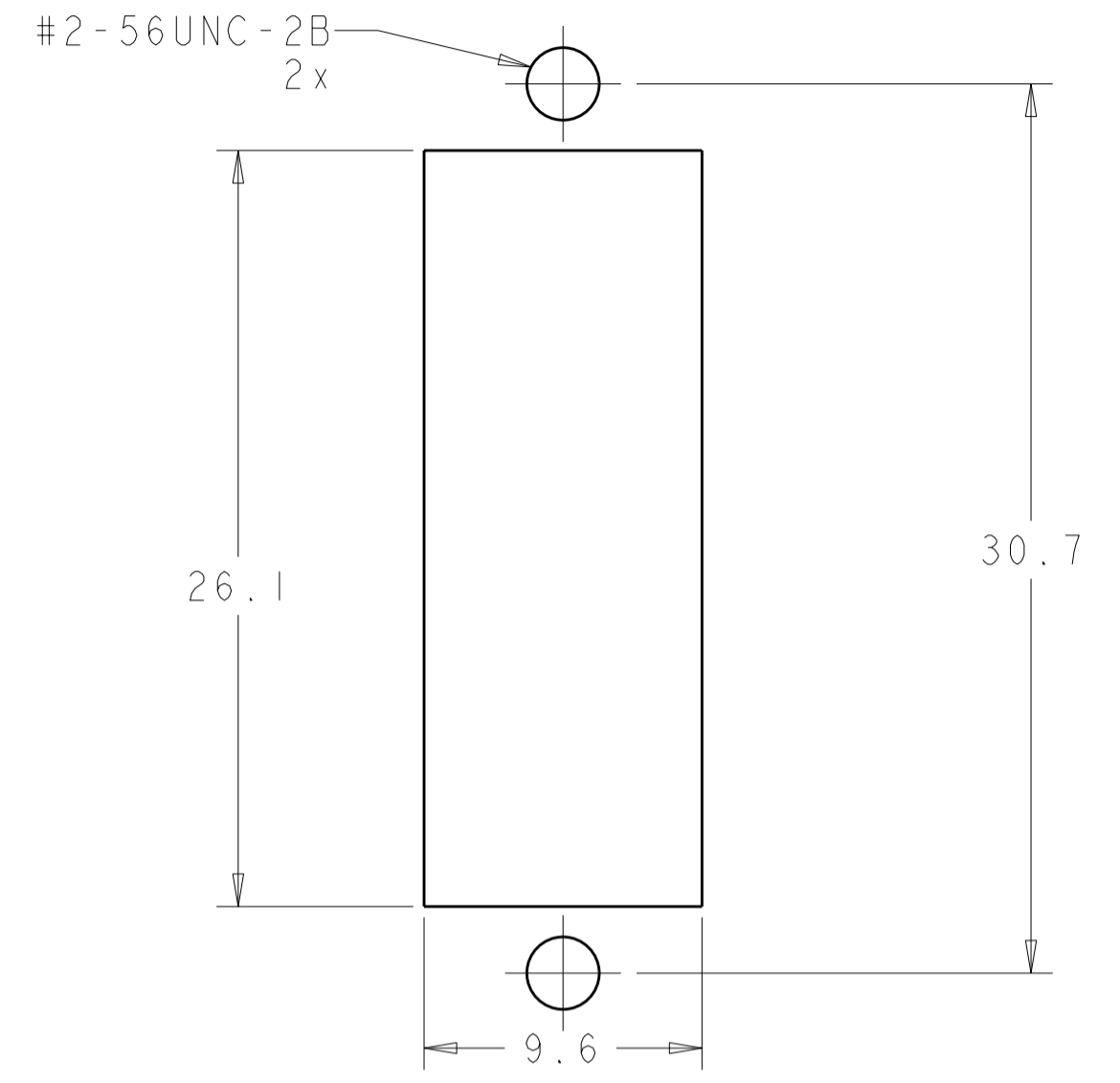
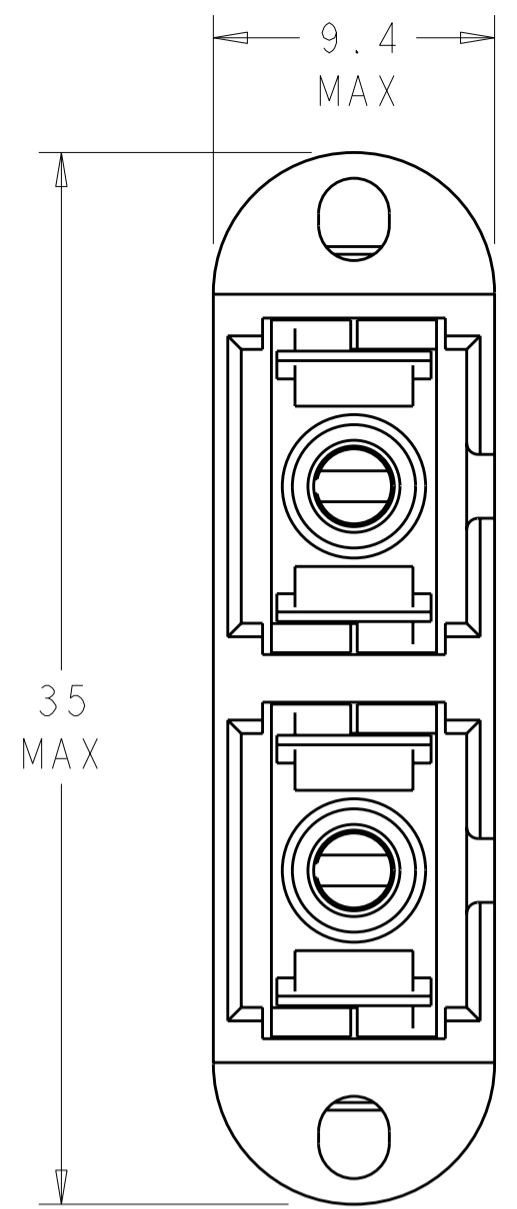
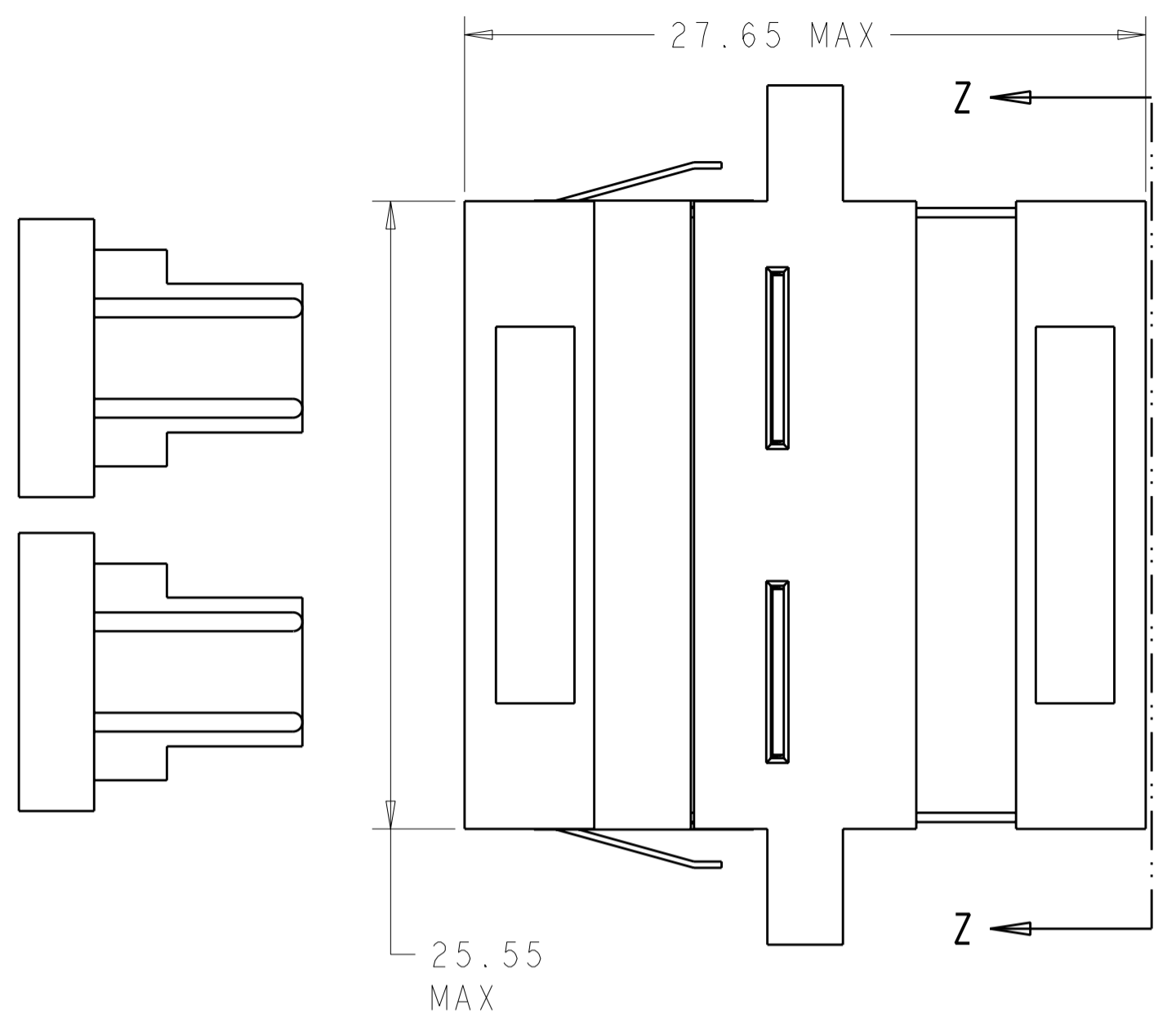


THIS DRAWING IS UNPUBLISHED. RELEASED FOR PUBLICATION 20  
 © COPYRIGHT 20 BY TYCO ELECTRONICS CORPORATION. ALL RIGHTS RESERVED.

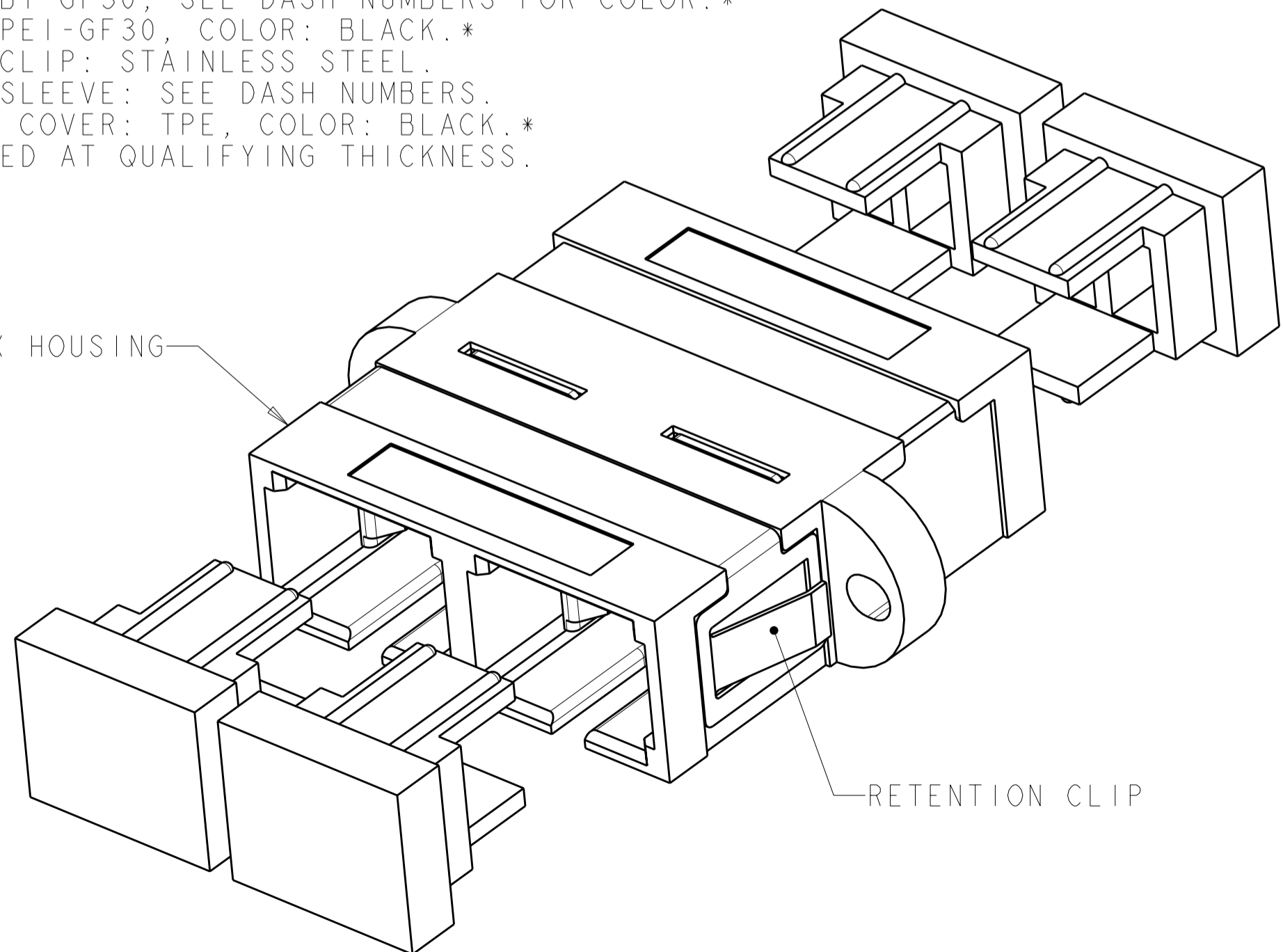
LOC	DIST	REVISIONS			
P	LTR	DESCRIPTION	DATE	DWN	APVD
CE	00				
	R	REVISE PER 0A00-0547-04	04NOV2004	BB	SM
	S	REVISE PER ECR-05-007211	21JUL2005	BB	SB
	T	REVISE PER ECR-08-000844	23JAN2008	BB	SM



SUGGESTED PANEL CUTOUT  
 MAX PANEL THICKNESS 1.7

- ① MATERIAL:  
 HOUSING: PBT-GF30, SEE DASH NUMBERS FOR COLOR.\*  
 RETAINER: PEI-GF30, COLOR: BLACK.\*  
 RETENTION CLIP: STAINLESS STEEL.  
 ALIGNMENT SLEEVE: SEE DASH NUMBERS.  
 PROTECTIVE COVER: TPE, COLOR: BLACK.\*  
 \*UL94 V-0 RATED AT QUALIFYING THICKNESS.
- ② BULK PACKAGE.

DUPLEX HOUSING



RETENTION CLIP

RETENTION CLIP	CERAMIC	GREEN	2-502776-3
NONE	CERAMIC	GREEN	2-502776-2
RETENTION CLIP	METAL	BLACK	1-502776-3
RETENTION CLIP	CERAMIC	BEIGE	1-502776-2
RETENTION CLIP	CERAMIC	BLUE	1-502776-1
RETENTION CLIP	CERAMIC	BLACK	1-502776-0
RETENTION CLIP	METAL	BEIGE	502776-9
RETENTION CLIP	METAL	BLUE	502776-8
RETENTION CLIP	METAL	BLACK	502776-7
INCLUDED HARDWARE	ALIGNMENT SLEEVE	COLOR	PART NUMBER

THIS DRAWING IS A CONTROLLED DOCUMENT FOR TYCO ELECTRONICS CORPORATION. IT IS SUBJECT TO CHANGE AND THE CONTROLLING ENGINEERING ORGANIZATION SHOULD BE CONTACTED FOR THE LATEST REVISION.

DIMENSIONS:	TOLERANCES UNLESS OTHERWISE SPECIFIED:	DWN	04NOV2004	Tyco Electronics Harrisburg, PA 17105-3608
mm	0 PLC ± 1 PLC ±0.1 2 PLC ±0.05 3 PLC ± 4 PLC ±	CHK	04NOV2004	
	ANGLES ±	APVD	04NOV2004	
	FINISH ±	PRODUCT SPEC		
MATERIAL		APPLICATION SPEC		NAME
①		WEIGHT		RECEPTACLE ASSEMBLY, DUPLEX, AMP SC TO SC
		CUSTOMER DRAWING		SIZE
				CAGE CODE
				DRAWING NO
				RESTRICTED TO
				A200779C-502776
				SCALE
				4:1
				SHEET
				OF
				REV
				T