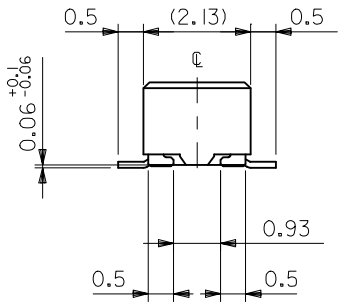
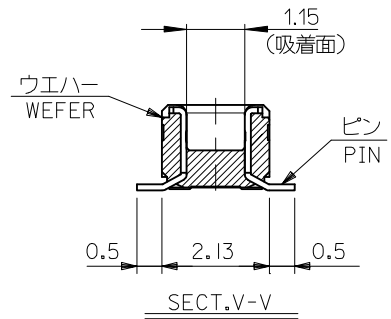


注記 NOTES:

1. 使用材料 MATERIAL
 ウェハー: 液晶ポリマー (LCP) ガラス充填 UL94V-0 (黒)
 WAFER: LIQUID CRYSTAL POLYMER (GLASS FILLED)
 UL94V-0 (COLOR: BLACK)
 ピン: 黄銅 (t=0.12)
 PIN: BRASS (t=0.12)
 金具: リン青銅 (t=0.2)
 FITTING NAIL: PHOSPHOR BRONZE (t=0.2)
2. メッキ仕様 PLATING
 ピン PIN
 金メッキ 0.2 マイクロメートル以上 (コンタクト部)
 GOLD 0.2MICROMETER MINIMUM (CONTACT AREA)
 金メッキ 0.4 マイクロメートル以下 (テール部)
 GOLD 0.4MICROMETER MAXIMUM (TAIL AREA)
 下地メッキ: ニッケルメッキ 1.5 マイクロメートル以上
 UNDER PLATING: NICKEL 1.5MICROMETER MINIMUM
 金具 FITTING NAIL
 錫メッキ 1.0 マイクロメートル以上
 TIN PLATING 1.0MICROMETER MINIMUM
 下地メッキ: ニッケルメッキ 1.0 マイクロメートル以上
 UNDER PLATING: NICKEL 1.0MICROMETER MINIMUM

3. (全極数/2) = 偶数の場合に適用。
 APPLY FOR (CIRCUIT/2)=EVEN.
4. 嵌合相手: 51338シリーズ, 500913シリーズ
 MATE WITH: 51338 SERIES, 500913SERIES.
5. テール平坦度は、0.08以下
 テール及び金具の平坦度は、0.1以下
 TAIL COPLANARITY TO BE 0.08MAXIMUM
 TAIL AND FITTING NAIL
 COPLANARITY TO BE 0.1 MAXIMUM
6. ELV 及び RoHS 適合品
 ELV AND RoHS COMPLIANT.

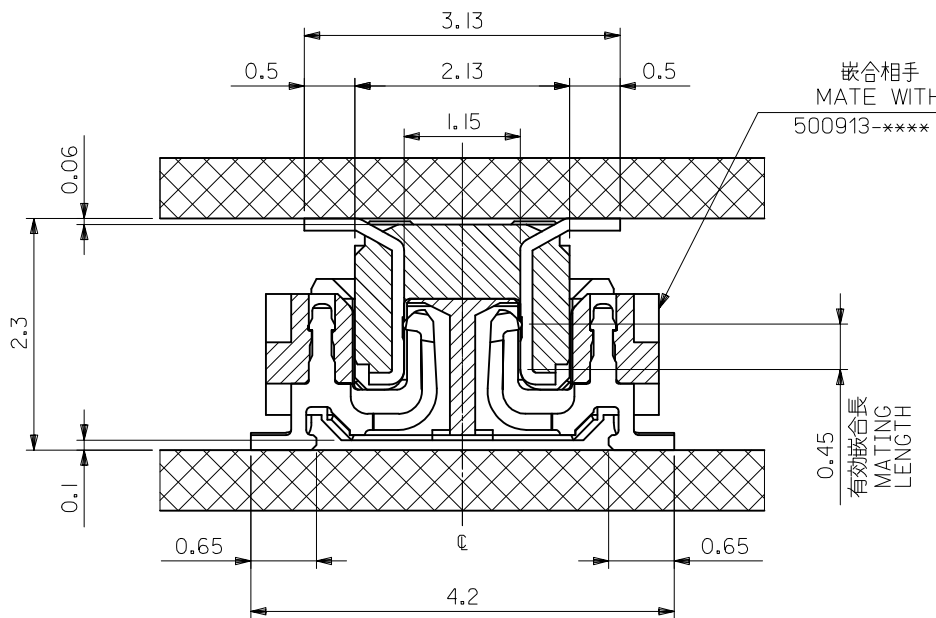
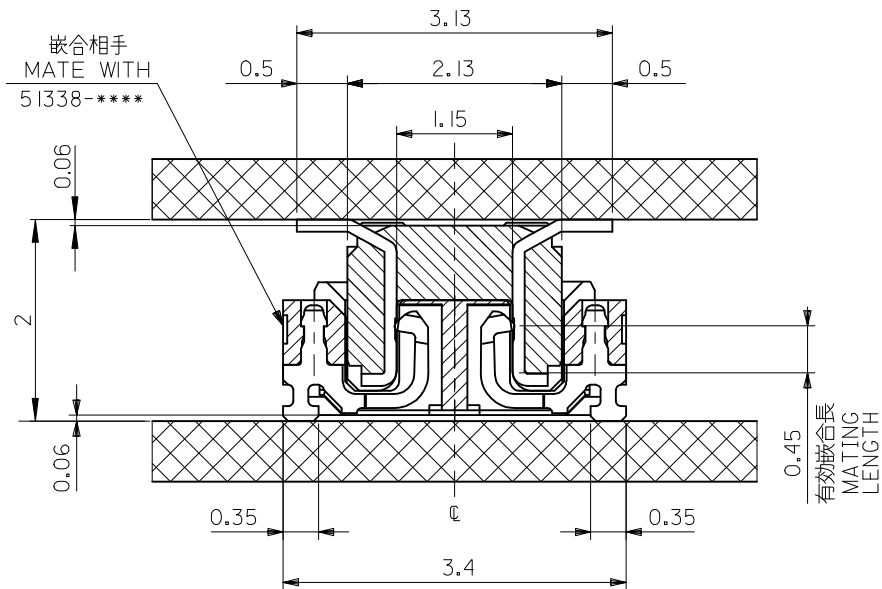


-	O	17.2	15.6	18.0	501745-0801	80
O	O	15.2	13.6	16.0	501745-0701	70
O	O	13.2	11.6	14.0	501745-0601	60
-	O	12.0	10.4	12.8	501745-0541	54
O	O	11.2	9.6	12.0	501745-0501	50
O	O	9.2	7.6	10.0	501745-0401	40
-	O	8.0	6.4	8.8	501745-0341	34
O	O	7.2	5.6	8.0	501745-0301	30
-	O	3.6	2.0	4.4	501745-9901	12
2.3	2.0	C		B	A	EMBOSSED PACKAGE
MATED HEIGHT		C		B	A	ORDER NO. オーダー番号
					CONNECTOR SERIES No.	501745-***0

REVISED EC NO: J2015-0594 DRWN: YSATO06 2014/10/31 CHKD: TASAKAWA 2014/11/05 APPR: KMORIKAWA 2014/11/06	GENERAL TOLERANCES (UNLESS SPECIFIED)		DIMENSION STYLE MM ONLY		SCALE ---	DESIGN UNITS METRIC	THIRD ANGLE PROJECTION
	10 UNDER	±0.2	DRAWN BY K. SAITO	DATE 2007/03/01	TITLE 0.4 B-TO-B CONN. PLUG ASSY (HGT=2/2.3) WITH NAIL		
	10 OVER 30 UNDER	±0.25	CHECKED BY K. KASAHARA	DATE 2007/03/01			
	30 OVER	±0.3	APPROVED BY N. UKITA	DATE 2007/03/01			
ANGULAR	±3 °	MATERIAL NO. SEE CHART		DOCUMENT NO. SD-501745-001	SHEET NO. 1 OF 2		
DRAFT WHERE APPLICABLE MUST REMAIN WITHIN DIMENSIONS		THIS DRAWING CONTAINS INFORMATION THAT IS PROPRIETARY TO MOLEX INCORPORATED AND SHOULD NOT BE USED WITHOUT WRITTEN PERMISSION					

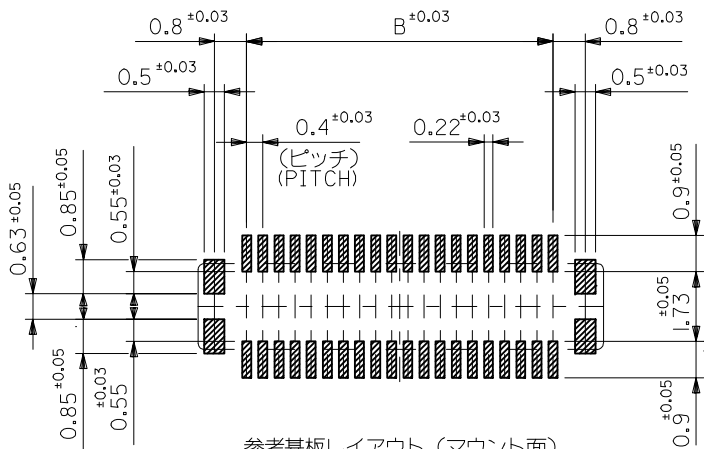
10 9 8 7 6 5 4 3 2 1

F



嵌合断面図 (参考)
MATED DRAWING (REFERENCE)

嵌合断面図 (参考)
MATED DRAWING (REFERENCE)



参考基板レイアウト (マウント面)
P.C.BOARD PATTERN DIMENSION.
(REFERENCE)
(MOUNTING AREA)

REVISED	EC NO: J2015-0594	2014/10/31
	DRWN: YSATO06	2014/11/05
	CHKD: TASAKAWA	2014/11/06
	APPR: KMORIKAWA	
REV	DESCRIPTION	

GENERAL TOLERANCES (UNLESS SPECIFIED)	
10 UNDER	±0.2
10 OVER 30 UNDER	±0.25
30 OVER	±0.3
ANGULAR ±3 °	
DRAFT WHERE APPLICABLE MUST REMAIN WITHIN DIMENSIONS	

DIMENSION STYLE	
MM ONLY	
DRAWN BY	DATE
K. SAITO	2007/03/01
CHECKED BY	DATE
K. KASAHARA	2007/03/01
APPROVED BY	DATE
N. UKITA	2007/03/01
MATERIAL NO.	
SEE CHART 1	
SIZE	
A3	

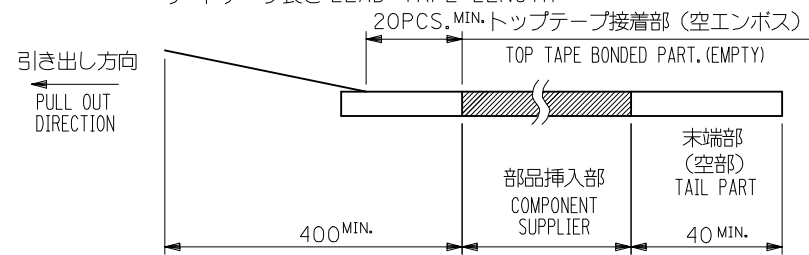
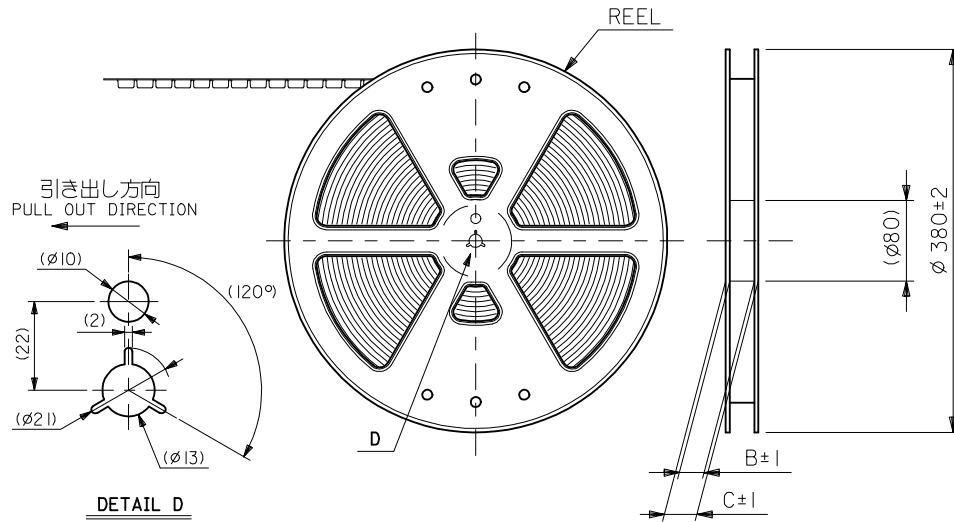
CONNECTOR SERIES No.		501745-***0
SCALE	DESIGN UNITS	THIRD ANGLE PROJECTION
---	METRIC	
TITLE		
0.4 B-TO-B CONN. PLUG ASSY (HGT=2/2.3) WITH NAIL		
DOCUMENT NO.		
SD-501745-001		
SHEET NO.		2 OF 2



9 8 7 6 5 4 3 2

NOTES

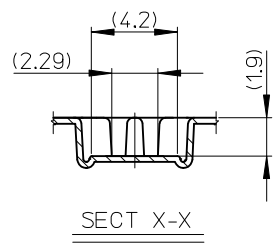
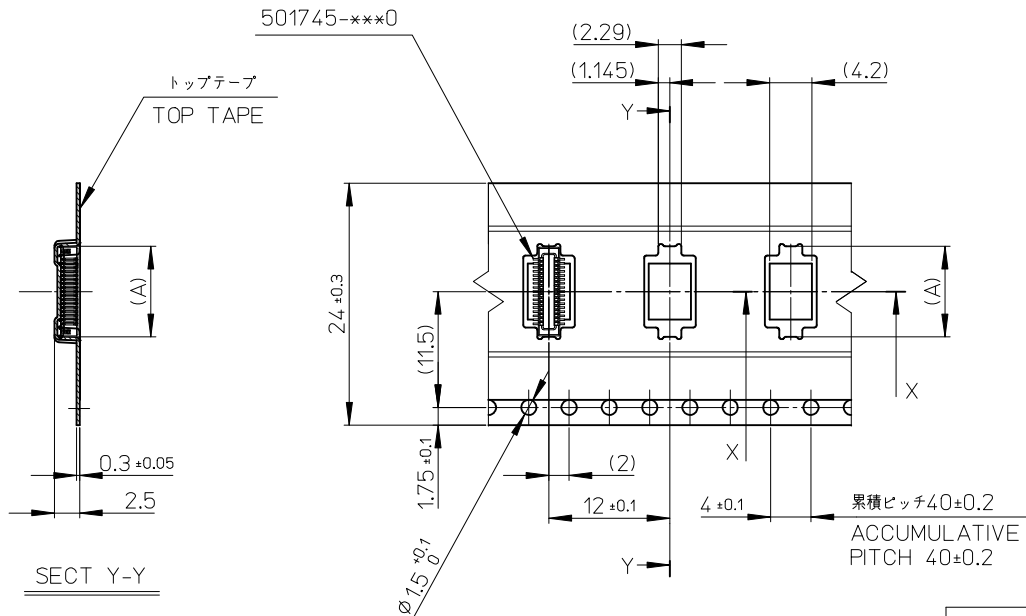
- 製品詳細寸法については製品単体図面を参照下さい。
RE DETAILED DIMENSION, SEE PRODUCT DRAWING.
- 梱包数量：2500個/リール
NUMBER OF CONNECTORS : 2500PCS/REEL
- リードテープ長さ LEAD TAPE LENGTH



- 材料 MATERIAL
 キャリアテープ (CARRIER TAPE) : ホリスチレン (POLYSTYRENE) (30-80CKT)
 ホリプロピレン (POLYPROPYLENE) (12CKT)
 トップテープ (TOP TAPE) : PET, PE, PEF
 リール (REEL) : ホリスチレン (PS) <リサイクル材を含む>
 POLYSTYRENE (PS) <RECYCLE MATERIAL CONTAINED>
- ELV 及び RoHS 適合品
 ELV AND RoHS COMPLIANT.

REVISED EC NO: J2014-1234 DRWN: YSATO06 CHKD: TASAKAWA APPR: KMORIKAWA	2014/02/05 2014/05/09 2014/05/12	GENERAL TOLERANCES (UNLESS SPECIFIED)		DIMENSION STYLE MM ONLY		SCALE ---	DESIGN UNITS METRIC	THIRD ANGLE PROJECTION		
		10 UNDER	±0.2	DRAWN BY K. SAITO	DATE 2007/03/01	TITLE 0.4 B/B CONN. PLUG ASSY (HGT=2/2.3) EMBSTP PKG				
		10 OVER 30 UNDER	±0.25	CHECKED BY K. KASAHARA	DATE 2007/03/01					
		30 OVER	±0.3	APPROVED BY N. UKITA	DATE 2007/03/01					
ANGULAR ±3 °		DRAFT WHERE APPLICABLE MUST REMAIN WITHIN DIMENSIONS		MATERIAL NO. SEE CHART		DOCUMENT NO. SD-501745-002		SHEET NO. 1 OF 4		
				SIZE A3		THIS DRAWING CONTAINS INFORMATION THAT IS PROPRIETARY TO MOLEX INCORPORATED AND SHOULD NOT BE USED WITHOUT WRITTEN PERMISSION				

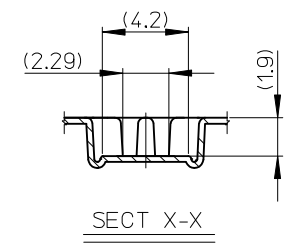
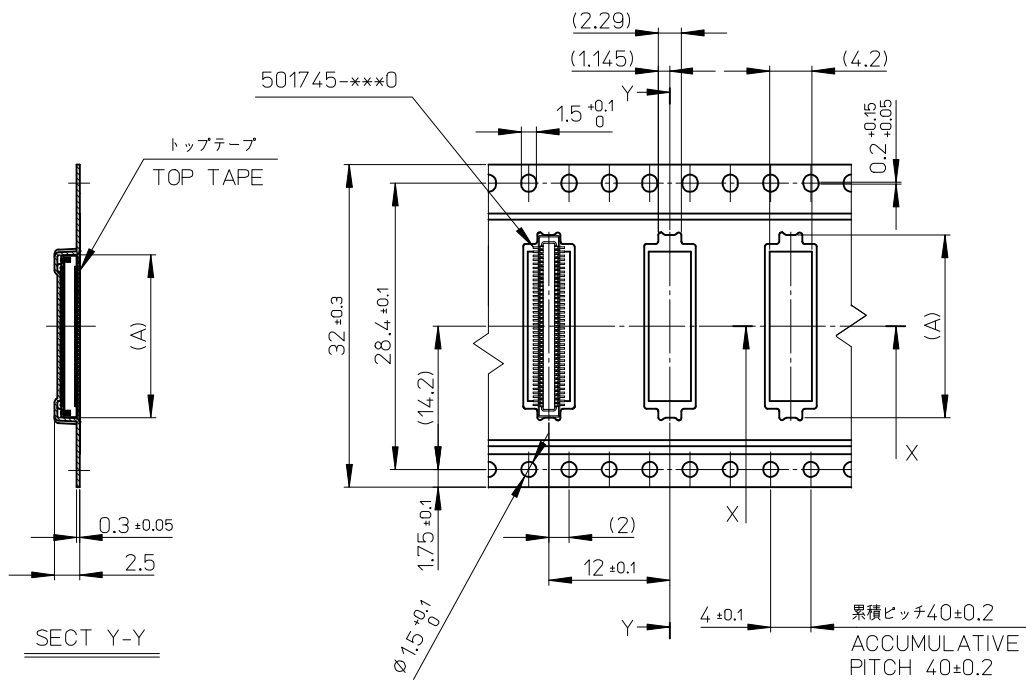
引き出し方向
PULL OUT
DIRECTION



24	29.4	25.4	14.16	501745-0601	60
			12.96	501745-0541	54
			12.16	501745-0501	50
			10.16	501745-0401	40
			8.96	501745-0341	34
			8.16	501745-0301	30
キャリアテープ幅 CARRIER TAPE WIDTH	C	B	(A)	オーダー番号 ORDER NO.	極数 CKT.

REVISED EC NO: J2014-1234 DRWN: YSAI006 CHKD: TASAKAWA APPR: KMORIKAWA 2014/02/05 2014/05/09 2014/05/12	DESCRIPTION GENERAL TOLERANCES (UNLESS SPECIFIED) 10 UNDER ±0.2 10 OVER 30 UNDER ±0.25 30 OVER ±0.3 ANGULAR ±3 ° DRAFT WHERE APPLICABLE MUST REMAIN WITHIN DIMENSIONS	DIMENSION STYLE MM ONLY	SCALE ---	DESIGN UNITS METRIC	CONNECTOR SERIES No. 501745-***0 THIRD ANGLE PROJECTION
		DRAWN BY K. SAITO	DATE 2007/03/01	TITLE 0.4 B/B CONN. PLUG ASSY (HGT=2/2.3) EMBSTP PKG	
		CHECKED BY K. KASAHARA	DATE 2007/03/01	molex	
		APPROVED BY N. UKITA	DATE 2007/03/01	MATERIAL NO. SEE CHART	DOCUMENT NO. SD-501745-002

引き出し方向
PULL OUT
DIRECTION



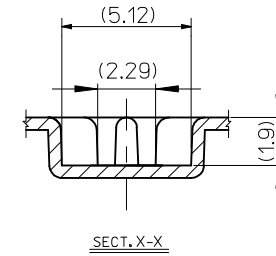
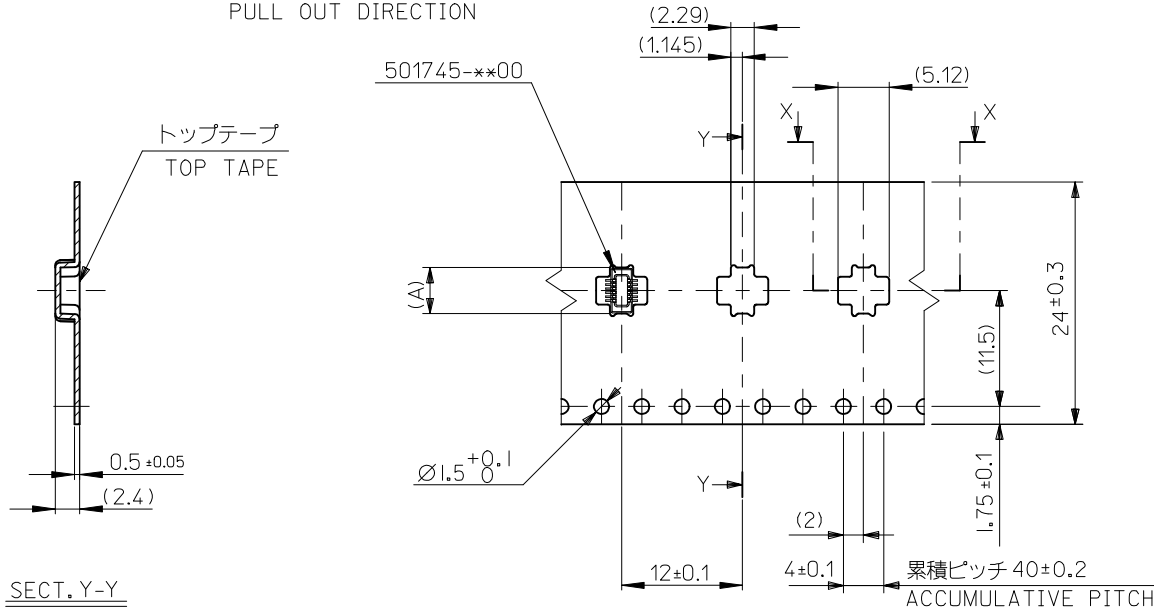
SECT Y-Y

32	37.4	33.4	18.16	501745-0801	80
			16.16	501745-0701	70
キャリアテープ幅 CARRIER TAPE WIDTH	C	B	(A)	オーダー番号 ORDER NO.	極数 CKT.

CONNECTOR SERIES No. | 501745-***0

REVISED EC NO: J2014-1234 DRWN: YSAI006 CHKD: TASAKAWA APPR: KMORIKAWA 2014/02/05 2014/05/09 2014/05/12	GENERAL TOLERANCES (UNLESS SPECIFIED)		DIMENSION STYLE MM ONLY		SCALE ---	DESIGN UNITS METRIC		THIRD ANGLE PROJECTION	
	10 UNDER	± 0.2	DRAWN BY K. SAITO	DATE 2007/03/01	TITLE 0.4 B/B CONN. PLUG ASSY (HGT=2/2.3) EMBSTP PKG				
	10 OVER 30 UNDER	± 0.25	CHECKED BY K. KASAHARA	DATE 2007/03/01	molex DOCUMENT NO. SD-501745-002 SHEET NO. 3 OF 4				
	30 OVER	± 0.3	APPROVED BY N. UKITA	DATE 2007/03/01					
ANGULAR	± 3 °	MATERIAL NO.		SEE CHART					
DRAFT WHERE APPLICABLE MUST REMAIN WITHIN DIMENSIONS		THIS DRAWING CONTAINS INFORMATION THAT IS PROPRIETARY TO MOLEX INCORPORATED AND SHOULD NOT BE USED WITHOUT WRITTEN PERMISSION							

引き出し方向
PULL OUT DIRECTION



注記) 製品がポケット内に問題なく収まること。
NOTE. Pocket should contain product smoothly.

SECT. Y-Y

24	29.4	25.4	4.56	501745-9901	12
キャリアテープ幅 CARRIER TAPE WIDTH	C	B	(A)	オーダー番号 ORDER NO.	極数 CKT.

CONNECTOR SERIES No. | 501745-***0

REVISED EC NO: J2014-1234 DRWN: YSATO06 CHKD: TASAKAWA APPR: KMORIKAWA 2014/02/05 2014/05/09 2014/05/12	GENERAL TOLERANCES (UNLESS SPECIFIED)		DIMENSION STYLE MM ONLY	SCALE 1:1	DESIGN UNITS METRIC	THIRD ANGLE PROJECTION
	10 UNDER	±0.2	DRAWN BY KTOYODA	DATE 2011/03/22	TITLE 0.4 B/B CONN. PLUG ASSY (HGT=2/2.3) EMBSTP PKG	
	10 OVER 30 UNDER	±0.25	CHECKED BY	DATE	molex DOCUMENT NO. SD-501745-002 SHEET NO. 4 OF 4	
	30 OVER	±0.3	APPROVED BY MSASAO	DATE 2011/03/28		
ANGULAR ±1 °	DRAFT WHERE APPLICABLE MUST REMAIN WITHIN DIMENSIONS		MATERIAL NO.	SEE CHART		
REV	DESCRIPTION		SIZE A3	THIS DRAWING CONTAINS INFORMATION THAT IS PROPRIETARY TO MOLEX INCORPORATED AND SHOULD NOT BE USED WITHOUT WRITTEN PERMISSION		