

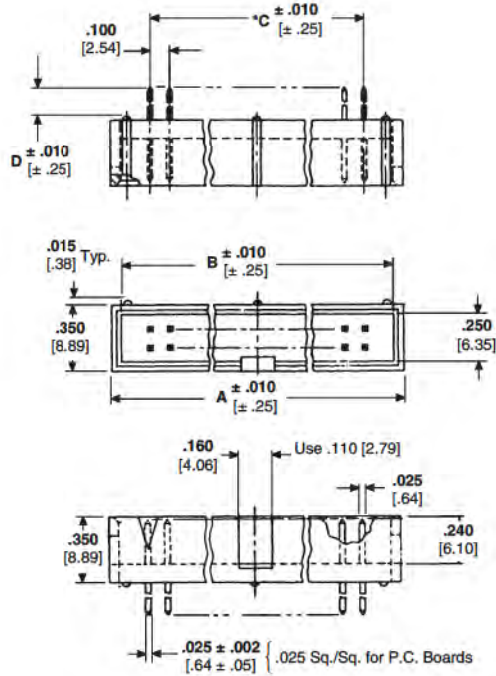
### ANSLEY 609 Box Header, Straight PCB Mounting .100 x .100 [2.54 x 2.54] Centres

**Box Header**  
**.025 [0.64] Square**  
**Straight Post**



**Material and Finish:**

- Contact material**—Phosphor Bronze
- Contact area plating**—0.76µm Au
- Colour**—Blue
- Insulation material**—Glass filled thermoplastic
- Flammability**—UL 94V-0
- Current Rating**—1A
- Insulation resistance**— $1 \times 10^9 \Omega$  @ 500V dc
- Dielectric strength**—>1000V rms at sea level
- Temperature rating**—-55 to +125°C



No. of Ways	Dimensions			without Latches	
	A	B	C	Part Ref	Part Number
10	.800 20.32	.700 17.78	.400 10.16	609-1027	4-1437044-3
14	1.000 25.40	.900 22.86	.600 15.24	609-1427	5-1437044-9
16	1.100 27.94	1.000 25.40	.700 17.75	609-1627	8-1437044-0
20	1.300 33.02	1.200 30.48	.900 22.86	609-2027	0-1437045-2
26	1.600 40.64	1.500 38.10	1.200 30.48	609-2627	3-1437045-2
34	2.000 50.80	1.900 48.26	1.600 40.64	609-3427	5-1437045-4
40	2.300 58.42	2.200 55.88	1.900 48.26	609-4027	8-1437045-3
50	2.800 71.12	2.700 68.58	2.400 60.96	609-5027	1-1437046-5
60	3.300 83.82	3.200 81.28	2.900 73.66	609-6027	3-1437046-4
64	3.500 88.90	3.400 86.36	3.100 78.74	609-6427	4-1437046-6

### ANSLEY 609 Box Header with Latches, Straight PCB Mounting, .100 x .100 [2.54 x 2.54] Centres

#### Box Header with Latches .025 [0.64] Square Straight Post



#### Material and Finish:

- Contact material**—Phosphor Bronze
- Contact area plating**—0.76µm Au
- Colour**—Blue
- Insulation material**—Glass filled thermoplastic
- Flammability**—UL 94V-0
- Current Rating**—1A
- Insulation resistance**— $1 \times 10^9 \Omega$  @ 500V dc
- Dielectric strength**—>1000V rms at sea level
- Temperature rating**—-55 to +125°C

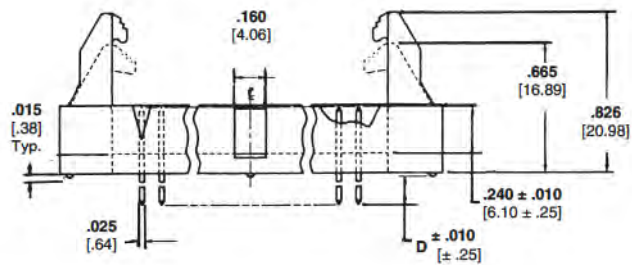
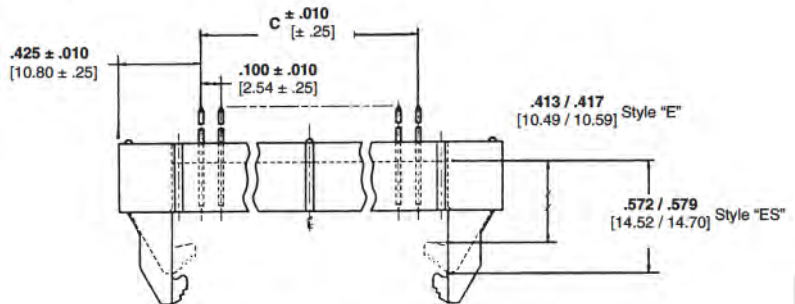
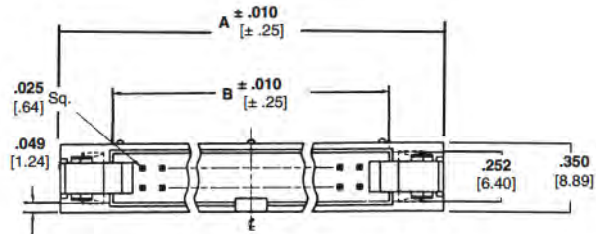
### 609 - XX XX

# of Positions

Tail Style

E (Ejector)

ES Ejector for Strain Relief



No. of Ways	Dimensions			with Short Latches		with Long Latches	
	A	B	C	Part Ref	Part Number	Part Ref	Part Number
10	.800 20.32	.700 17.78	.400 10.16	609-1027E	0-1437049-9	609-1027ES	1-1437049-0
14	1.000 25.40	.900 22.86	.600 15.24	609-1427E	3-1437049-2	609-1427ES	3-1437049-3
16	1.100 27.94	1.000 25.40	.700 17.75	609-1627E	5-1437049-0	609-1627ES	5-1437049-2
20	1.300 33.02	1.200 30.48	.900 22.86	609-2027E	7-1437049-1	609-2027ES	7-1437049-2
26	1.600 40.64	1.500 38.10	1.200 30.48	609-2627E	1-1437050-0	609-2627ES	1-1437050-1
34	2.000 50.80	1.900 48.26	1.600 40.64	609-3427E	3-1437050-6	609-3427ES	3-1437050-7
40	2.300 58.42	2.200 55.88	1.900 48.26	609-4027E	7-1437050-7	609-4027ES	7-1437050-8
50	2.800 71.12	2.700 68.58	2.400 60.96	609-5027E	2-1437051-2	609-5027ES	2-1437051-3
60	3.300 83.82	3.200 81.28	2.900 73.66	609-6027E	6-1437051-2	609-6027ES	6-1437051-4
64	3.500 88.90	3.400 86.36	3.100 78.74	609-6427E	8-1437051-5	609-6427ES	8-1437051-6



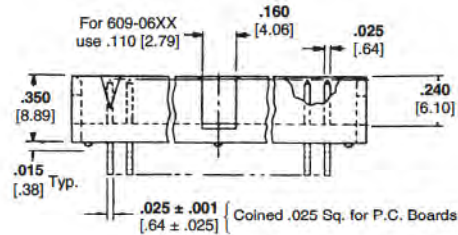
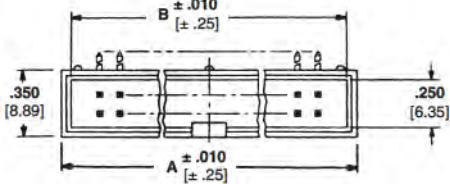
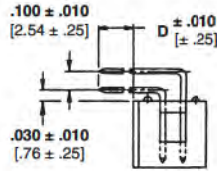
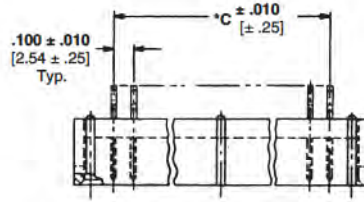
### ANSLEY 609 Box Header, Right Angle PCB Mounting, .100 x .100 [2.54 x 2.54] Centres

**Box Header**  
**.025 [0.64] Square**  
**Right-Angle Post**



**Material and Finish:**

- Contact material**—Phosphor Bronze
- Contact area plating**—0.76µm Au
- Colour**—Blue
- Insulation material**—Glass filled thermoplastic
- Flammability**—UL 94V-0
- Current Rating**—1A
- Insulation resistance**— $1 \times 10^9 \Omega$  @ 500V dc
- Dielectric strength**—>1000V rms at sea level
- Temperature rating**—-55 to +125°C



No. of Ways	Dimensions			without Latches	
	A	B	C	Part Ref	Part Number
10	.800 20.32	.700 17.78	.400 10.16	609-1007	3-1437044-7
14	1.000 25.40	.900 22.86	.600 15.24	609-1407	5-1437044-3
16	1.100 27.94	1.000 25.40	.700 17.75	609-1607	7-1437044-3
20	1.300 33.02	1.200 30.48	.900 22.86	609-2007	9-1437044-5
26	1.600 40.64	1.500 38.10	1.200 30.48	609-2607	2-1437045-5
34	2.000 50.80	1.900 48.26	1.600 40.64	609-3407	4-1437045-7
40	2.300 58.42	2.200 55.88	1.900 48.26	609-4007	7-1437045-3
50	2.800 71.12	2.700 68.58	2.400 60.96	609-5007	0-1437046-6
60	3.300 83.82	3.200 81.28	2.900 73.66	609-6007	3-1437046-1
64	3.500 88.90	3.400 86.36	3.100 78.74	609-6407	4-1437046-3

### ANSLEY 609 Box Header with Latches, Right Angle PCB Mounting, .100 x .100 [2.54 x 2.54] Centres

#### Box Header with Latches .025 [0.64] Square Right-Angle Post



#### Material and Finish:

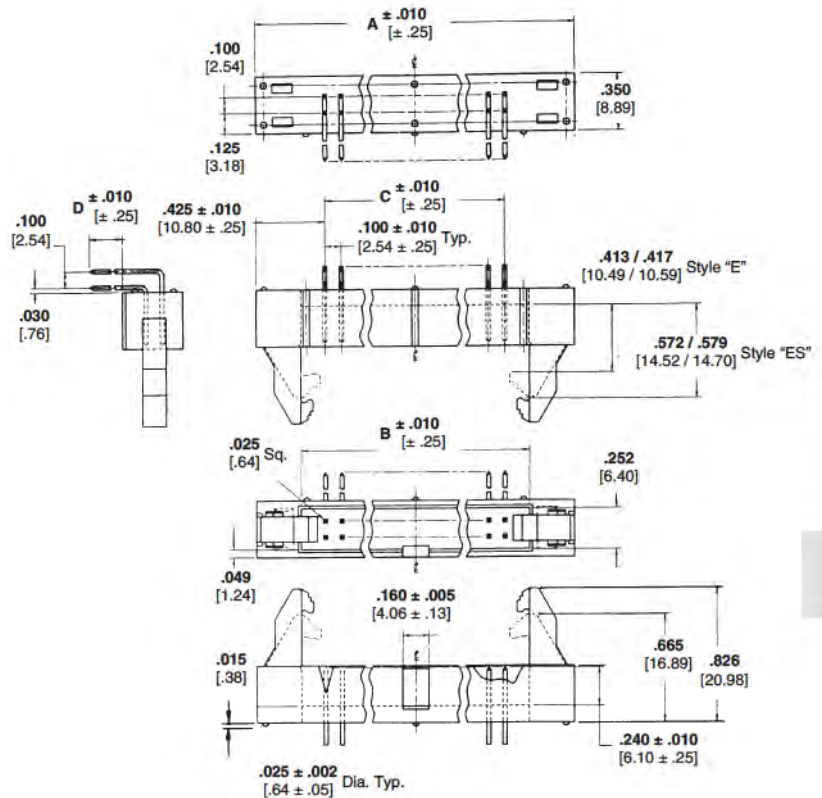
- Contact material**—Phosphor Bronze
- Contact area plating**—0.76µm Au
- Colour**—Blue
- Insulation material**—Glass filled thermoplastic
- Flammability**—UL 94V-0
- Current Rating**—1A
- Insulation resistance**— $1 \times 10^9 \Omega$  @ 500V dc
- Dielectric strength**—>1000V rms at sea level
- Temperature rating**—-55 to +125°C

## 609 - XX XX

# of Positions  
Tail Style



E (Ejector)  
ES Ejector for Strain Relief



No. of Ways	Dimensions			with Short Latches		with Long Latches	
	A	B	C	Part Ref	Part Number	Part Ref	Part Number
10	.800 20.32	.700 17.78	.400 10.16	609-1007E	0-1437049-3	609-1007ES	0-1437049-4
14	1.000 25.40	.900 22.86	.600 15.24	609-1407E	2-1437049-6	609-1407ES	2-1437049-7
16	1.100 27.94	1.000 25.40	.700 17.75	609-1607E	4-1437049-4	609-1607ES	4-1437049-5
20	1.300 33.02	1.200 30.48	.900 22.86	609-2007E	6-1437049-3	609-2007ES	6-1437049-4
26	1.600 40.64	1.500 38.10	1.200 30.48	609-2607E	0-1437050-2	609-2607ES	0-1437050-3
34	2.000 50.80	1.900 48.26	1.600 40.64	609-3407E	2-1437050-9	609-3407ES	3-1437050-0
40	2.300 58.42	2.200 55.88	1.900 48.26	609-4007E	6-1437050-4	609-4007ES	6-1437050-7
50	2.800 71.12	2.700 68.58	2.400 60.96	609-5007E	1-1437051-5	609-5007ES	1-1437051-6
60	3.300 83.82	3.200 81.28	2.900 73.66	609-6007E	5-1437051-5	609-6007ES	5-1437051-6
64	3.500 88.90	3.400 86.36	3.100 78.74	—	—	609-6407ES	8-1437051-0



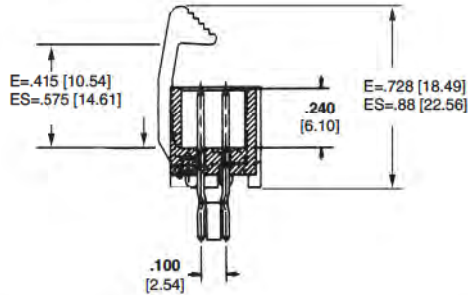
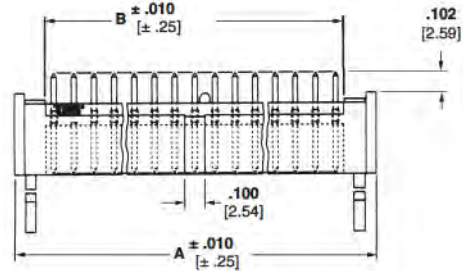
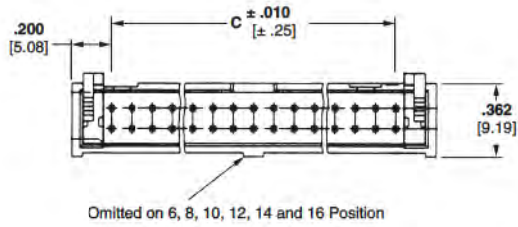
### ANSLEY 501 Box Header with Space Saving Latches, Straight PCB Mounting, .100 x .100 [2.54 x 2.54] Centres, .102 [2.59] Solder Tail

#### Box Header with Latches .025 [0.64] Square Straight Post



#### Material and Finish:

- Contact material**—Phosphor Bronze
- Contact area plating**—0.76µm Au
- Colour**—Blue
- Insulation material**—Glass filled thermoplastic
- Flammability**—UL 94V-0
- Current Rating**—1A
- Insulation resistance**— $1 \times 10^9 \Omega$  @ 500V dc
- Dielectric strength**—>1000V rms at sea level
- Temperature rating**—-55 to +125°C



## 501 - XX XX

# of Positions  
Tail Style

E (Ejector)  
ES Ejector for Strain Relief

No. of Ways	Dimensions			with Short Latches		with Long Latches	
	A	B	C	Part Ref	Part Number	Part Ref	Part Number
10	.800 20.32	.480 12.19	.400 10.16	501-1027E	2-1437063-8	501-1027ES	3-1437063-0
14	1.000 25.40	.680 17.27	.600 15.24	501-1427E	5-1437063-2	501-1427ES	5-1437063-3
16	1.100 27.94	.780 19.81	.700 17.75	501-1627E	6-1437063-3	501-1627ES	6-1437063-4
20	1.300 33.02	.980 24.89	.900 22.86	501-2027E	8-1437063-0	501-2027ES	8-1437063-1
26	1.600 40.64	1.280 32.51	1.200 30.48	501-2627E	0-1437064-3	501-2627ES	0-1437064-5
34	2.000 50.80	1.680 42.67	1.600 40.64	501-3427E	3-1437064-9	501-3427ES	4-1437064-1
40	2.300 58.42	1.980 50.29	1.900 48.26	501-4027E	6-1437064-8	501-4027ES	7-1437064-0
50	2.800 71.12	2.480 62.99	2.400 60.96	501-5027E	9-1437064-8	501-5027ES	0-1437065-1
60	3.300 83.82	2.980 75.69	2.900 73.66	501-6027E	2-1437065-4	501-6027ES	2-1437065-7
64	3.500 88.90	3.180 80.77	3.100 78.74	501-6427E	3-1437065-9	501-6427ES	4-1437065-0

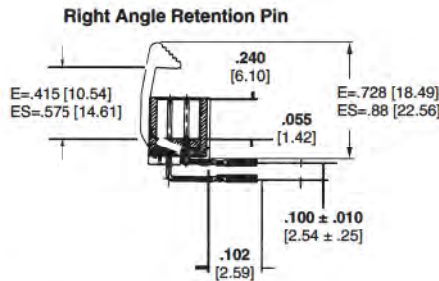
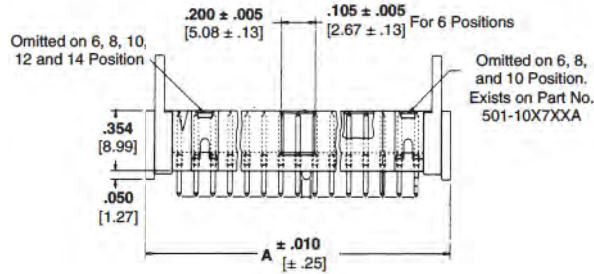
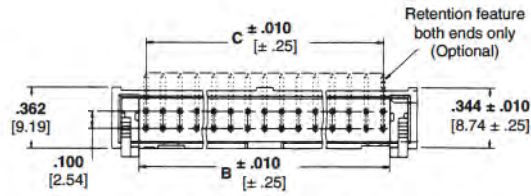
### ANSLEY 501 Box Header with Space Saving Latches, Right Angle PCB Mounting, .100 x .100 [2.54 x 2.54] Centres

#### Box Header with Latches .025 [0.64] Square Right-Angle Post



#### Material and Finish:

**Contact material**—Phosphor Bronze  
**Contact area plating**—0.76µm Au  
**Colour**—Blue  
**Insulation material**—Glass filled thermoplastic  
**Flammability**—UL 94V-0  
**Current Rating**—1A  
**Insulation resistance**—  
 1 x 10<sup>9</sup>Ω @ 500V dc  
**Dielectric strength**—>1000V rms at sea level  
**Temperature rating**—-55 to +125°C



## 501 - XX XX

# of Positions  
Tail Style

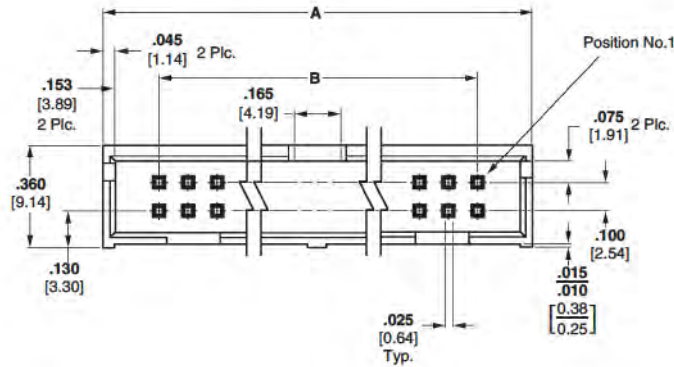
E (Ejector)  
ES Ejector for Strain Relief

No. of Ways	Dimensions			with Short Latches		with Long Latches	
	A	B	C	Part Ref	Part Number	Part Ref	Part Number
10	.800 20.32	.480 12.19	.400 10.16	501-1007E	2-1437063-1	501-1007ES	2-1437063-3
14	1.000 25.40	.680 17.27	.600 15.24	501-1407E	4-1437063-4	501-1407ES	4-1437063-6
16	1.100 27.94	.780 19.81	.700 17.75	501-1607E	5-1437063-6	501-1607ES	5-1437063-8
20	1.300 33.02	.980 24.89	.900 22.86	501-2007E	7-1437063-1	501-2007ES	7-1437063-3
26	1.600 40.64	1.280 32.51	1.200 30.48	501-2607E	9-1437063-5	501-2607ES	9-1437063-7
34	2.000 50.80	1.680 42.67	1.600 40.64	501-3407E	3-1437064-3	501-3407ES	3-1437064-5
40	2.300 58.42	1.980 50.29	1.900 48.26	501-4007E	5-1437064-6	501-4007ES	5-1437064-8
50	2.800 71.12	2.480 62.99	2.400 60.96	501-5007E	8-1437064-8	501-5007ES	9-1437064-1
60	3.300 83.82	2.980 75.69	2.900 73.66	501-6007E	1-1437065-8	501-6007ES	2-1437065-0
64	3.500 88.90	3.180 80.77	3.100 78.74	501-6407E	3-1437065-4	501-6407ES	3-1437065-5



### AMP-LATCH Low Profile Box Headers .100 x .100 [2.54 x 2.54] Centres

#### Box Header .025 [0.64] Square Straight Post



#### Material and Finish:

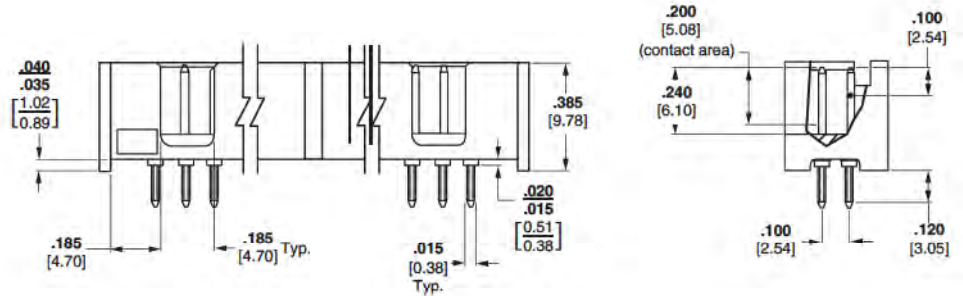
**Housing**—Black thermoplastic, 94V-0 rated, flame retardant

**Contacts**—Copper alloy, duplex plated

#### Plating Specifications:

**Duplex<sup>1</sup>** — .000015 [0.00038] gold on contact area, .000100-.000200 [0.00254-0.00508] tin-lead on solder area, with entire post underplated .000050 [0.00127] nickel

**Duplex<sup>2</sup>** — .000030 [0.00076] gold on contact area, .000100-.000200 [0.00254-0.00508] tin-lead on solder area, with entire post underplated .000050 [0.00127] nickel



#### Electrical Characteristics:

**Contact Current Rating** — 1 ampere (continuous)

**Operating Temperature** — -55°C to +105°C

**Dielectric Withstanding Voltage:**

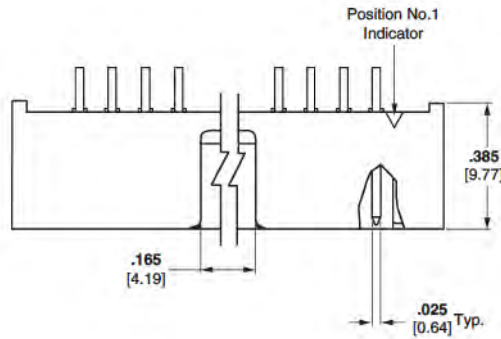
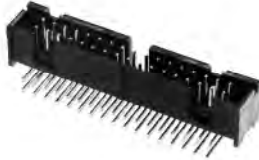
**Pin Connectors** — 500 Volts, RMS

**Ejection Style Pin Headers (all)** — 1000 Volts, RMS

No. of Positions	Dimensions		Part Numbers Post Plating	
	A	B	Duplex <sup>1</sup>	Duplex <sup>2</sup>
10	.800 20.32	.400 10.16	103308-1	103309-1
14	1.000 25.40	.600 15.24	103308-2	103309-2
16	1.100 27.94	.700 17.78	103308-3	103309-3
20	1.300 33.02	.900 22.86	103308-5	103309-5
26	1.600 40.64	1.200 30.48	103308-6	103309-6
34	2.000 50.80	1.600 40.64	103308-7	103309-7
40	2.300 58.42	1.900 48.26	103308-8	103309-8
50	2.800 71.12	2.400 60.96	1-103308-0	1-103309-0
60	3.300 83.82	2.900 73.66	1-103308-2	1-103309-2

### AMP-LATCH Low Profile Box Headers 100 x .100 [2.54 x 2.54] Centres

#### Box Header .025 [0.64] Square Right-Angle Post



#### Material and Finish:

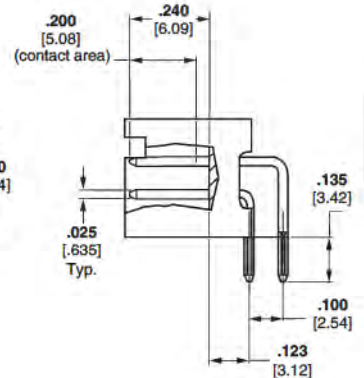
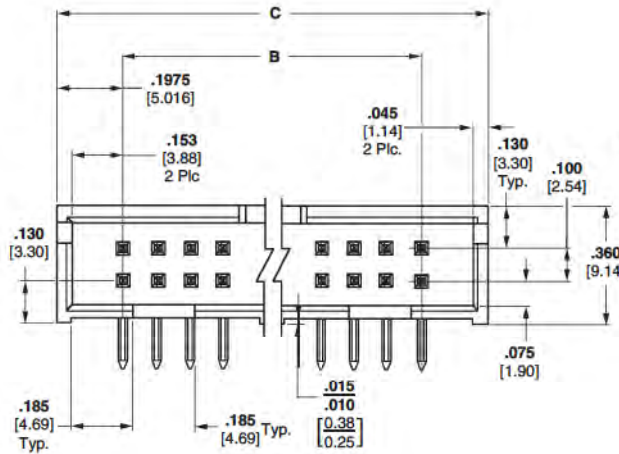
**Housing**—Black thermoplastic, 94V-0 rated, flame retardant

**Contacts**—Copper alloy, duplex plated

#### Plating Specifications:

**Duplex<sup>1</sup>**—.000015 [0.00038] gold on contact area, .000100-.000200 [0.00254-0.00508] tin-lead on solder area, with entire post underplated .000050 [0.00127] nickel

**Duplex<sup>2</sup>**—.000030 [0.00076] gold on contact area, .000100-.000200 [0.00254-0.00508] tin-lead on solder area, with entire post underplated .000050 [0.00127] nickel



#### Electrical Characteristics:

**Contact Current Rating** — 1 ampere (continuous)

**Operating Temperature** — -55°C to +105°C

**Dielectric Withstanding Voltage:**

**Pin Connectors** — 500 Volts, RMS

**Ejection Style Pin Headers (all)** — 1000 Volts, RMS

#### Accessories:

**Snap-In Polariser** — page 4031

No. of Positions	Dimensions		Part Numbers	
	B	C	Duplex <sup>1</sup>	Duplex <sup>2</sup>
10	.400 10.16	.800 20.32	103310-1	103311-1
14	.600 15.24	1.000 25.40	103310-2	103311-2
16	.700 17.78	1.100 27.94	103310-3	103311-3
20	.900 22.86	1.300 33.02	103310-5	103311-5
26	1.200 30.48	1.600 40.64	103310-6	103311-6
34	1.600 40.64	2.000 50.80	103310-7	103311-7
40	1.900 48.26	2.300 58.42	103310-8	103311-8
50	2.400 60.96	2.800 71.12	1-103310-0	1-103311-0
60	2.900 73.66	3.300 83.82	1-103310-2	1-103311-2



### AMP-LATCH Low Profile Box Headers, High Temperature Housings, .100 x .100 [2.54 x 2.54] Centres

**Box Header**  
**.025 [.064] Square**  
**Straight Post**  
**(with Board Retention**  
**Feature)**



**Material and Finish:**

**Housing**—Grey thermoplastic, 94V-0 rated, flame retardant, high temperature compatible

**Contacts**—Copper alloy, duplex plated

**Plating Specifications:**

**Duplex<sup>1</sup>** — .000015 [0.00038] gold on contact area, .000100-.000200 [0.00254-0.00508] tin-lead on solder area, with entire post underplated .000050 [0.00127] nickel

**Electrical Characteristics:**

**Contact Current Rating** — 1 ampere (continuous)

**Operating Temperature** — -55°C to +105°C

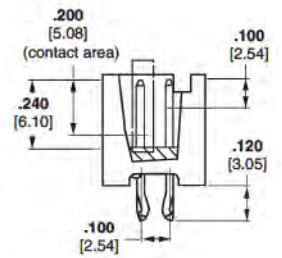
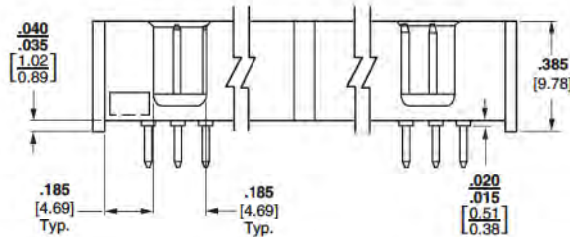
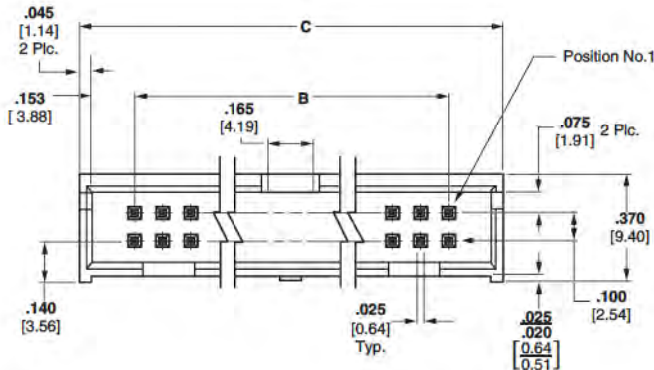
**Dielectric Withstanding Voltage:**

**Pin Connectors** — 500 Volts, RMS

**Ejection Style Pin Headers (all)** — 1000 Volts, RMS

**Accessories:**

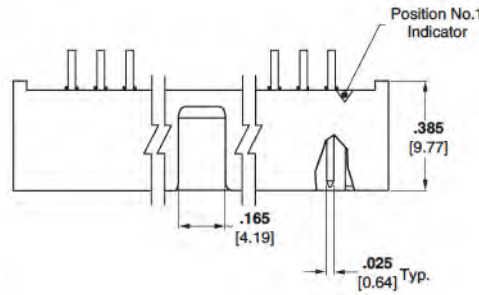
**Snap-In Polariser** — page 4031



No. of Positions	Dimensions		Part Numbers	
	B	C	Duplex <sup>1</sup>	Duplex <sup>2</sup>
10	.400 10.16	.800 20.32	104338-1	104339-1
14	.600 15.24	1.000 25.40	104338-2	104339-2
16	.700 17.78	1.100 27.94	104338-3	104339-3
20	.900 22.86	1.300 33.02	104338-4	104339-4
26	1.200 30.48	1.600 40.64	104338-6	104339-6
34	1.600 40.64	2.000 50.80	104338-7	104339-7
40	1.900 48.26	2.300 58.42	104338-8	104339-8
50	2.400 60.96	2.800 71.12	104338-9	104339-9
60	2.900 73.66	3.300 83.82	1-104338-0	1-104339-0

### AMP-LATCH Low Profile Box Headers — Shrouded High Temperature Housings, with .150 [3.81] End Dimension Double Row, .100 x .100 [2.54 x 2.54] Centres

#### Box Header .025 [0.64] Square Right-Angle Post (with Board Retention Feature)



#### Material and Finish:

**Housing**—Grey thermoplastic, 94V-0 rated, flame retardant, high temperature compatible

**Contacts**—Copper alloy, duplex plated

#### Plating Specifications:

**Duplex<sup>1</sup>** — .000015 [0.00038] gold on contact area, .000100-.000200 [0.00254-0.00508] tin-lead on solder area, with entire post underplated .000050 [0.00127] nickel

#### Electrical Characteristics:

**Contact Current Rating** — 1 ampere (continuous)

**Operating Temperature** — -55°C to +105°C

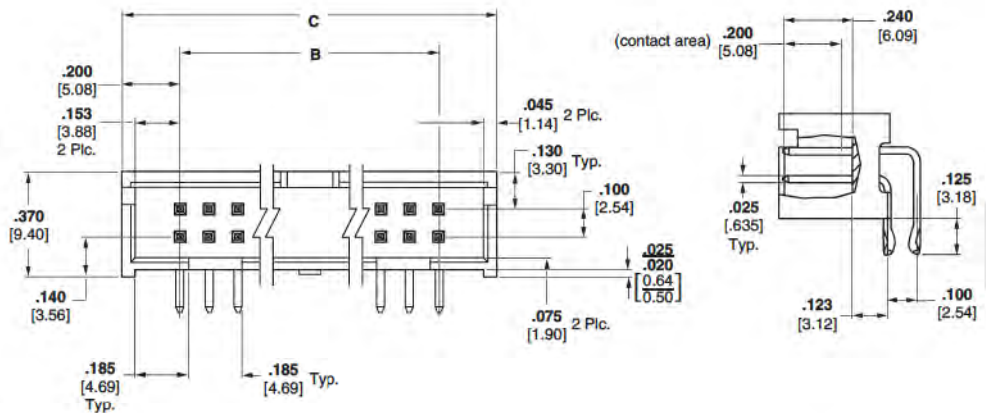
**Dielectric Withstanding Voltage:**

**Pin Connectors** — 500 Volts, RMS

**Ejection Style Pin Headers (all)** — 1000 Volts, RMS

#### Accessories:

**Snap-In Polariser** — page 4031



No. of Positions	Dimensions		Part Numbers	
	B	C	Duplex <sup>1</sup>	Duplex <sup>2</sup>
10	.400 10.16	.800 20.32	104340-1	104341-1
14	.600 15.24	1.000 25.40	104340-2	104341-2
20	.900 22.86	1.300 33.02	104340-4	104341-4
26	1.200 30.48	1.600 40.64	—	104341-6
34	1.600 40.64	2.000 50.80	—	104341-7
40	1.900 48.26	2.300 58.42	104340-8	104341-8
50	2.400 60.96	2.800 71.12	104340-9	104341-9