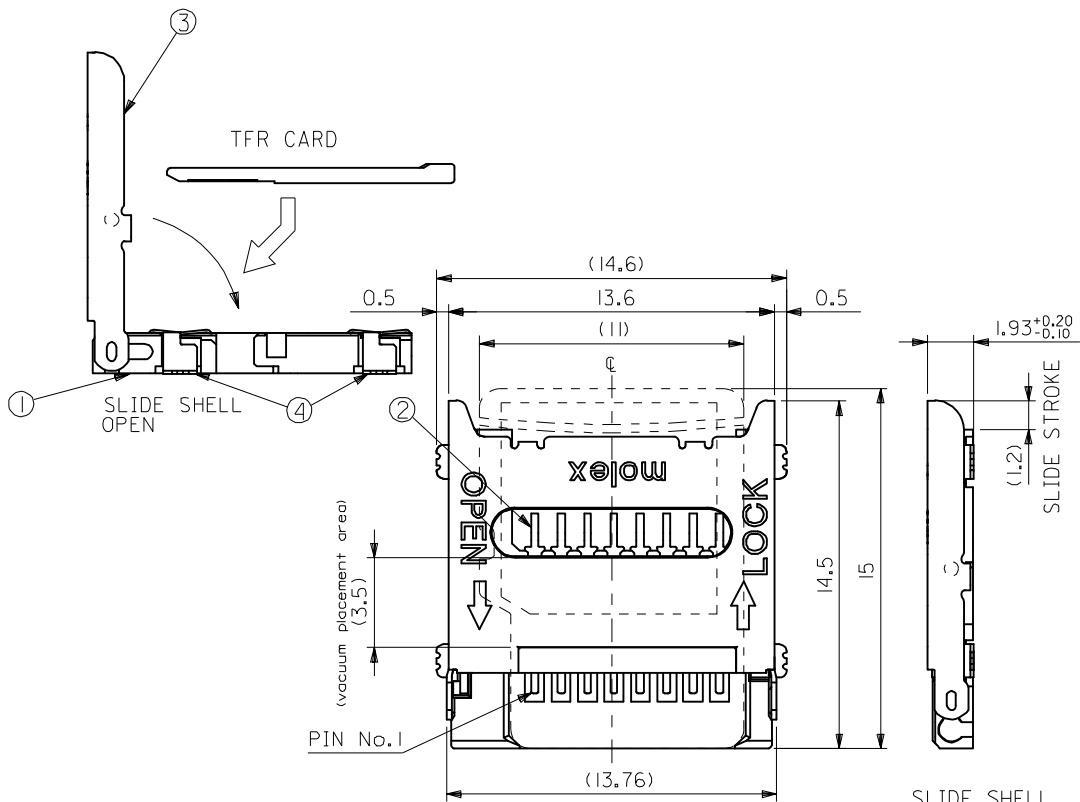
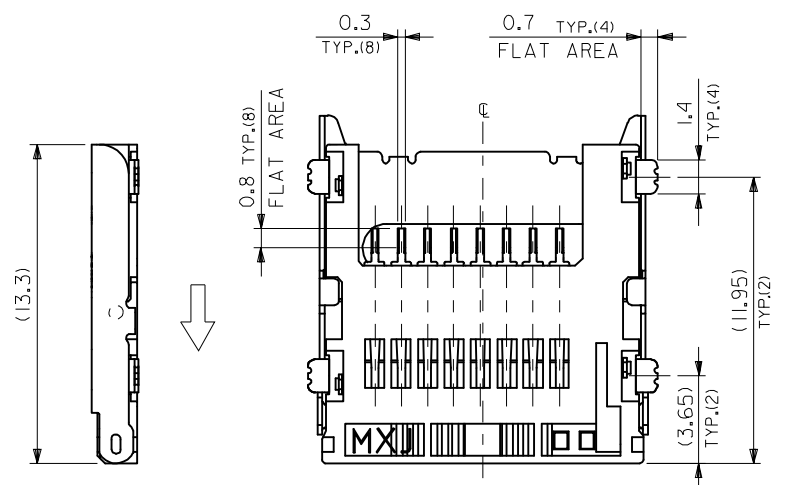


10 9 8 7 6 5 4 3 2 1

F
E
D
C
B
A



NO.	PARTS DESCRIPTION	QTY	MATERIAL	FINISH
①	HOUSING	1	LIQUID CRYSTAL POLYMER (WHITE)	—
②	TERMINAL	8	PHOSPHOR BRONZE	CONTACT AREA:GOLD 0.5um MIN. SOLDER AREA:TIN 1.0um MIN. UNDER PLATING NICKEL 1.0um MIN.
③	SHELL	1	STAINLESS STEEL	—
④	NAIL	4	PHOSPHOR BRONZE	ALL OVER:TIN 1.0um MIN.

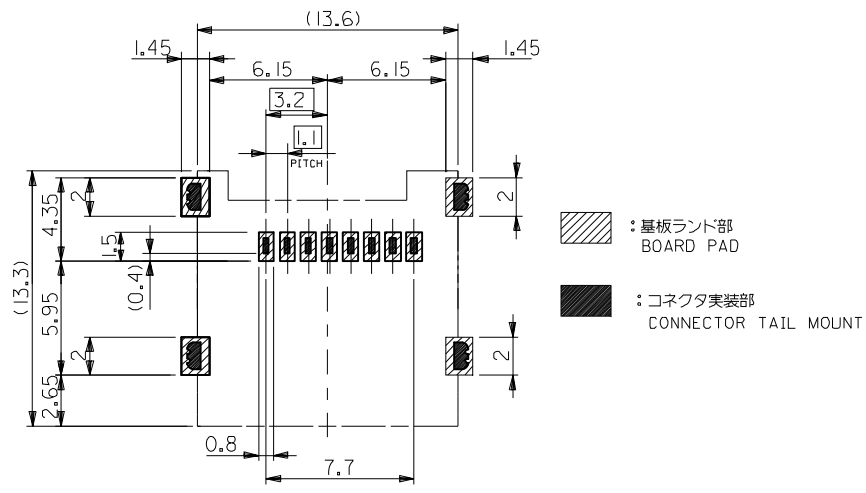


NOTE

* EACH TERMINALS AND NAILS COPLANARITY TO BE 0.1 MAX.

WITH EMBOSSED TAPE	500901-0801	500901-08**
CONNECTOR ONLY	500901-0829	
PACKAGE	MATERIAL No.	MODEL No.

REVISED EC NO: J2005-3187 DRAWN: DRWAKSETO 2005/04/22 CHKD: TWATANABE 2005/04/22 APPR: JMIYAZAWA 2005/04/28	GENERAL TOLERANCES (UNLESS SPECIFIED)		DIMENSION STYLE	SCALE	DESIGN UNITS	THIRD ANGLE PROJECTION
			MM ONLY	5:1	METRIC	
	10 UNDER	± 0.2	DRAWN BY	DATE	TITLE	
	10 OVER 30 UNDER	± 0.25	TWATANABE	05/01/21	TFR MEMORY CARD CONN. HINGE TYPE	
30 OVER	± 0.3	CHECKED BY	DATE	MOLEX INCORPORATED		
ANGULAR	± 3 °	HTAKASE	05/01/21	MATERIAL No. SD-500901-003		
DRAFT WHERE APPLICABLE MUST REMAIN WITHIN DIMENSIONS		APPROVED BY	DATE	DOCUMENT NO.		
		JMIYAZAWA	05/01/21	SEE CHART		
		MATERIAL NO.		SHEET NO. 1 OF 2		
		SIZE	A3	THIS DRAWING CONTAINS INFORMATION THAT IS PROPRIETARY TO MOLEX INCORPORATED AND SHOULD NOT BE USED WITHOUT WRITTEN PERMISSION		

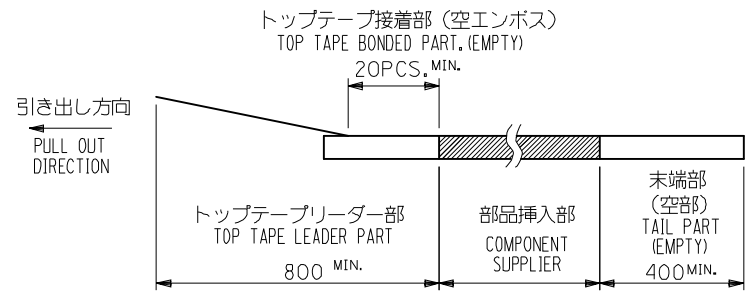
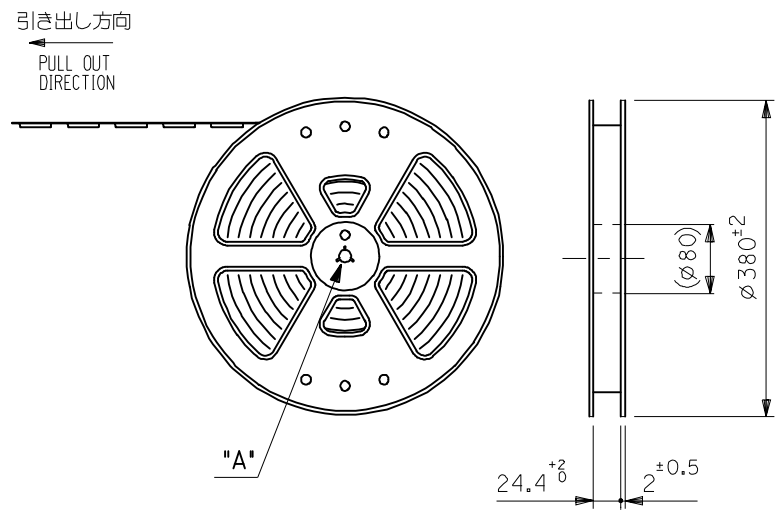


推奨基板寸法(上面図) 一般公差:±0.05
 RECOMMENDED P.C. BOARD LAYOUT(TOP VIEW)
 GENERAL TOLERANCES : ±0.05

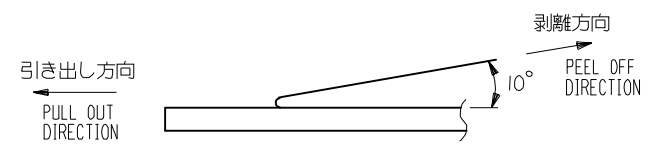
REVISED EC NO: J2005-3187 DRAWN: KSETO 2005/04/22 CHKD: TWATANABE 2005/04/22 APPR: JMIYAZAWA 2005/04/28	GENERAL TOLERANCES (UNLESS SPECIFIED)		DIMENSION STYLE MM ONLY	SCALE 5:1	DESIGN UNITS METRIC	THIRD ANGLE PROJECTION
	10 UNDER	± ---	DRAWN BY TWATANABE	DATE 05/01/21	TITLE TFR MEMORY CARD CONN. HINGE TYPE	
	10 OVER 30 UNDER	± ---	CHECKED BY HTAKASE	DATE 05/01/21	MOLEX INCORPORATED	
	30 OVER	± ---	APPROVED BY JMIYAZAWA	DATE 05/01/21		
ANGULAR	± --- °	MATERIAL NO. SEE CHART		DOCUMENT NO. SD-500901-003	SHEET NO. 2 OF 2	
DRAFT WHERE APPLICABLE MUST REMAIN WITHIN DIMENSIONS		THIS DRAWING CONTAINS INFORMATION THAT IS PROPRIETARY TO MOLEX INCORPORATED AND SHOULD NOT BE USED WITHOUT WRITTEN PERMISSION				

NOTES

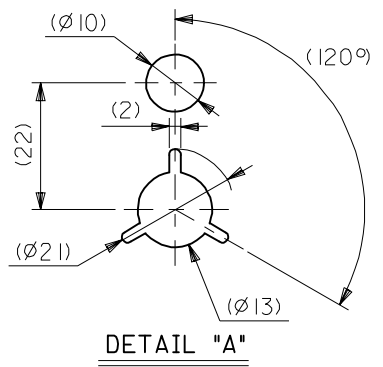
- 製品詳細寸法については、SD図面を参照下さい。
THE DETAIL DIMENSIONS REFER TO SALES DRAWING.
- 梱包数量：1400個/リール
NUMBER OF CONNECTORS：1400PCS/REEL
- リードテープ長さ LEAD TAPE LENGTH



- トップテープの剥離強度：0.1N～1.3N (10.2gf～130gf) (剥離方向は下図参照)
尚、本規格値は出荷時に適用。(但し、輸送時に剥離が発生しないこと。)
PEEL FORCE OF TOP TAPE：0.1N～1.3N (10.2gf～130gf)
(PEEL DIRECTION AS SHOWN IN FOLLOWING FIG.)
THIS REQUIREMENT SHOULD BE APPLIED AT SHIPMENT.
PEEL OFF SHOULD NOT BE ALLOWED, DURING TRANSPORTATION.

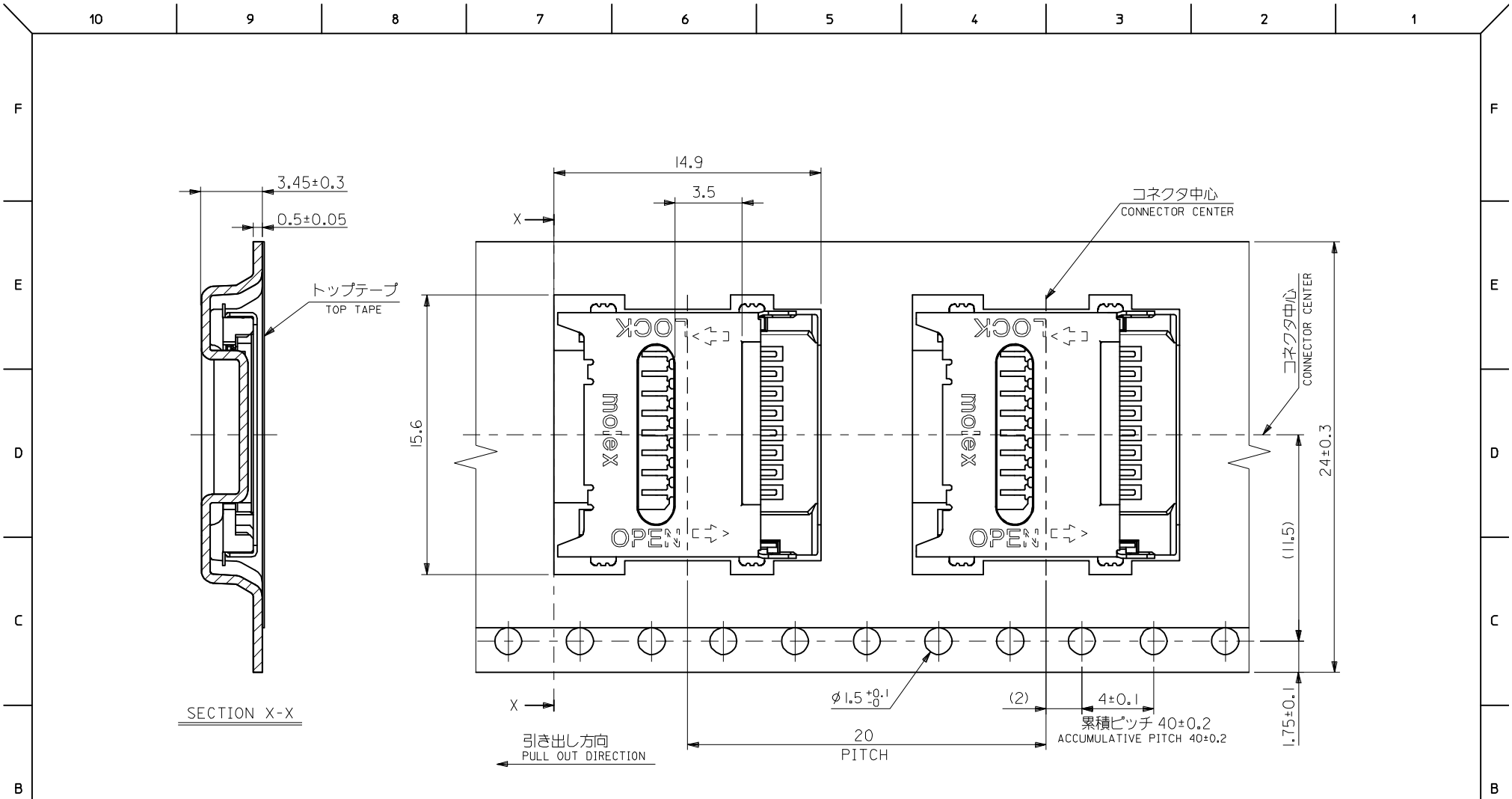


- 材料 (MATERIAL)
キャリアテープ (CARRIER TAPE)：ポリプロピレン (POLYPROPYLENE)
トップテープ (TOPTAPE)：PET, PE, PEF
リール (REEL)：ポリスチレン (PS) <リサイクル材を含む>
POLYSTYRENE (PS) <RECYCLE MATERIAL CONTAINED>



DETAIL "A"

RELEASED EC NO: J2005-2205 DRAWN BY: DRWAKSETO 2005/02/03 CHKD: TWATANABE 2005/02/03 APPR: JMIYAZAWA 2005/02/08	GENERAL TOLERANCES (UNLESS SPECIFIED)		DIMENSION STYLE MM ONLY		SCALE ---	DESIGN UNITS METRIC	THIRD ANGLE PROJECTION
	10 UNDER	± 0.2	DRAWN BY TWATANABE	DATE 05/01/21	TITLE TFR MEMORY CARD CONN. EMBOSSD TAPE PACKAGE		
	10 OVER 30 UNDER	± 0.25	CHECKED BY HTAKASE	DATE 05/01/21			
	30 OVER	± 0.3	APPROVED BY JMIYAZAWA	DATE 05/01/21	MOLEX INCORPORATED		
ANGULAR	± 3 °	MATERIAL NO. 500901-0801	DOCUMENT NO. SD-500901-004	SHEET NO. 1 OF 2			
0	DRAFT WHERE APPLICABLE MUST REMAIN WITHIN DIMENSIONS		THIS DRAWING CONTAINS INFORMATION THAT IS PROPRIETARY TO MOLEX INCORPORATED AND SHOULD NOT BE USED WITHOUT WRITTEN PERMISSION				



SECTION X-X

RELEASED EC NO: J2005-2205 DRW: KASETO 2005/02/03 CHK: TWATANABE 2005/02/03 APPR: JIMYAZAWA 2005/02/08	GENERAL TOLERANCES (UNLESS SPECIFIED)		DIMENSION STYLE MM ONLY		SCALE ---	DESIGN UNITS METRIC	THIRD ANGLE PROJECTION	
	10 UNDER	\pm ---	DRAWN BY TWATANABE	DATE 05/01/21	TITLE TFR MEMORY CARD CONN. EMBOSSED TAPE PACKAGE			
	10 OVER 30 UNDER	\pm ---	CHECKED BY HTAKASE	DATE 05/01/21	MOLEX INCORPORATED			
	30 OVER	\pm ---	APPROVED BY JIMYAZAWA	DATE 05/01/21	DOCUMENT NO. SD-500901-004			
ANGULAR	\pm 3°	MATERIAL NO. 500901-0801		SHEET NO. 2 OF 2		THIS DRAWING CONTAINS INFORMATION THAT IS PROPRIETARY TO MOLEX INCORPORATED AND SHOULD NOT BE USED WITHOUT WRITTEN PERMISSION		
DRAFT WHERE APPLICABLE MUST REMAIN WITHIN DIMENSIONS		SIZE A3						