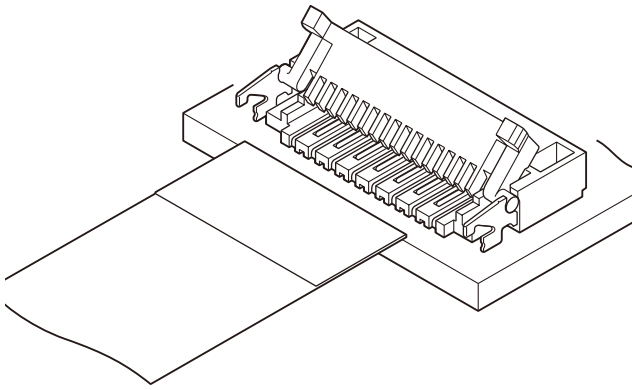




FXR CONNECTOR

0.3mm pitch/Connectors for FPC



This FXR connector is a ZIF type connector for FPC with only 1.0mm height.

- Low profile and ZIF mechanism
- Space saving design
- Heat resisting design suitable for surface mounting

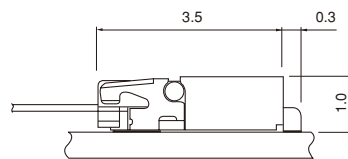
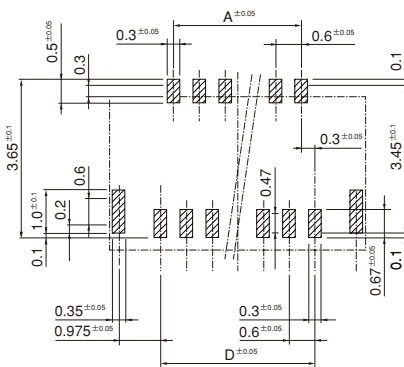
Specifications

- Current rating: 0.2A AC, DC
- Voltage rating: 50V AC, DC
- Temperature range: -25°C to +85°C
(including temperature rise in applying electrical current)
- Contact resistance: Initial value/50m Ω max.
After environmental testing/50m Ω max.
(variation from initial value)
- Insulation resistance: 50M Ω min.
- Withstanding voltage: 200V AC/minute
- Applicable FPC: Conductor pitch/0.3mm
Conductor width/0.3mm
Mating part thickness/0.2±0.03mm
- * Compliant with RoHS.
- * Refer to "General Instruction and Notice when using Terminals and Connectors" at the end of this catalog.
- * Contact JST for details.

Standards

Recognized E60389

PC board layout (viewed from component side) and Assembly layout

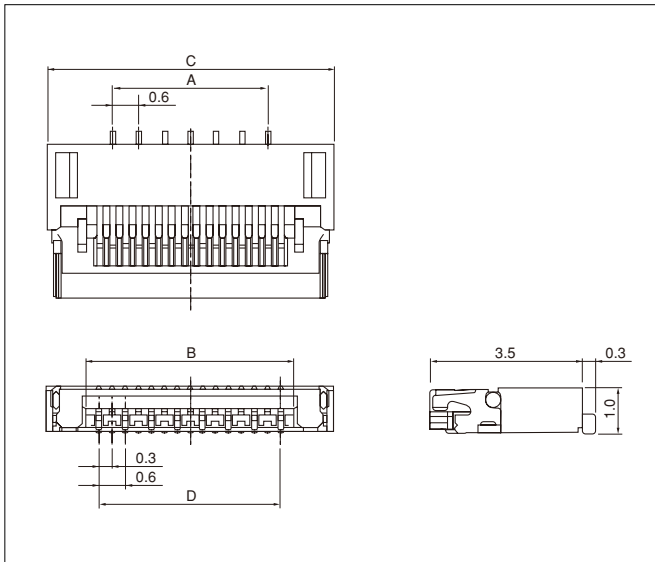


Note: 1. Tolerances are non-cumulative: ±0.05mm for all centers.

2. Hole dimensions differ according to the kind of PC board and piercing method. The dimensions above should serve as a guideline. Contact JST for details.

FXR CONNECTOR

Connector



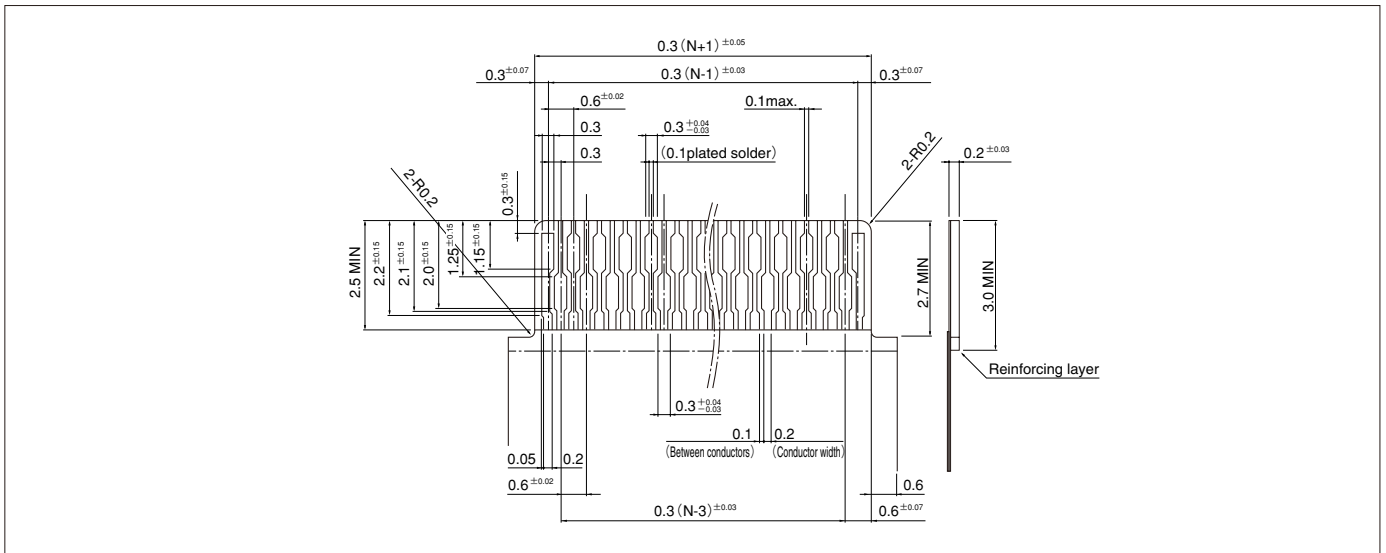
Circuits	Model No.	Dimensions (mm)				Q'ty / reel
		A	B	C	D	
11	11FXR-RSM1-GAN-TB	2.4	3.6	5.4	3.0	5,000
13	13FXR-RSM1-GAN-TB	3.0	4.2	6.0	3.6	5,000
15	15FXR-RSM1-GAN-TB	3.6	4.8	6.6	4.2	5,000
17	17FXR-RSM1-GAN-TB	4.2	5.4	7.2	4.8	5,000
19	19FXR-RSM1-GAN-TB	4.8	6.0	7.8	5.4	5,000
21	21FXR-RSM1-GAN-TB	5.4	6.6	8.4	6.0	5,000
23	23FXR-RSM1-GAN-TB	6.0	7.2	9.0	6.6	5,000
25	25FXR-RSM1-GAN-TB	6.6	7.8	9.6	7.2	5,000
27	27FXR-RSM1-GAN-TB	7.2	8.4	10.2	7.8	5,000
29	29FXR-RSM1-GAN-TB	7.8	9.0	10.8	8.4	5,000
31	31FXR-RSM1-GAN-TB	8.4	9.6	11.4	9.0	5,000
33	33FXR-RSM1-GAN-TB	9.0	10.2	12.0	9.6	5,000
35	35FXR-RSM1-GAN-TB	9.6	10.8	12.6	10.2	5,000
37	37FXR-RSM1-GAN-TB	10.2	11.4	13.2	10.8	5,000
39	39FXR-RSM1-GAN-TB	10.8	12.0	13.8	11.4	5,000
45	45FXR-RSM1-GAN-TB	12.6	13.8	15.6	13.2	5,000
47	47FXR-RSM1-GAN-TB	13.2	14.4	16.2	13.8	5,000
51	51FXR-RSM1-GAN-TB	14.4	15.6	17.4	15.0	5,000
61	61FXR-RSM1-GAN-TB	17.4	18.6	20.4	18.0	5,000

Material and Finish

Contact: Copper alloy, nickel-undercoated, gold-plated (nickel-stripe)
 Cover: PPS, UL94V-0
 Housing: LCP, UL94V-0
 Solder tab: Copper alloy, copper-undercoated, tin-plated (reflow treatment)

RoHS compliance This product displays (LF)(SN)(S)(1) on a label.
 Note: Contact JST for tin-plated products.

Lead section dimensions of FPC



Note: N --- Number of circuits