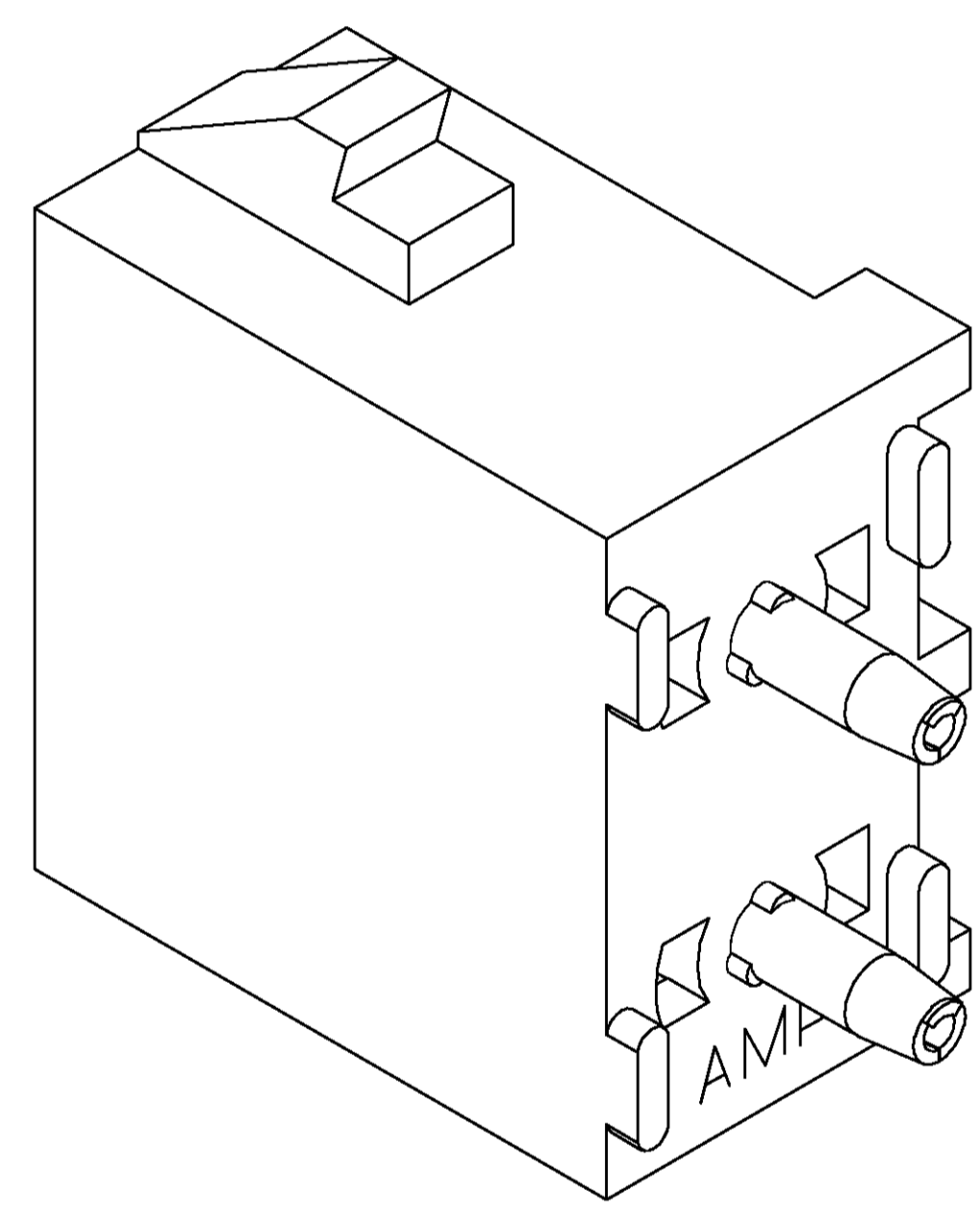
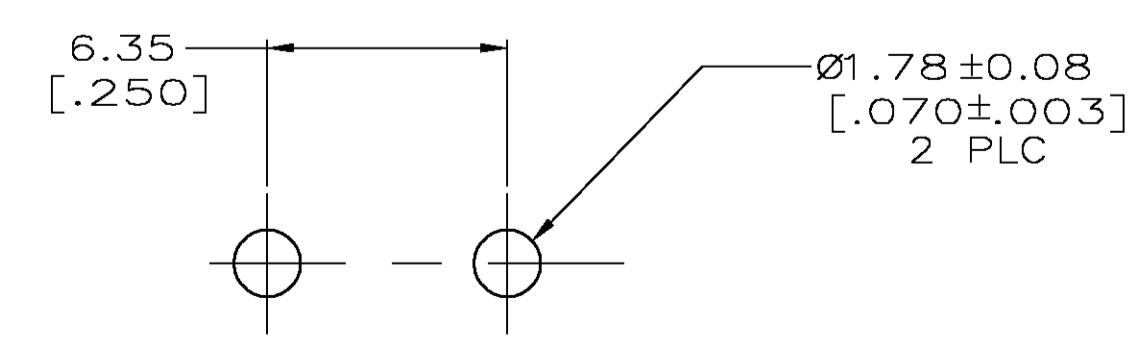
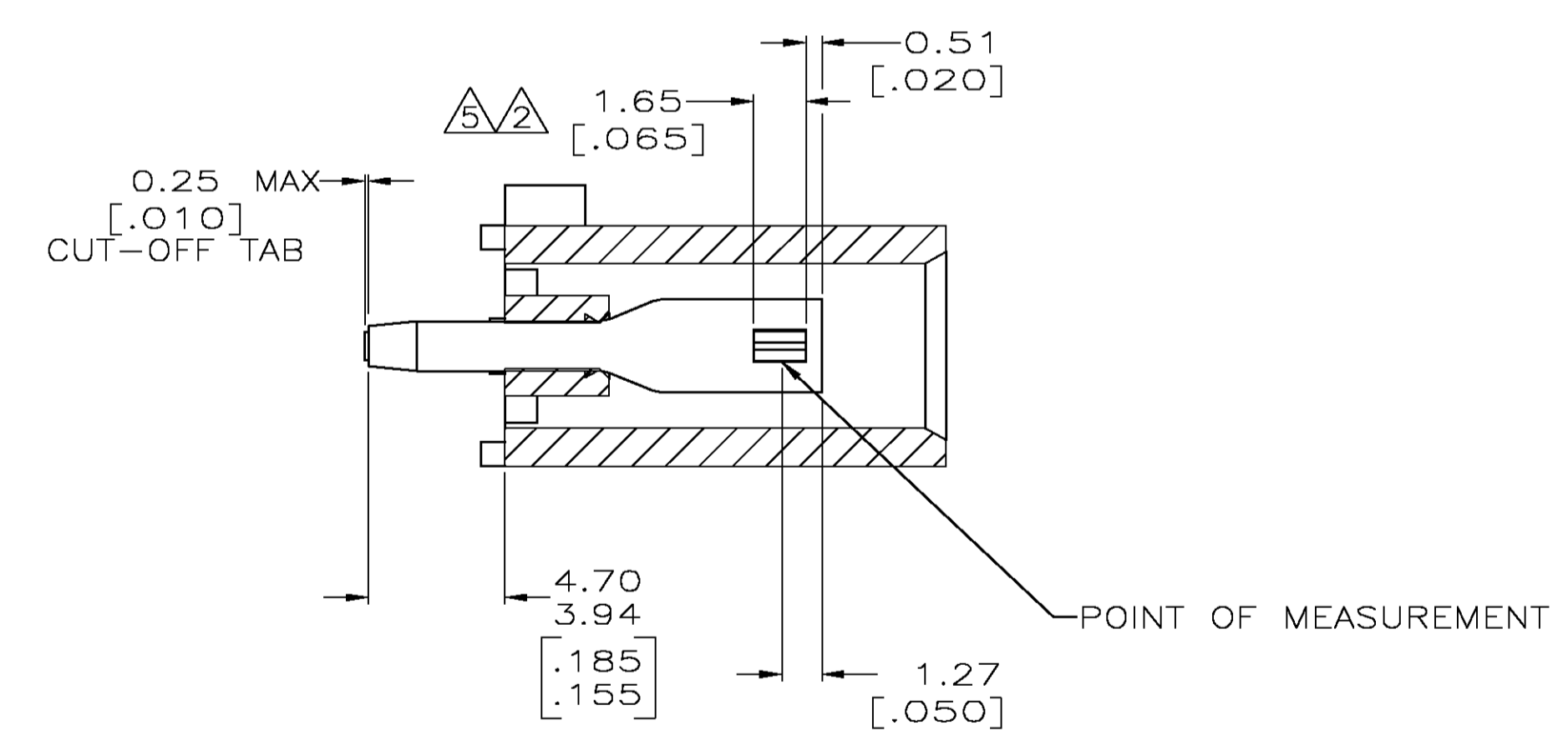


- PARTS COMPLY TO AMP SOLDERABILITY SPECIFICATION 109-11-3.
- CONTACT IS PLATED OVERALL WITH 0.00127 [.000050] NICKEL, THEN 0.00076 [.000030] GOLD OVER CONTACT LENGTH INDICATED AND MATTE TIN LEAD ON SOLDER TAIL END.
- CIRCUIT IDENTIFICATION CHARACTERS ARE ADJACENT TO THE INDICATED CAVITIES, BUT LOCATION AND ORIENTATION MAY DIFFER FROM PRINT.
- DIMENSIONS IN BRACKETS ARE IN INCHES.
- CONTACT IS PLATED OVERALL WITH 0.00127 [.000050] NICKEL, THEN 0.00076 [.000030] GOLD OVER CONTACT LENGTH INDICATED AND MATTE TIN ON SOLDER TAIL END.

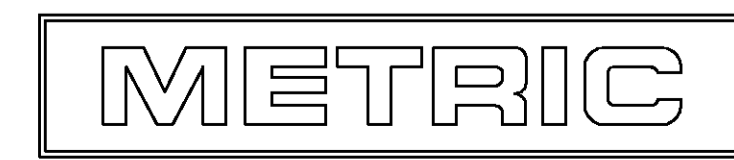


3-DIMENSIONAL MODEL NTS



RECOMMENDED MOUNTING HOLE PATTERN FOR 1.57 [.062] THICK P.C. BOARD

PHOSPHOR BRONZE, GOLD	NYLON, UL94V-0, WHITE	350824-4
PHOSPHOR BRONZE, GOLD	NYLON, UL94V-0, WHITE	350824-2
PHOSPHOR BRONZE, PRE-TIN	NYLON, UL94V-0, WHITE	350824-1
CONTACT MATERIAL AND FINISH	HOUSING MATERIAL	PART NUMBER



THIS DRAWING IS A CONTROLLED DOCUMENT.

DIMENSIONS: mm [INCHES]	TOLERANCES UNLESS OTHERWISE SPECIFIED:	DWN: S LEWIS 8-19-98	CRK: R SWING 8-19-98	APVD: M TRULL 8-19-98	NAME: M TRULL	TYCO Electronics	Tyco Electronics Corporation Greensboro, NC 27409
0 PLC ± -	1 PLC ± -	2 PLC ± 0.13 [.005]	3 PLC ± -	4 PLC ± -	ANGLES ± 0.30°	FINISH	SIZE: A1
MATERIAL: SEE TABLE	FINISH: SEE TABLE	APPLICATION SPEC	WEIGHT	SCALE: 5:1	DRAWING NO: 00779	C=350824	SHEET 1 OF 1
CUSTOMER DRAWING				RESTRICTED TO	SOCKET HEADER ASSEMBLY, 2 CIRCUIT UNIVERSAL MATE-N-LOK™		