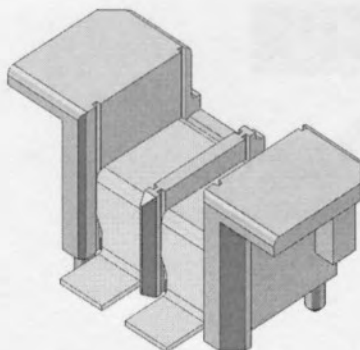




Get Drawing



350006MA002XX00XX

3.50 mm Pitch

Specification

Height Over Board 6.10mm

Low Profile NO

Position of number 002

Solder Type SMT

