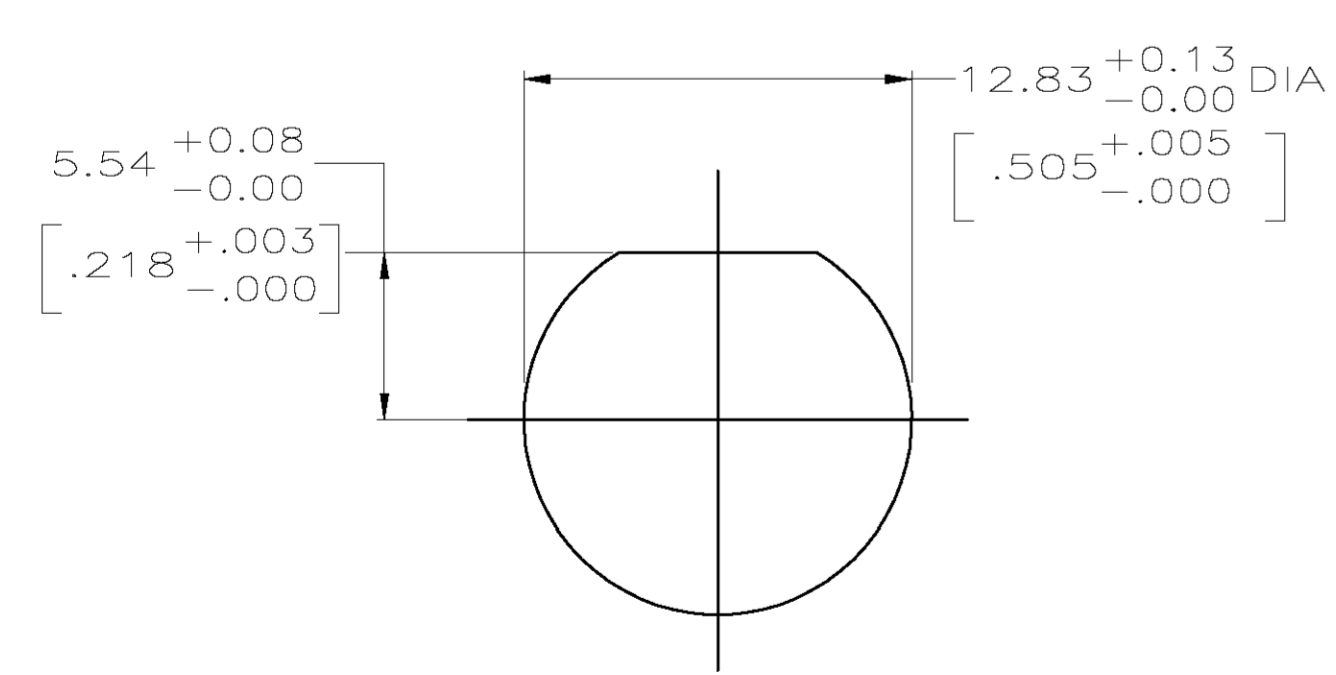
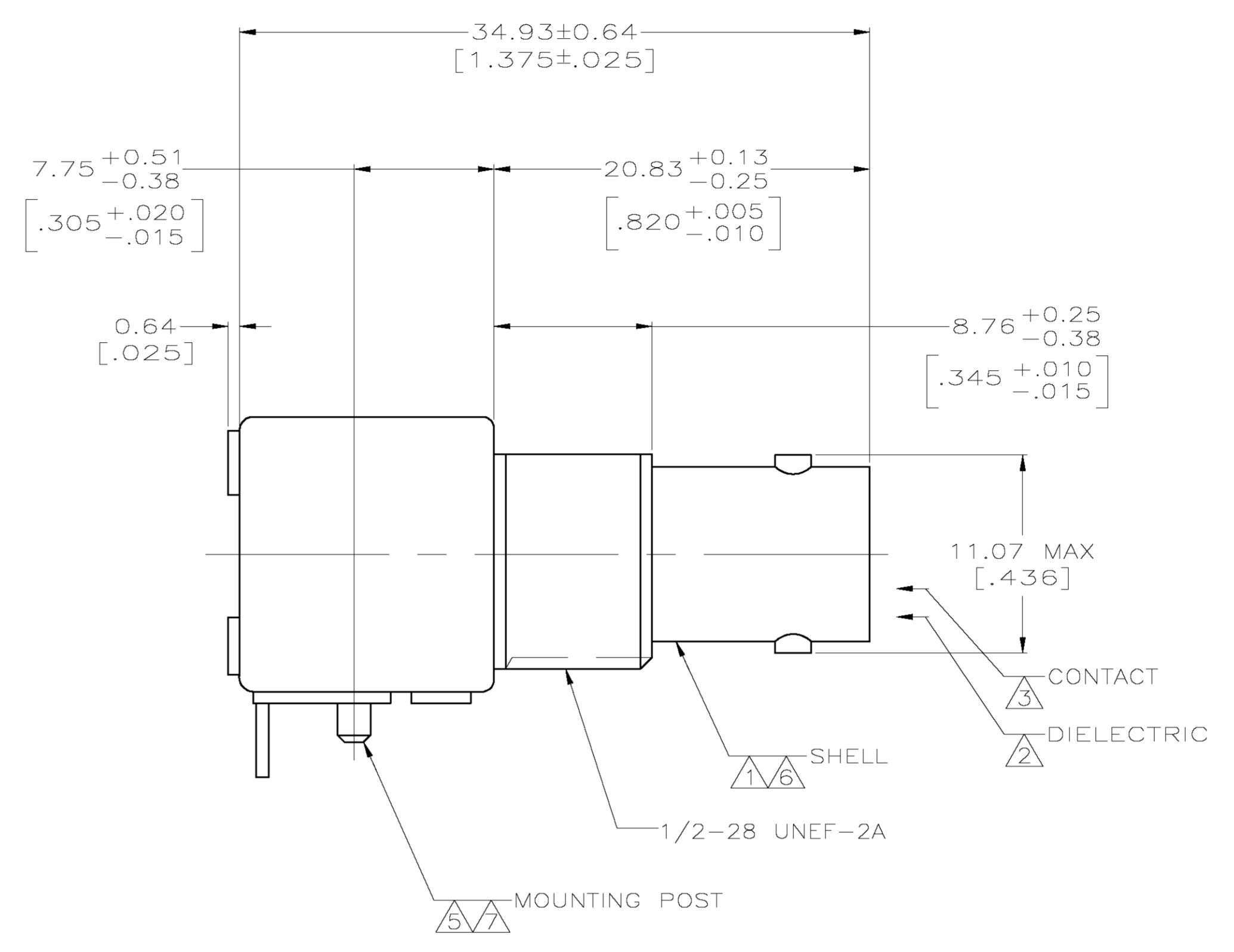
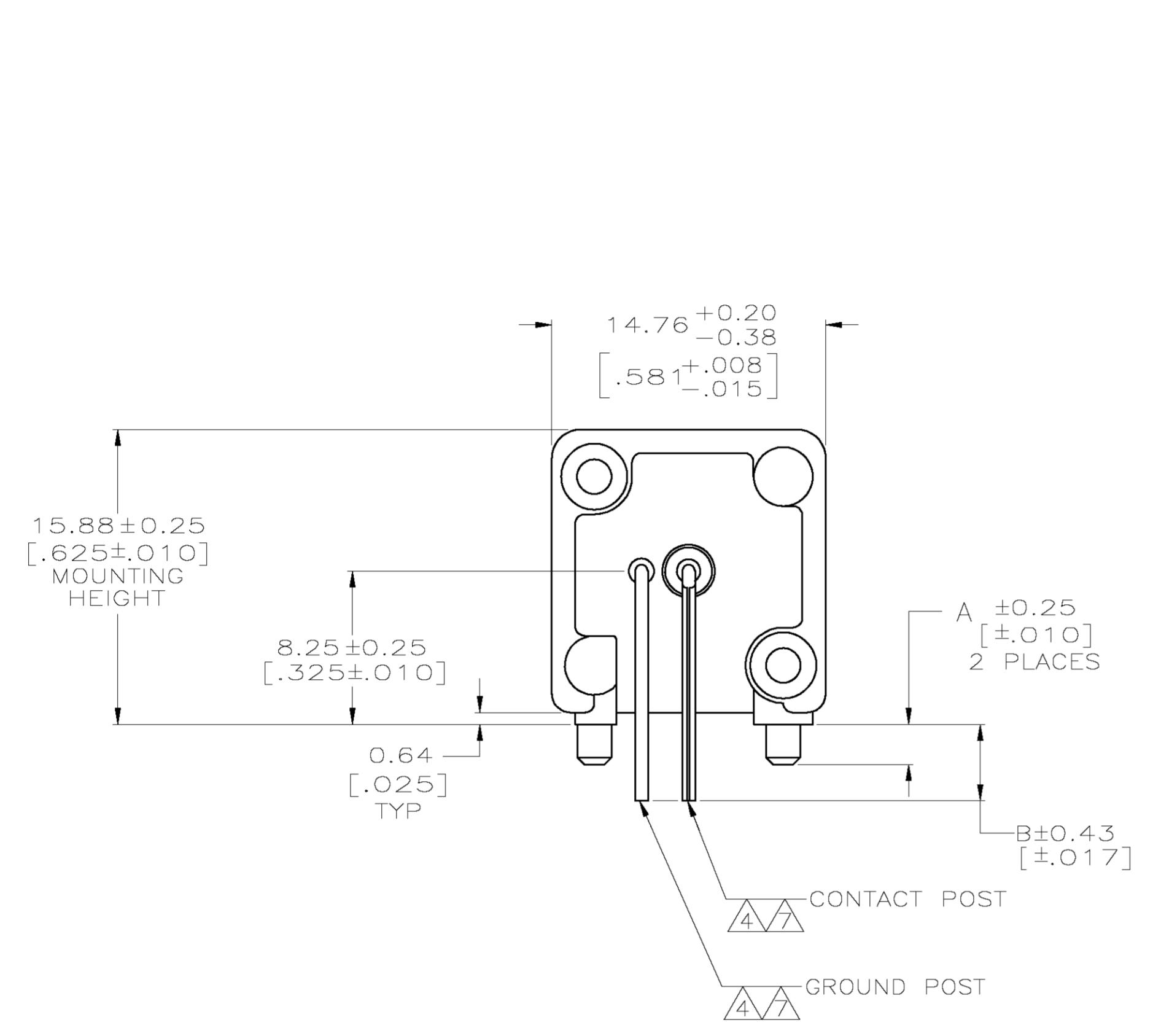
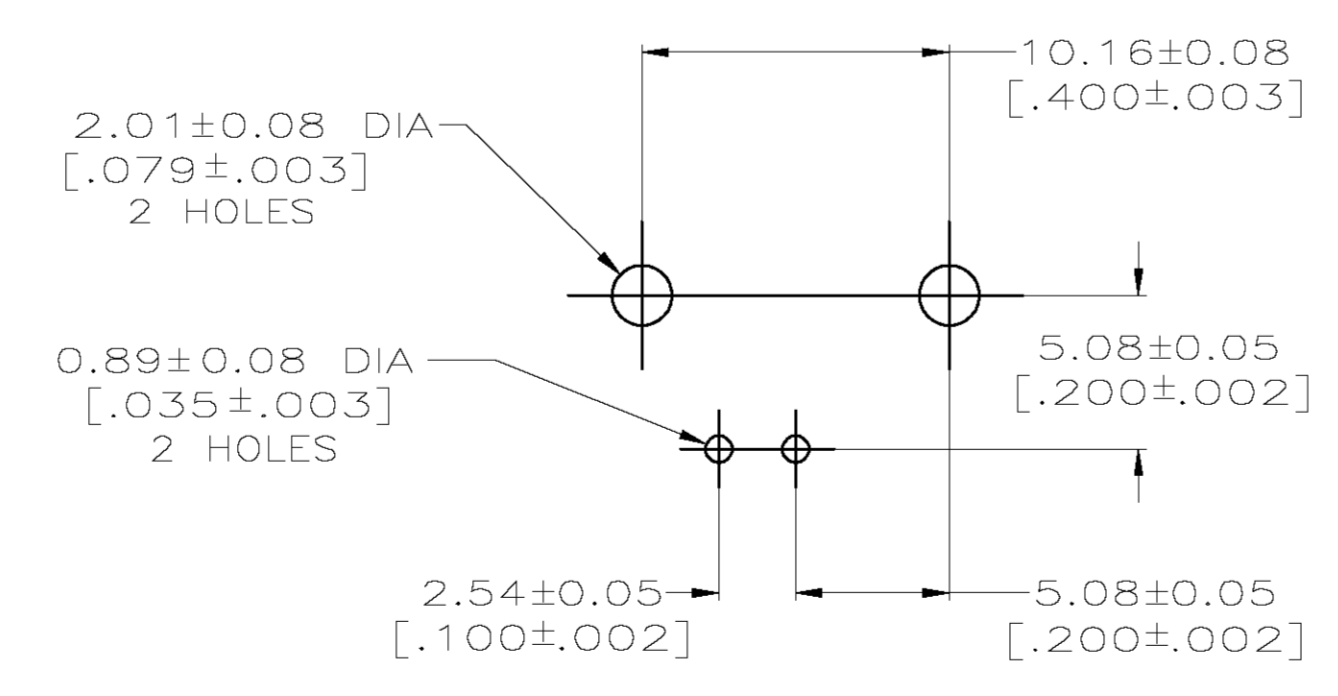


- ① ZINC PER QQ-Z-363.
  - ② POLYMETHYLPENTENE, GENERAL PURPOSE.
  - ③ BERYLLIUM COPPER PER QQ-C-530.
  - ④ BRASS PER ASTM-B-453.
  - ⑤ BRASS PER ASTM-B-16.
  - ⑥ NICKEL PLATE PER QQ-N-290, 3.81 μm [.000150] MINIMUM THICK.
  - ⑦ TIN PLATE PER ASTM-B-545, 3.81 μm [.000150] MINIMUM THICK.
  - ⑧ GOLD PLATE PER MIL-G-45204, 0.76 μm [.000030] MINIMUM THICK.
  - ⑨ SILVER PLATE PER QQ-S-365, 2.54 μm [.000100] MINIMUM THICK.
  - ⑩ GOLD PLATE PER MIL-G-45204, 1.27 μm [.000050] MINIMUM THICK.
11. SEE INSTRUCTION SHEET 2769.



RECOMMENDED PANEL CUTOUT



PCB CONFIGURATION

OBSOLETE	4.11 [.162]	2.16 [.085]	①	222092-5
OBSOLETE	2.92 [.115]	2.16 [.085]	②	222092-4
	4.11 [.162]	3.48 [.137]	③	222092-3
OBSOLETE	4.11 [.162]	2.16 [.085]	④	222092-2
	4.11 [.162]	2.16 [.085]	⑤	222092-1

THIS DRAWING IS A CONTROLLED DOCUMENT.		DWG: J. LIPPERT 3-4-92		Tyco Electronics Corporation Harrisburg, PA 17105-3608																	
DIMENSIONS: INCHES		CHK: A. GABANY 3-13-92		APPROV: A. GABANY 3-13-92	NAME: JACK, RIGHT ANGLE, PCB 75 OHM, SERIES BNC																
TOLERANCES UNLESS OTHERWISE SPECIFIED:		<table border="1"> <tr><td>0 PL</td><td>±</td><td>-</td></tr> <tr><td>1 PL</td><td>±</td><td>-</td></tr> <tr><td>2 PL</td><td>±</td><td>0.20 [.008]</td></tr> <tr><td>3 PL</td><td>±</td><td>-</td></tr> <tr><td>4 PL</td><td>±</td><td>-</td></tr> </table>		0 PL	±	-	1 PL	±	-	2 PL	±	0.20 [.008]	3 PL	±	-	4 PL	±	-	APPLICATION SPEC	SIZE: A1	DWG NO: 00779
0 PL	±	-																			
1 PL	±	-																			
2 PL	±	0.20 [.008]																			
3 PL	±	-																			
4 PL	±	-																			
MATERIAL: SEE NOTES 1-5		FINISH: SEE NOTES 6-10		WEIGHT: -	SCALE: 1:1																
		CUSTOMER DRAWING		SHEET: 1 OF 1	REV: K																