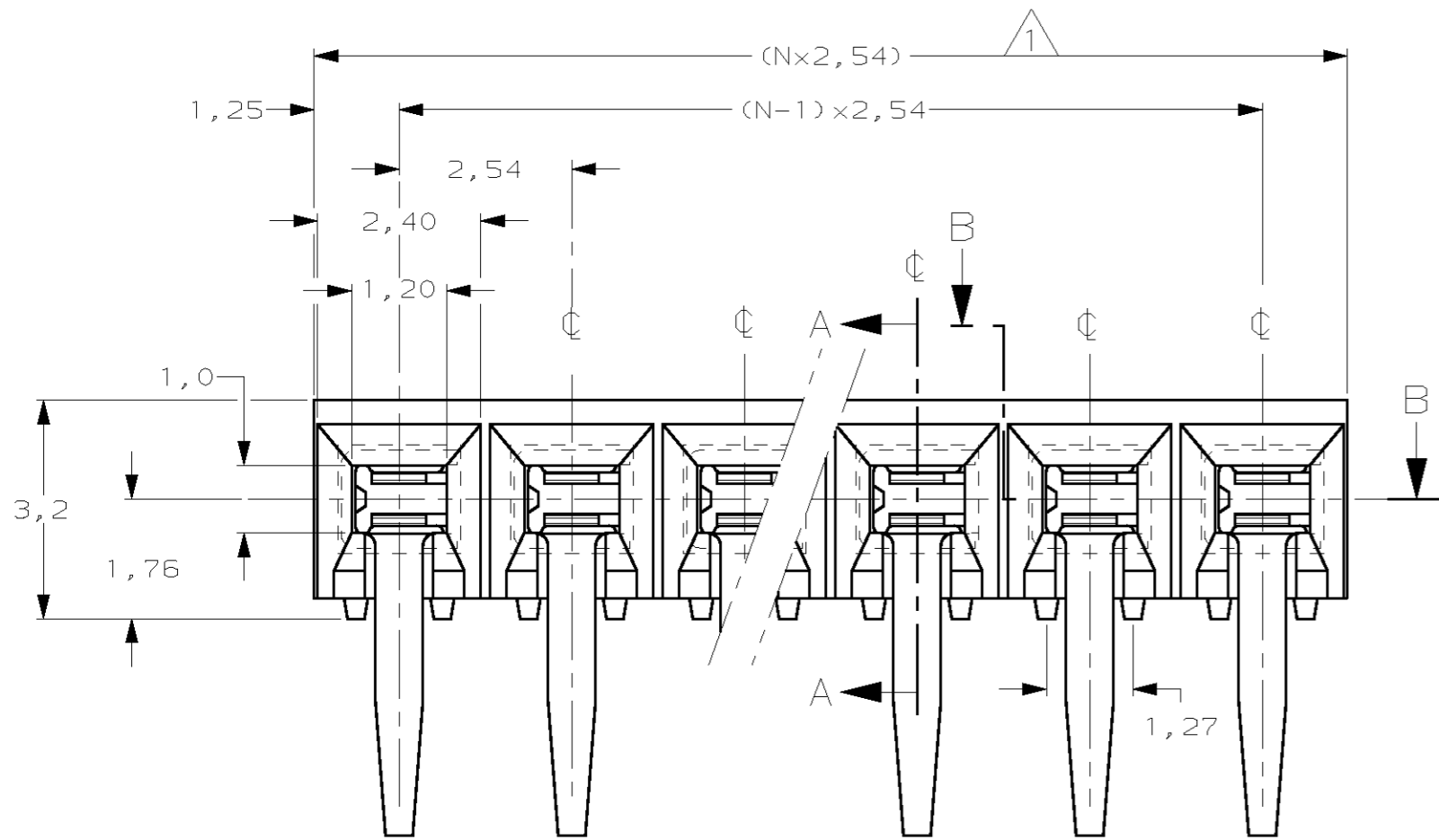
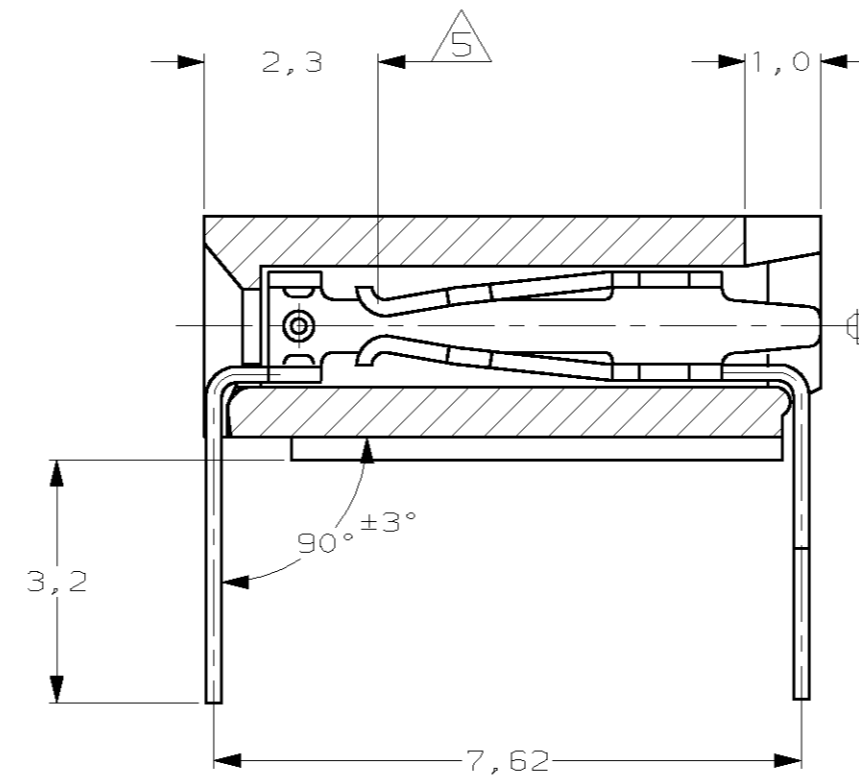


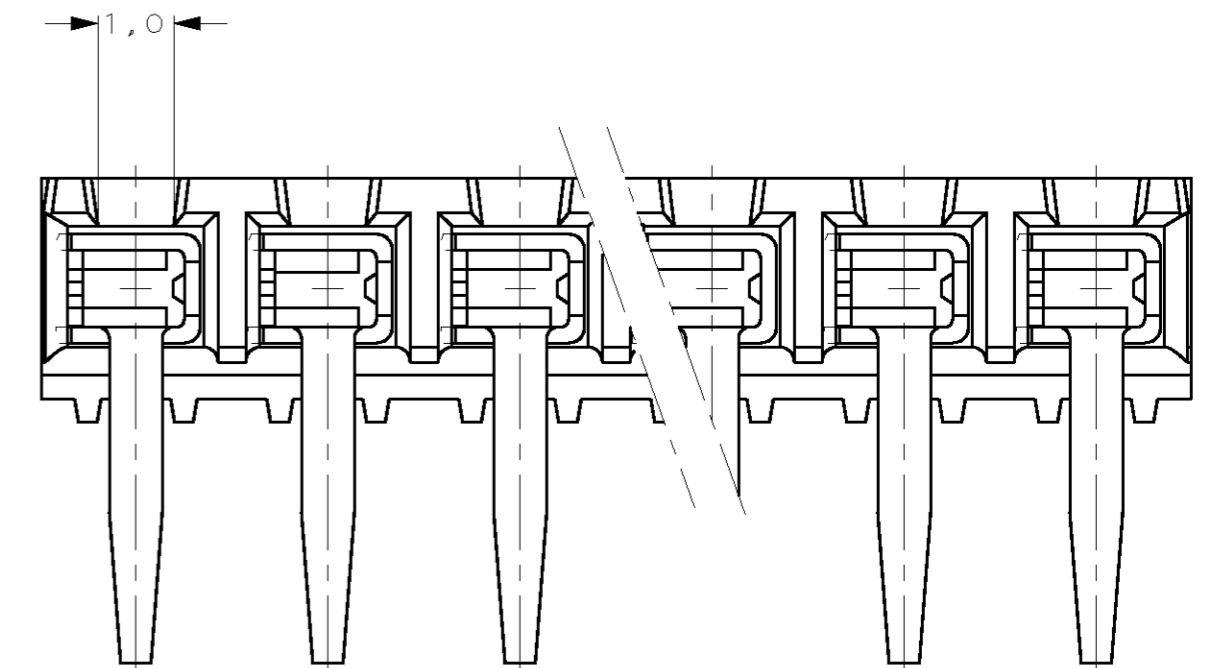
SECTION B-B/TOPVIEW



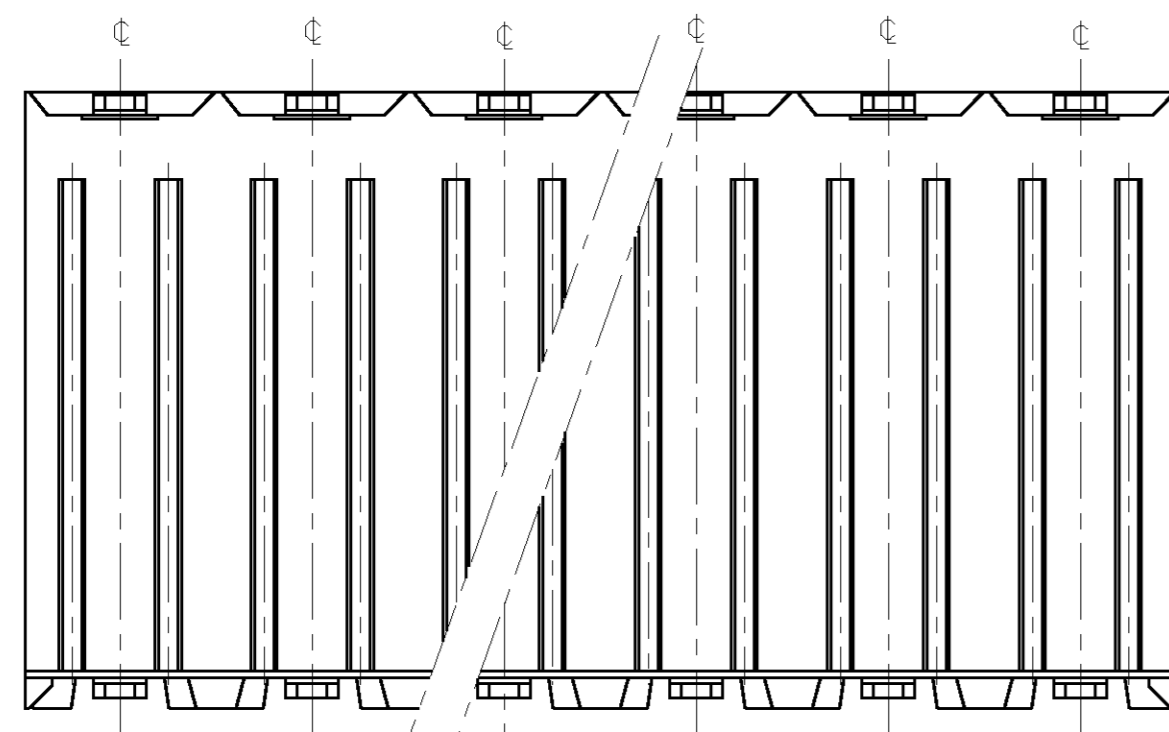
FRONT VIEW



SECTION A-A



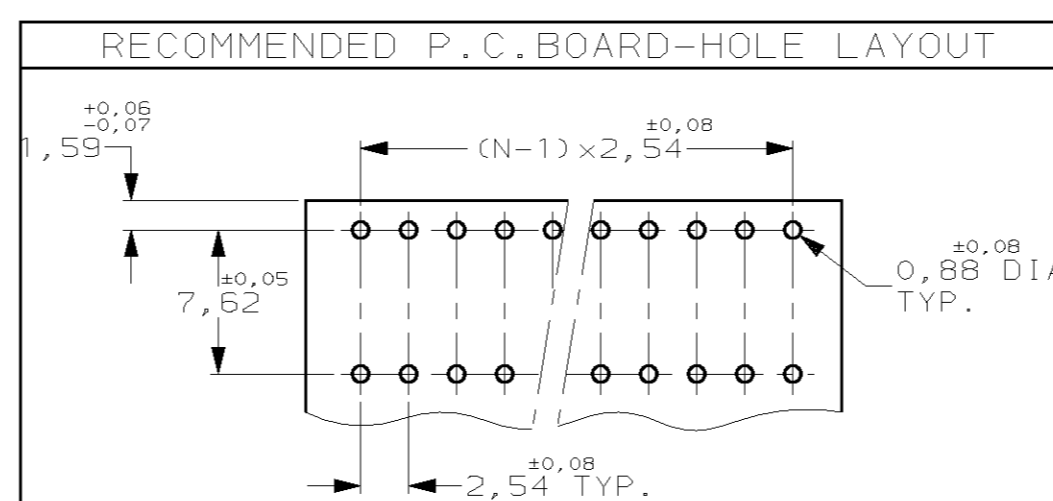
REAR VIEW



BOTTOM VIEW

NOTES:

- 1 TO DETERMINE DIMENSIONS TAKE N=NR. OF POS.
FOR EXAMPLE, 10 POS., $N \times 2,54 = 25,4$ mm.
FOR ORDERNR. USE BASIC NR.+NR. OF POS.
FOR EXAMPLE, 2 POS.= 216602-2 (SHORTEST VERSION)
65 POS.= 6-216602-5 (LONGEST VERSION)
- 2 HOUSING MATERIAL, GREEN GLASSFILLED POLYESTER, UL 94V-0
CONTACT MATERIAL, PHOSPHORBRONZE.
- 3 PLATING, UNDERCOATING, 1,3µm Ni
AT CONT.PLACE, 0,8µm Au
AT SOLDER-TINES, 3,0-5,0µm TIN
- 4 MATES WITH 0,63 SQUARE/ROUND MODU POSTS.
- 5 CONTACT-POINT.
- 6 RECOMMENDED P.C.BOARD-THICKNESS, 1,6mm.
- 7 PRINTED: BASIC PARTNUMBER, THE WORD "AMP", PRODUCTION DATE AND A DASHED LINE OVER THE LENGTH OF HOUSING TO INDICATE CONTACT MATING SIDE.



RECOMMENDED P.C. BOARD-HOLE LAYOUT				FINISH		MATERIAL		PARTNUMBER				
-	-	-	-	-	-	-	-	CUSTOMER DRAWING FOR REFERENCE ONLY WILL NOT BE UPDATED				
-	-	-	-	-	-	-	-	© COPYRIGHT 1991 BY AMP HOLLAND B.V. ALL INTERNATIONAL RIGHTS RESERVED. AMP PRODUCTS MAY BE COVERED BY U.S. AND FOREIGN AND/OR PATENTS PENDING.				
H1	EG00-1730-03	TISZA K155	ZITZ	13MAY03	THIS DRAWING IS UNPUBLISHED							
H	EH-0467-97	JvL	RB	06-05-97	RELEASED FOR PUBLICATION DEC, 1991							
G	EH-1294-96	RdB	RdB	07-NOV-96	AMP AMP HOLLAND B.V. 's-Hertogenbosch, The Netherlands.							
F	H-8275	LvdH	WRA	17 APR '92	NAME HV 190 HOR. ASS'Y SINGLE ROW GOLD VERSION (MAX. 65 POSITIONS)							
E	ECN H9408	WRA	WRA	19-12-91								
LTR.	REVISION RECORD	DR.	CHK.	DATE								
DR.:	W.R. ANNOKKEE	CHK.:	R.T. DE BLIECK	APP.:	R. SMETS	DWG. No.	C-216602	REV. LTR.	H1	SHEET	1 OF 1	A2
DATE:	19/12/91	DATE:	19/12/91	DATE:	19/12/91							