

© 1970 BY AMP INCORPORATED. ALL RIGHTS RESERVED. AMP PRODUCTS COVERED BY PATENTS AND/OR PATENTS PENDING.

204938-2

- 1. SAME AS -1 EXCEPT:
- 2. PLATED GOLD PER MIL-G-45204 OVER NICKEL PER QQ-N-290

204938-3
204938-4

- 1. AS SHOWN
- 1. SAME AS -3 EXCEPT
- 2. MOUNTED ON MYLAR TAPE

~~204938-5~~

- 1. SAME AS -3 EXCEPT:
- 2. GRAPHITE COATED.
- 3. NO COLOR BANDS.

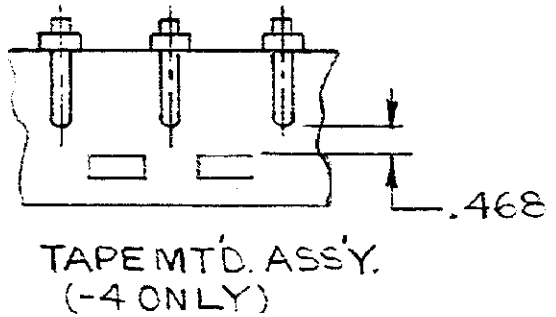
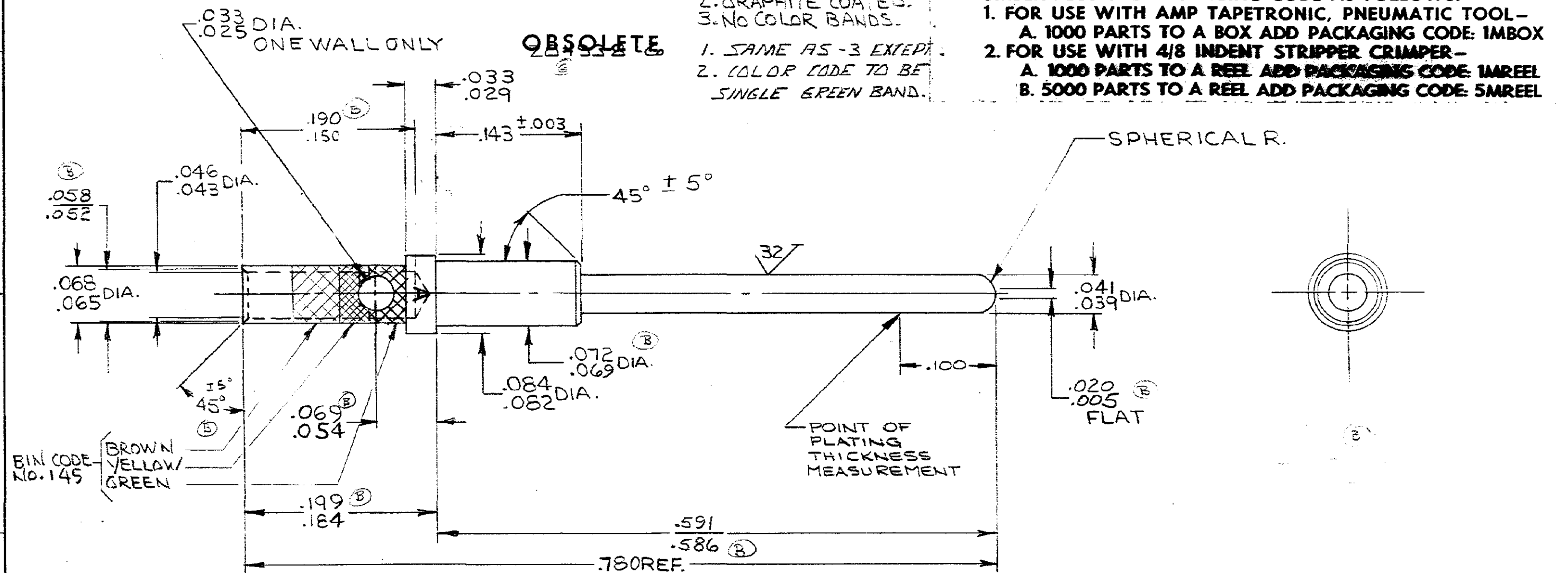
~~204938-6~~

- 1. SAME AS -3 EXCEPT:
- 2. COLOR CODE TO BE SINGLE GREEN BAND.

REVISIONS				
ZONE	LTR	DESCRIPTION	DATE	APPROVED
	E	REV PER EON F-343	5/17/78	JA/AM
	F	REV./EON G341	8-15-79	SA
	G	ADDED - 3 ECH G-737	2-2-80	AMTII
	H	REVISED PER EON J-782	9/20/82	TLN OJD
	J	OBSOLETE - 5 & -6 PER EON R-2556	12-23-86	MPH EOH

WHEN ORDERING CONTACT ON TAPE, ORDER BY THE TAPE NUMBER PLUS THE PACKAGING CODE AS FOLLOWS:

- 1. FOR USE WITH AMP TAPETRONIC, PNEUMATIC TOOL - A. 1000 PARTS TO A BOX ADD PACKAGING CODE: 1MBOX
- 2. FOR USE WITH 4/8 INDENT STRIPPER CRIMPER - A. 1000 PARTS TO A REEL ADD PACKAGING CODE: 1MREEL B. 5000 PARTS TO A REEL ADD PACKAGING CODE: 5MREEL



UNLESS OTHERWISE SPECIFIED DIMENSIONS ARE IN INCHES TOLERANCES ON: DECIMALS ± .005 ANGLES ± 2°	CONTRACT NO.	AMP INCORPORATED HARRISBURG, PENNSYLVANIA	
	DR. <i>L. Morington</i> 7-20-70	NAME	
	CHK. <i>Paul Schmitt</i> 9-24-70	SUB 20 CONTACT PIN TYPE XVII - RM	
	APPD. <i>David F. Ruddle</i> 9/25/70	SIZE	CODE IDENT NO.
DSGN APPD. <i>De. Riskey</i> 9-24-70	B	00779	204938
OTHER APPD.	SCALE	10-1	SHEET 1 OF 1