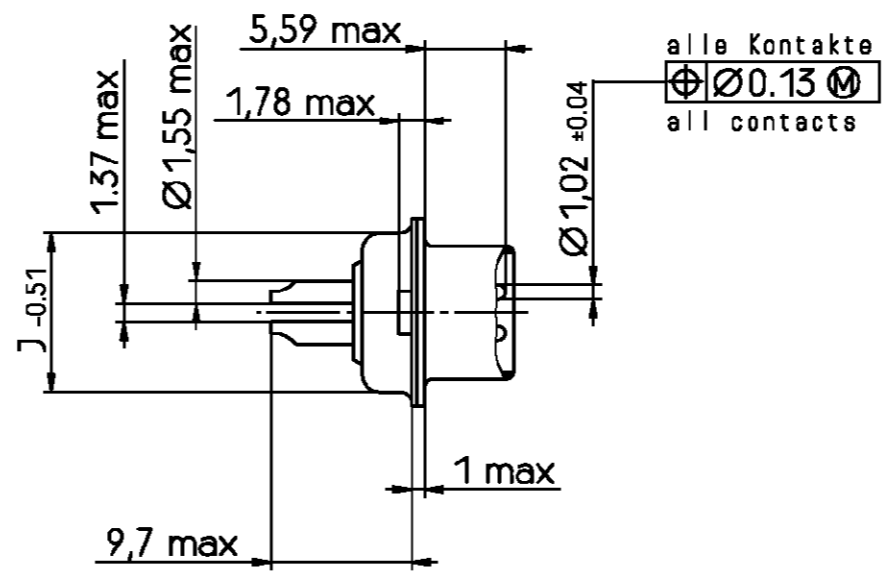
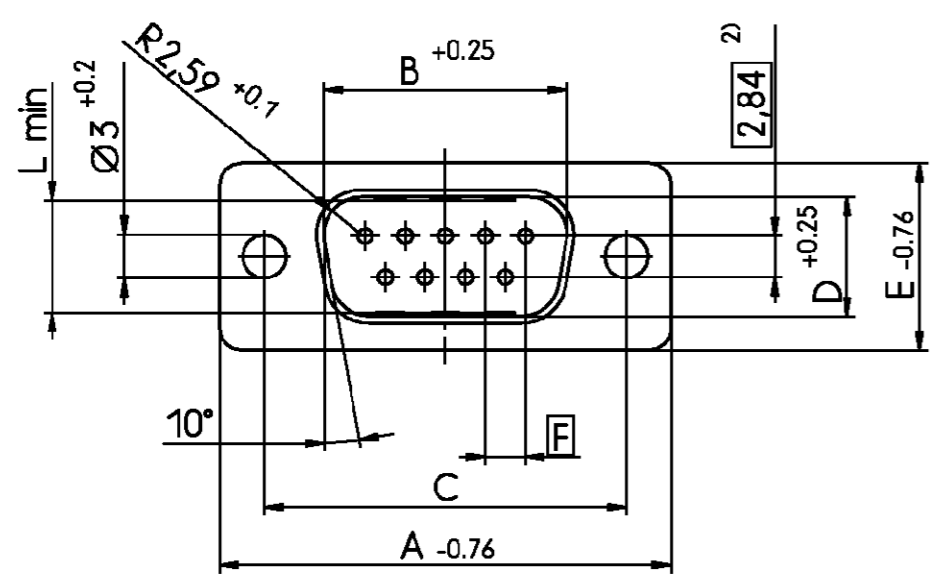
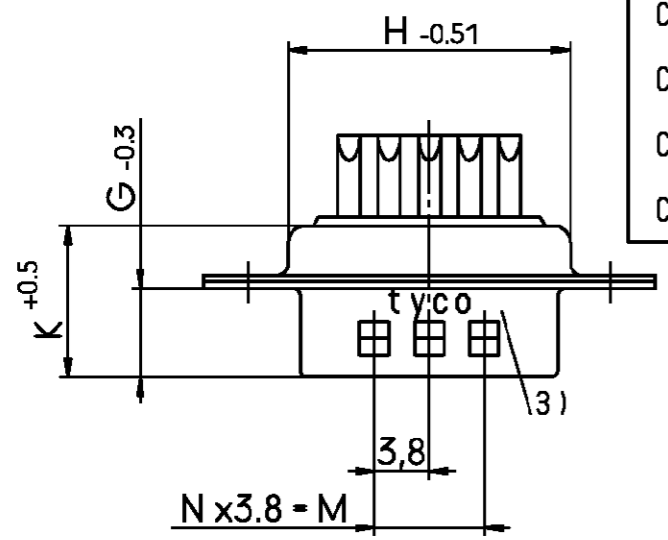


THIS INFORMATION IS CONFIDENTIAL AND PROPRIETARY TO TYCO ELECTRONICS CORPORATION AND ITS WORLDWIDE  
 SUBSIDIARIES AND AFFILIATES. IT MAY NOT BE DISCLOSED TO ANYONE, OTHER THAN TYCO ELECTRONICS PERSONNEL,  
 WITHOUT WRITTEN AUTHORIZATION FROM TYCO ELECTRONICS CORPORATION, HARRISBURG, PENNSYLVANIA USA.

Standardausführung: V42254-A1115-C\*\*\*  
 standard version: V42254-A1117-C\*\*\*



Sachnr. order code V42254-A111*-	no. of contacts Polzahl	dimension Maß	A	B	C	D	E	F	G	H	J	K	L	M	N
C*09	09		31.19	16.79	25.0 $\begin{smallmatrix} +0.12 \\ -0.13 \end{smallmatrix}$	8.23	12.93	2.74	6.12	19.53	10.97	10.46	7.72	7.6	2
C*15	15		39.52	25.12	33.3 $\begin{smallmatrix} +0.15 \\ -0.1 \end{smallmatrix}$	8.23	12.93	2.74	6.12	27.76	10.97	10.46	7.69	15.2	4
C*25	25		53.42	38.84	47.04 $\begin{smallmatrix} +0.13 \\ -0.13 \end{smallmatrix}$	8.23	12.93	2.76	5.99	41.53	10.97	10.57	7.65	26.6	7
C*37	37		69.7	55.3	63.5 $\begin{smallmatrix} +0.13 \\ -0.13 \end{smallmatrix}$	8.23	12.93	2.76	5.99	57.96	10.97	10.57	7.65	41.8	11
C*50	50 <sup>2)</sup>		67.31	52.68	61.1 $\begin{smallmatrix} +0.14 \\ -0.11 \end{smallmatrix}$	10.95	15.75	2.76	5.99	55.58	13.82	10.57	10.45	41.8	11



dargestellt wird die 9-polige Ausführung  
drawn is the 9-contacts version

- 1) nach DIN 41652 T.2 und T.4
- 2) Bemerkung: 50-polig: dreireihig
- 3) Beschriftung nicht bei V42254-A1117-C\*\*\*  
und V42254-A1118-C\*\*\*

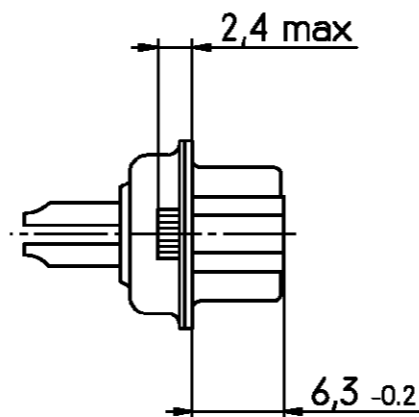
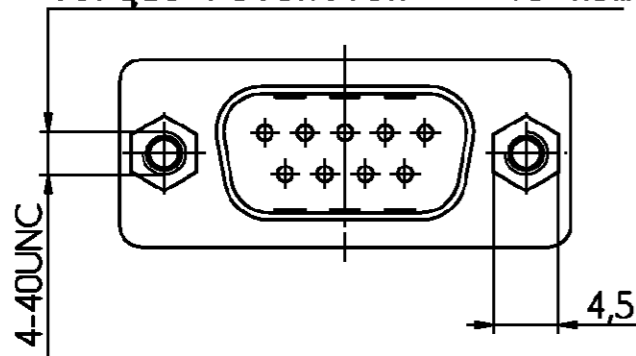
- 1) according to DIN 41652 p.2 and p.4
- 2) remark: 50-contacts version: 3 contact rows
- 3) no marking for V42254-A1117-C\*\*\*  
and V42254-A1118-C\*\*\*

<b>tyco</b> TYCO ELECTRONICS CORPORATION		SCALE 2:1 (10:1)		WEIGHT	
<b>Electronics</b> OOSTKAMP - BELGIUM		DIMENSIONS IN MM		MATERIAL	
DATE 28.02.90		PART NAME		D-Sub soldering lugs	
NAME Embo		PART NO.		male connector with grounding fingers	
DEP. PD Com		PART NO.		Sub-D Lötösen	
TOLERANCE UNLESS SPECIFIED OTHERWISE		PART NO.		Stiftleiste mit Schirmfederung	
A	WO01/7016	22 NOV 00	KV	V42254-A1***-C***-*-7427 <sup>1+</sup>	
02	WO99/4529	06.07.99	RSt	SHT.	
01		04.04.91	RSt	OF 4	
REV.	CHANGE ORDER	DATE	APP.	Customer drawing number: C 2-1393483-3	

PROPRIETARY  
 THIS INFORMATION IS CONFIDENTIAL AND PROPRIETARY TO TYCO ELECTRONICS CORPORATION AND ITS WORLDWID  
 SUBSIDIARIES AND AFFILIATES. IT MAY NOT BE DISCLOSED TO ANYONE, OTHER THAN TYCO ELECTRONICS PERSONEL,  
 WITHOUT WRITTEN AUTHORIZATION FROM TYCO ELECTRONICS CORPORATION, HARRISBURG, PENNSYLVANIA USA.

mit Gewindebolzen: V42254-A1116-C\*\*\*  
 with stud bolt screwlock: V42254-A1118-C\*\*\*

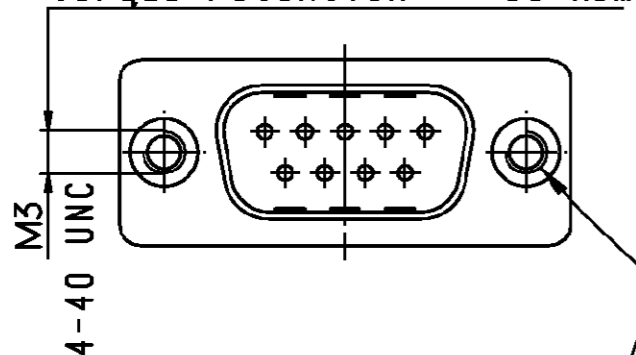
Verdrehsicherheit  $\geq 70$  Ncm  
 torque retention  $\geq 70$  Ncm



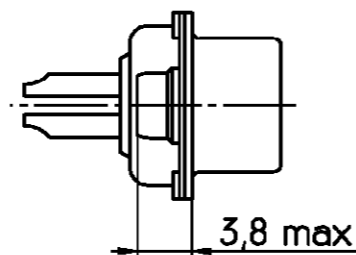
mit Gewindeeinsätze:  
 with thread:

M3: V42254-A1114-C\*\*\*      4-40UNC: V42254-A1112-C\*\*\*

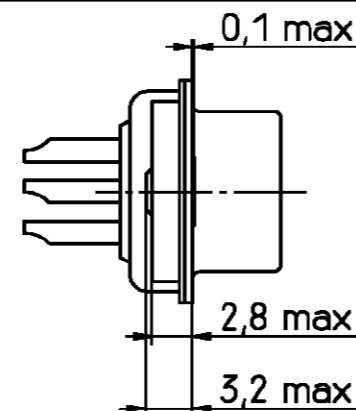
Verdrehsicherheit  $\geq 80$  Ncm  
 torque retention  $\geq 80$  Ncm



mit Stop-Mutter (für 9-, 15-, 25- u. 37-pol Ausführung):  
 with self-locking nut (for 9-, 15-, 25- an 37-contacts version):



mit Gewindeeinsatz (nur für 50-pol. Ausführung):  
 with thread insert (only for 50-contacts version):



Gewinde thread	Farbe des Klemnteils colour of locking ring
M3	Schwarz // black
UNC4-40	Blau // blue

dargestellt wird die 9-polige Ausführung  
 drawn is the 9-contacts version

<b>tyco</b>		TYCO ELECTRONICS CORPORATION		SCALE 2:1 (10:1)		WEIGHT	
<b>Electronics</b>		OOSTKAMP - BELGIUM		DIMENSIONS IN MM		MATERIAL	
DATE 28.02.90		NAME Embo		PART NAME		D-Sub soldering lugs	
DEP. PD Com		TOLERANCE UNLESS SPECIFIED OTHERWISE		male connector with grounding fingers		Sub-D Lötösen	
PART NO.		Customer drawing number: C 2-1393483-3		Stiftleiste mit Schirmfiederung		SHT. 2+	
V42254-A1***-C***-*-7427		REV. CHANGE ORDER		DATE		APP.	
02 WO01/7016 22 NOV 00 KV		01 WO99/4529 06.07.99 RSt		04.04.91 RSt		OF 4	

PROPRIETARY: THIS INFORMATION IS CONFIDENTIAL AND PROPRIETARY TO TYCO ELECTRONICS CORPORATION AND ITS WORLDWIDE SUBSIDIARIES AND AFFILIATES. IT MAY NOT BE DISCLOSED TO ANYONE, OTHER THAN TYCO ELECTRONICS PERSONNEL, WITHOUT WRITTEN AUTHORIZATION FROM TYCO ELECTRONICS CORPORATION, HARRISBURG PENNSYLVANIA USA

V 4 2 2 5 4 - A 1 \* \* \* - C \* \* \*

Anschlußausführung // connection type  
 1 Lötöse // soldering lugs




Anschlußoberfläche / Raster // connection surface / center spacing  
 1 verzinkt / 2.76 x 2.84 // tinned / 2.76 x 2.84

Steckverbinderunterscheidung // connector type				
	verzinkt tinned	mit tyco Beschriftung auf Blechteil with tyco marking on the shell	mit Gewinde- einsatz with thread	mit Gewinde- bolzen with stud bolt screwlock
2	ja // yes	ja // yes	ja // yes 4-40UNC	nein // no
4	ja // yes	ja // yes	ja // yes M3	nein // no
5	ja // yes	ja // yes	nein // no	nein // no
6	<b>OBSOLETE</b> ja // yes	ja // yes	nein // no	ja // yes 4-40UNC
7	<b>OBSOLETE</b> ja // yes	nein // no	nein // no	nein // no
8	<b>OBSOLETE</b> ja // yes	nein // no	nein // no	ja // yes 4-40UNC

Polzahl - Gehäusegröße // no. of contacts / size	
09	9-polig - Gehäusegröße 1 // 9-contacts / size 1
15	15-polig - Gehäusegröße 2 // 15-contacts / size 2
25	25-polig - Gehäusegröße 3 // 25-contacts / size 3
37	37-polig - Gehäusegröße 4 // 37-contacts / size 4
50	50-polig - Gehäusegröße 5 // 50-contacts / size 5

Kontaktfläche / Kontaktart // contact surface / contact type	
1	Anforderungsstufe 1 / gerollte Kontakte // performance level I / rolled contacts
2	Anforderungsstufe 2 / gerollte Kontakte // performance level II / rolled contacts

Steckerart // connector type  
 C Stiftleiste mit Schirmfiederung // male connector with grounding fingers

APPLICABLE SPEC.:				FINISH																									
 TYCO ELECTRONICS CORPORATION  OOSTKAMP - BELGIUM				DIMENSIONS APPLY		PLATING																							
				SCALE	WEIGHT																								
 DIMENSIONS IN MM				MATERIAL																									
<table border="1"> <tr> <td>DATE</td> <td>28.02.90</td> </tr> <tr> <td>NAME</td> <td>Embo</td> </tr> <tr> <td>DEP.</td> <td>PD Com</td> </tr> <tr> <td colspan="2">EC</td> </tr> </table>				DATE	28.02.90	NAME	Embo	DEP.	PD Com	EC		PART NAME																	
DATE	28.02.90																												
NAME	Embo																												
DEP.	PD Com																												
EC																													
				D-Sub soldering lugs male connector with grounding fingers Sub-D Lötösen Stiftleiste mit Schirmfiederung																									
<table border="1"> <tr> <td>REV.</td> <td>CHANGE ORDER</td> <td>DATE</td> <td>APP.</td> <td colspan="2">Customer drawing number: C 2-1393483-3</td> </tr> <tr> <td>A</td> <td>WO01/7016</td> <td>22 NOV 00</td> <td>KV</td> <td colspan="2">TOLERANCE UNLESS SPECIFIED OTHERWISE</td> </tr> <tr> <td>02</td> <td>WO99/4529</td> <td>06.07.99</td> <td>RSt</td> <td colspan="2"></td> </tr> <tr> <td>01</td> <td></td> <td>04.04.91</td> <td>RSt</td> <td colspan="2"></td> </tr> </table>				REV.	CHANGE ORDER	DATE	APP.	Customer drawing number: C 2-1393483-3		A	WO01/7016	22 NOV 00	KV	TOLERANCE UNLESS SPECIFIED OTHERWISE		02	WO99/4529	06.07.99	RSt			01		04.04.91	RSt			PART NO.	
REV.	CHANGE ORDER	DATE	APP.	Customer drawing number: C 2-1393483-3																									
A	WO01/7016	22 NOV 00	KV	TOLERANCE UNLESS SPECIFIED OTHERWISE																									
02	WO99/4529	06.07.99	RSt																										
01		04.04.91	RSt																										
				V42254-A1***-C***-*-7427																									
				SHT. 3+																									
				OF 4																									

Active part numbers. Contact Tyco Electronics for other configuration availability

Old Part Number	Tyco Part Number	
V42254-A1112-C209	2-1393483-3	
V42254-A1112-C215	1-1392010-6	
V42254-A1112-C225	2-1393483-4	
V42254-A1112-C237	4-1419139-1	
V42254-A1112-C250	1393740-4	OBSOLETE
V42254-A1114-C209	2-1393483-9	
V42254-A1114-C215	3-1393483-0	
V42254-A1114-C225	3-1393483-1	
V42254-A1115-C109	4-1393483-3	
V42254-A1115-C115	4-1393483-4	
V42254-A1115-C125	4-1393483-5	
V42254-A1115-C137	4-1393483-6	OBSOLETE
V42254-A1115-C150	1393740-9	OBSOLETE
V42254-A1115-C209	4-1393483-7	
V42254-A1115-C215	4-1393483-8	
V42254-A1115-C225	4-1393483-9	
V42254-A1115-C237	5-1393483-0	
V42254-A1115-C250	1-1393740-0	

A

B

C

D

E

F

THIS INFORMATION IS CONFIDENTIAL AND PROPRIETARY TO TYCO ELECTRONICS CORPORATION AND ITS WORLDWIDE SUBSIDIARIES AND AFFILIATES. IT MAY NOT BE DISCLOSED TO ANYONE, OTHER THAN TYCO ELECTRONICS PERSONNEL, WITHOUT WRITTEN AUTHORIZATION FROM TYCO ELECTRONICS CORPORATION, HARRISBURG, PENNSYLVANIA USA.

PROPRIETARY:



TYCO ELECTRONICS CORPORATION

Oostkamp - Belgium



DIMENSIONS IN MM



SCALE

WEIGHT

MATERIAL

PART NAME D-Sub soldering lugs  
male connector with grounding fingers  
Sub-D Lötösen  
Stiftleiste mit Schirmfiederung

PART NO.

SHT. 4-

V42254-A1\*\*\*-C\*\*\*-\*7427

OF 4

DATE 28.02.90

NAME Embo

DEP. PD Com

TOLERANCE UNLESS SPECIFIED OTHERWISE

WO01/7016 22 NOV 00 KV

REV. CHANGE ORDER DATE APP. Customer drawing number: C 2-1393483-3