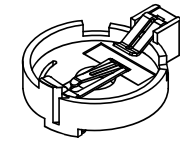
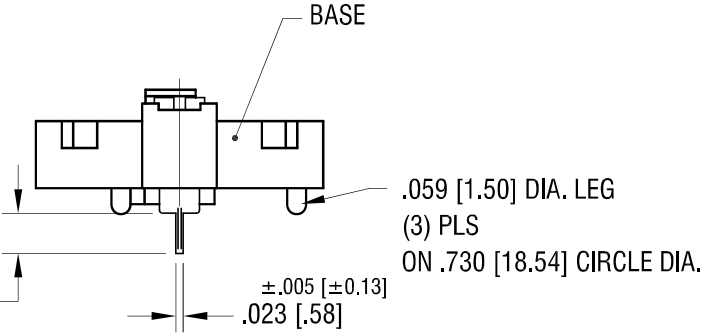
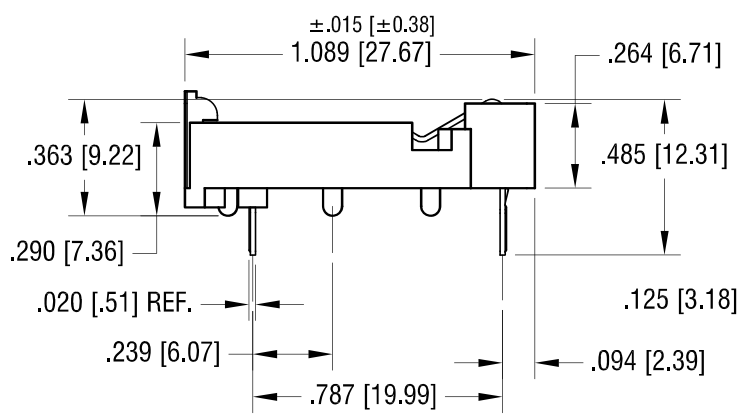
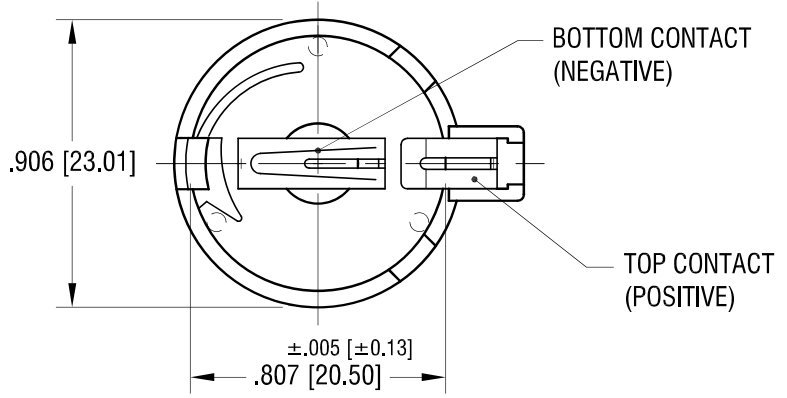
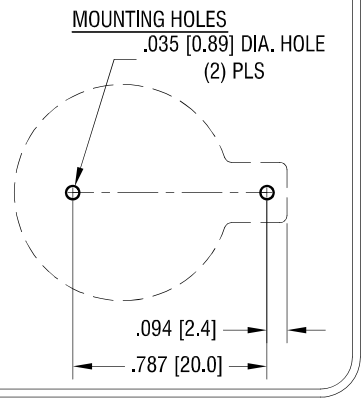


DATE	DESCRIPTION	REV.
11.09.04	CHANGE AS PER ECN 04-137	C
2.05.10	CHANGE AS PER ECN 10-010	D
6.14.10	CHANGE AS PER ECN 10-040	E



ACTUAL SIZE

THIS DOCUMENT IS THE PROPERTY OF KEYSTONE ELECTRONICS CORP. AND SHALL NOT BE REPRODUCED, DISTRIBUTED OR USED AS A BASIS FOR MANUFACTURE WITHOUT PRIOR WRITTEN PERMISSION FROM KEYSTONE ELECTRONICS CORP.

- NOTES:
- BASE:
MAT'L - GLASS FILLED NYLON (UL 94V-0)
COLOR BLACK
 - CONTACTS (TOP AND BOTTOM):
MAT'L - .016 [0.41] TH'K PHOSPHOR BRONZE
FINISH: TIN PLATE, OVER COPPER

KEYSTONE ELECTRONICS CORP.			
www.keyelco.com • NEW HYDE PARK, NY 11040 • Tel (516) 328-7500			
PART NAME COMPACT 20mm BATTERY HOLDER			
MATERIAL AS NOTED			
FINISH AS NOTED		DRN BY NT	DATE 5.13.98
		APP'D RH	SCALE 2X
TOLERANCES	INCH [MM]	CODE	DWG NO.
DECIMAL	± .010 [± 0.25]	C	1066
ANGULAR	± 1°		
UNLESS OTHERWISE SPECIFIED			