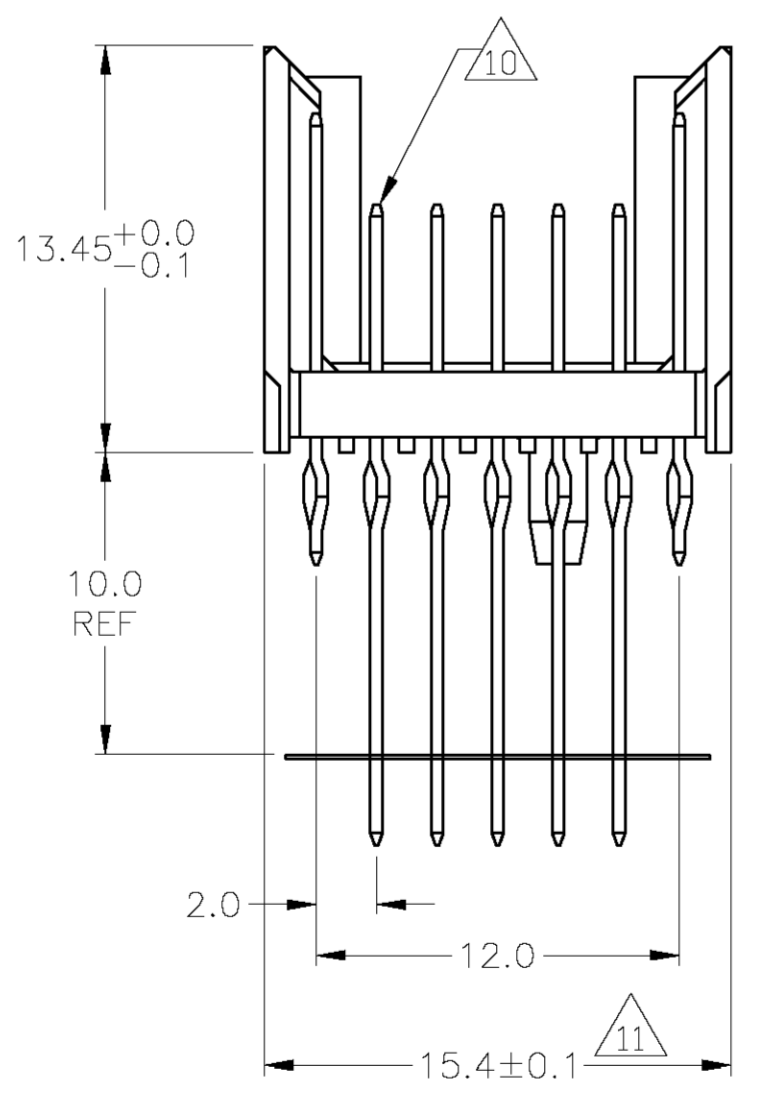
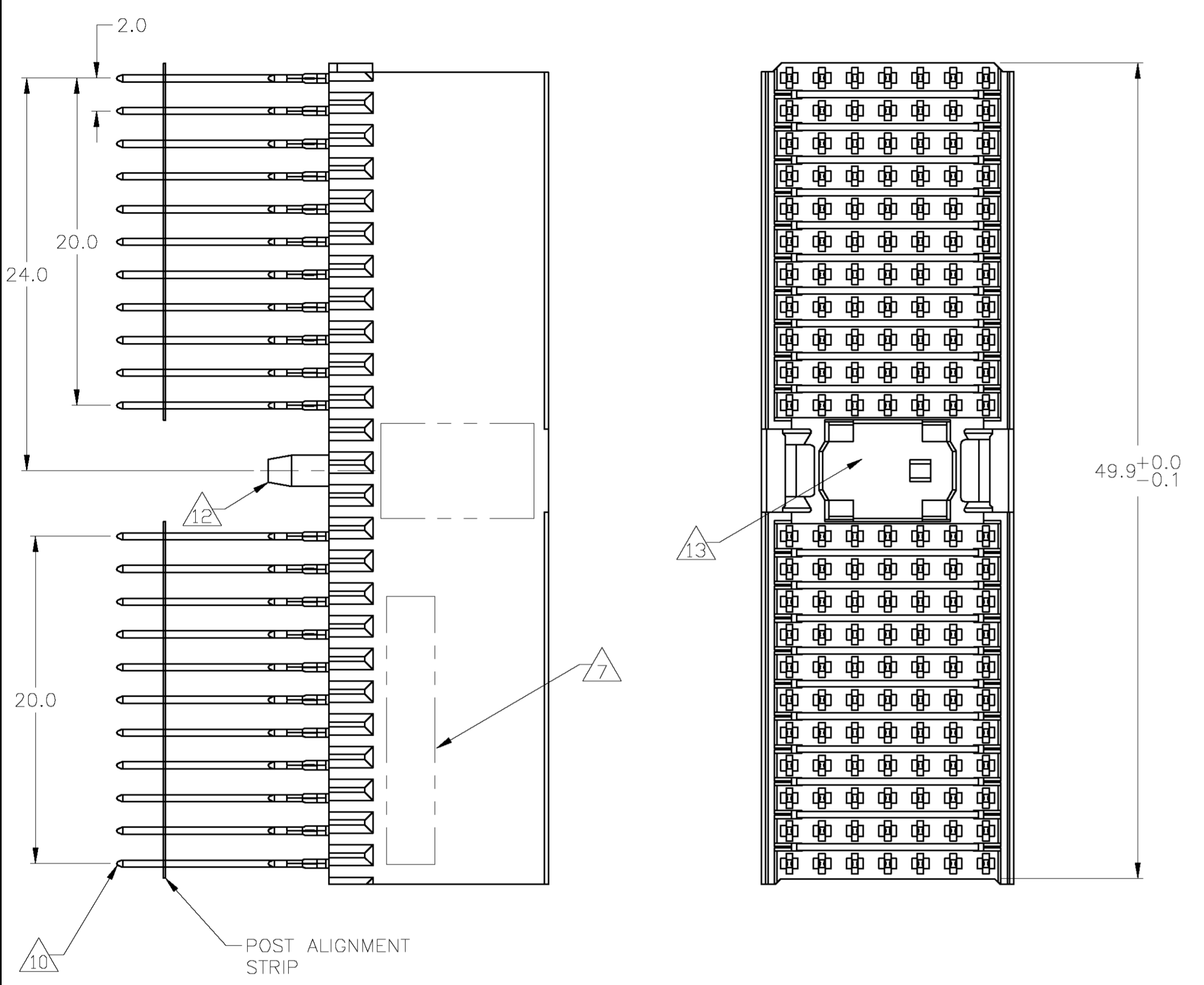
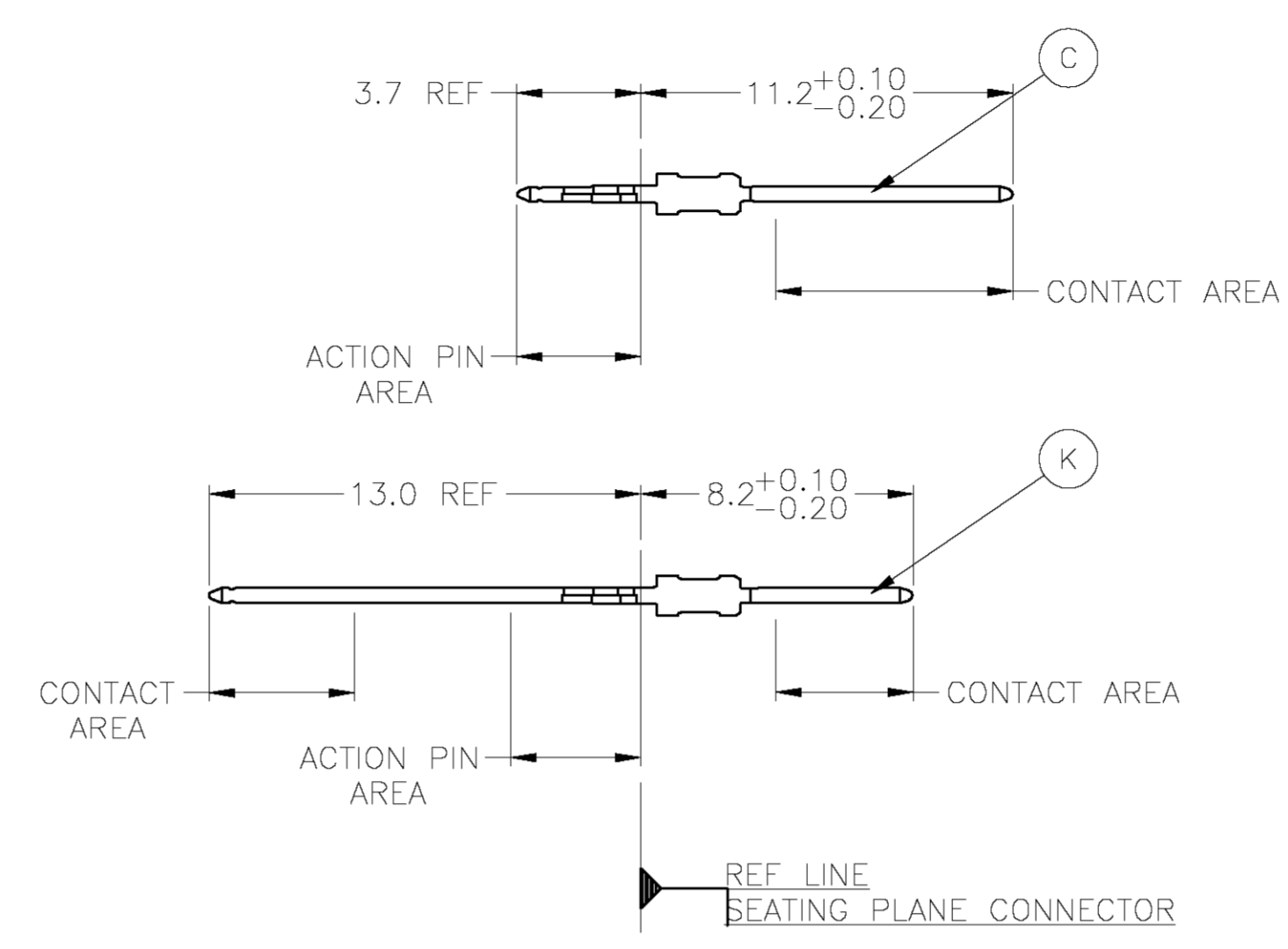


### CONNECTOR ASSEMBLY EXAMPLARY LOADED



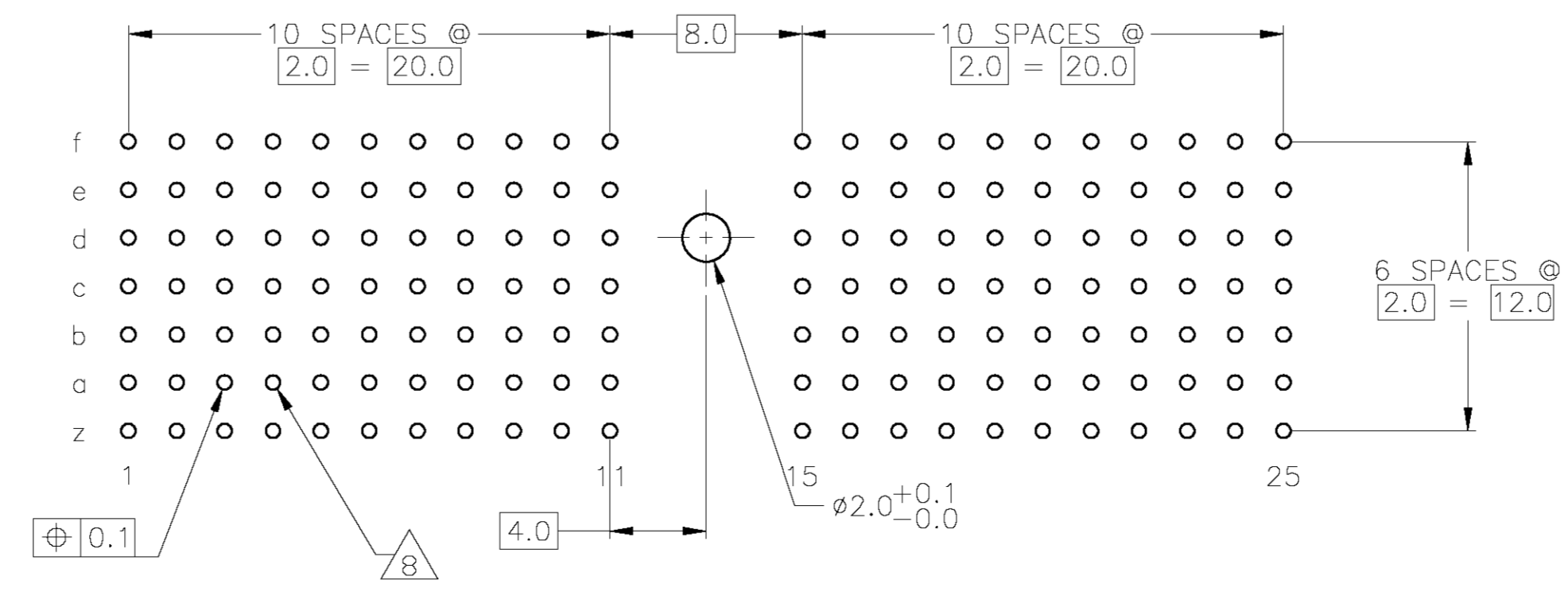
### CONTACT DIMENSIONS SCALE 5:1



### CONTACT LAYOUT

	z	a	b	c	d	e	f
1	C	K	K	K	K	K	C
2	C	K	K	K	K	K	C
3	C	K	K	K	K	K	C
4	C	K	K	K	K	K	C
5	C	K	K	K	K	K	C
6	C	K	K	K	K	K	C
7	C	K	K	K	K	K	C
8	C	K	K	K	K	K	C
9	C	K	K	K	K	K	C
10	C	K	K	K	K	K	C
11	C	K	K	K	K	K	C
MULTI PURPOSE CENTER							
15	C	K	K	K	K	K	C
16	C	K	K	K	K	K	C
17	C	K	K	K	K	K	C
18	C	K	K	K	K	K	C
19	C	K	K	K	K	K	C
20	C	K	K	K	K	K	C
21	C	K	K	K	K	K	C
22	C	K	K	K	K	K	C
23	C	K	K	K	K	K	C
24	C	K	K	K	K	K	C
25	C	K	K	K	K	K	C

### RECOMMENDED PCB-HOLE LAYOUT COMPONENT SIDE SHOWN



### PLATED THRU HOLES PARAMETERS REFERENCE APPLICATION SPECIFICATION

2 6 14	1-106534-9
2 5 14	106534-9
2 4 14	106534-4
2 3 14	106534-1
FINISH	PART NUMBER

THIS DRAWING IS A CONTROLLED DOCUMENT.

DIMENSIONS: mm	TOLERANCES UNLESS OTHERWISE SPECIFIED:	DIN 9 CARDO 21APROD	APVD G SKIPPFR 21APROD	NAME: MALE ASSEMBLY, Z-PACK 2mm HM, TYPE A
0 PL ± -	1 PL ± 0.1	2 PL ± -	3 PL ± -	4 PL ± -
ANGLES ± -				
MATERIAL 1	FINISH SEE TABLE	WEIGHT	A1 00779 C=106534	RESTRICTED TO
CUSTOMER DRAWING		SCALE 4:1	SHEET 1 OF 2	REV D

Tyco Electronics Corporation  
Harrisburg, Pa 17105-360B

LOC		DIST		REVISIONS				
JP	LTR	DESCRIPTION	DATE	DNW	APVD			
AD	00	SEE SHEET 1	-	-	-			

- 1 MATERIAL:  
CONTACT: PHOSPHOR BRONZE.  
HOUSING: GLASS-FILLED POLYESTER.
- 2 GENERAL PLATING SPECIFICATION: UNDERPLATING  
(ENTIRE CONTACT): 1.27µm MIN NICKEL AND ACTION  
PIN: 0.5µm MIN TIN/LEAD.  
FOR PLATING OF MATING SURFACES SEE APPLICABLE  
SPECIFICATION REFERENCE FOR EACH DASH NUMBER.
- 3 CONFORMS TO ALL TESTING ACCORDING TO IEC 61076-4-101  
PERFORMANCE LEVEL 2.
- 4 CONFORMS TO ALL TESTING ACCORDING TO IEC 61076-4-101  
PERFORMANCE LEVEL 1.
- 5 CONNECTOR TESTED AND QUALIFIED AGAINST TELCORDIA GR-1217-CORE QUALITY LEVEL 3,  
CENTRAL OFFICE APPLICATIONS.
- 6 CONNECTOR TESTED AND QUALIFIED AGAINST TELCORDIA GR-1217-CORE QUALITY LEVEL 3,  
UNCONTROLLED ENVIROMENT APPLICATIONS.
- 7 CONNECTOR MARKED WITH PART NUMBER AND DATE CODE.  
ADDITIONAL CHARACTERS OR MARKINGS, AS WELL AS THE LOCATION OF THE MARKINGS,  
MAY BE ADDED FOR TRACEABILITY BASED UPON MANUFACTURERS DISCRETION.
- 8 PLATED-THROUGH HOLES AT 2x2mm SQUARE GRID  
PATTERN DEFINED BY CONTACT LAYOUT.
- 9 FOR ACTUAL PIN LOADING SEE "CONTACT LAYOUT".
- 10 FOR ACTUAL PIN DIMENSIONS SEE "CONTACT DIMENSIONS".
- 11 TO BE MEASURED AT BOTTOM OF SHROUD.
- 12 POLARIZATION FEATURE.
- 13 AREA RESERVED FOR KEYING PART (BASIC P/N 100525).
- 14 CONNECTOR LUBRICATED WITH BELCORE APPROVED LUBRICANT,  
TECHNICAL REFERENCE: TR-NWT-001217 ISSUE 1, SEP 1992.

THIS DRAWING IS A CONTROLLED DOCUMENT.		DIN	21APRO5	<b>tyco</b> Electronics	Tyco Electronics Corporation Harrisburg, Pa 17105-360B	
		DRG	21APRO5			
		CHK	21APRO5			
		APVD	21APRO5			
		PRODUCT SPEC		NAME		
		108-19082		MALE ASSEMBLY, Z-PACK 2mm HM, TYPE A		
		APPLICATION SPEC		SIZE		
		114-19029		CAGE CODE		
				DRAWING NO		
				RESTRICTED TO		
MATERIAL		FINISH	WEIGHT	A1 00779		106534
SEE SHEET 1		SEE SHEET 1		CUSTOMER DRAWING		
				SCALE	SHEET	REV
				4:1	2 OF 2	D