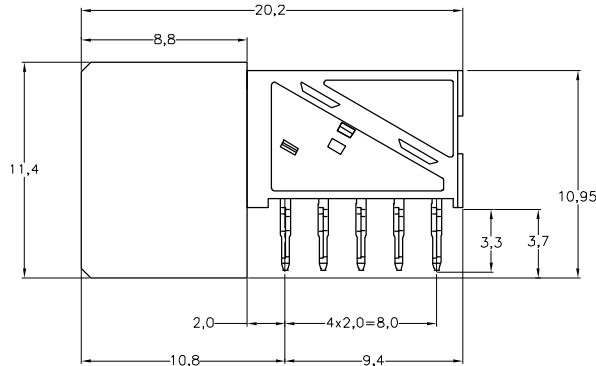
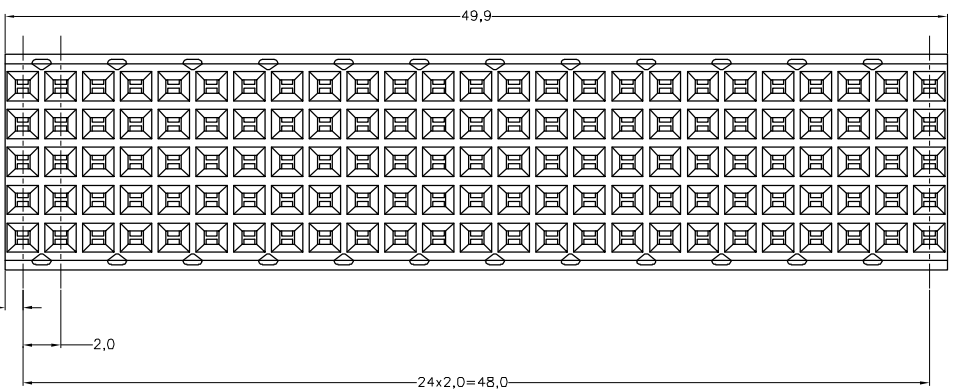
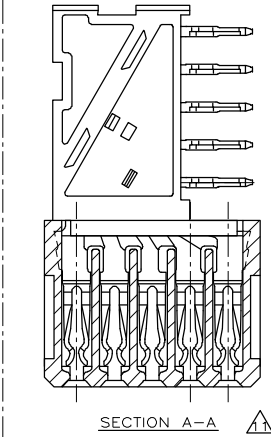
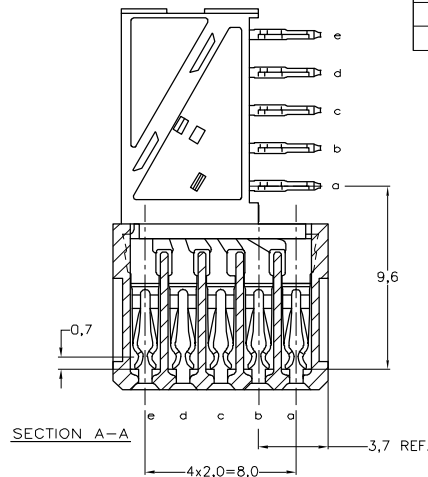
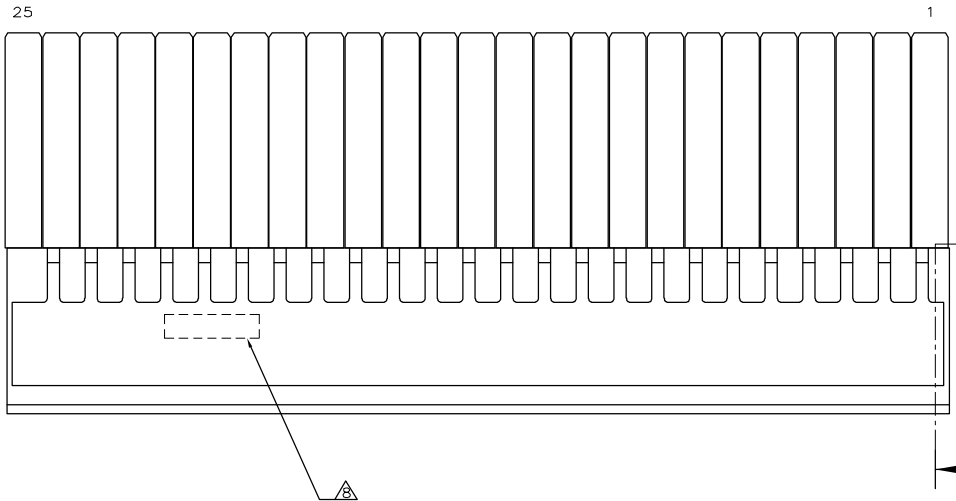
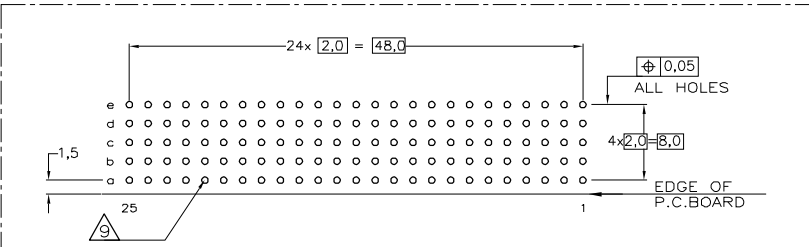


THIS DRAWING IS UNPUBLISHED. RELEASED FOR PUBLICATION  
 BY TYCO ELECTRONICS CORPORATION. ALL RIGHTS RESERVED.

REVISIONS				
REV	LET	DESCRIPTION	DATE	APP'D
L		EHC0-0195-04	11-05-04	DvdB BM
M		EH10-0680-05	30-05-05	BSV BM
M1		ECR-06-002635	07-02-06	BSV BM



- NOTES:**
- ▲ MATERIAL CONTACT; PHOSPHORBRONZE  
MATERIAL HOUSING; GLASSFILLED POLYESTER (GRAY)  
UL-RATING 94V0.
  - ▲ GENERAL PLATING SPECIFICATION: UNDERPLATING (ENTIRE CONTACT): 1,27µm NICKEL MIN. AND ACTION PIN: 0,5µm TIN-LEAD MIN. FOR PLATING OF MATING SURFACES SEE APPLICABLE SPECIFICATION REFERENCE FOR EACH DASH NUMBER.
  - ▲ CONFORMS TO ALL TESTING ACCORDING IEC 61076-4-101 PERFORMANCE LEVEL 2.
  - ▲ CONFORMS TO ALL TESTING ACCORDING IEC 61076-4-101 PERFORMANCE LEVEL 1.
  - ▲ CONNECTOR TESTED AND QUALIFIED AGAINST TELCORDIA GR-1217-CORE QUALITY LEVEL III, CENTRAL OFFICE APPLICATIONS.
  - ▲ CONNECTOR TESTED AND QUALIFIED AGAINST TELCORDIA GR-1217-CORE QUALITY LEVEL III, UNCONTROLLED ENVIRONMENT APPLICATIONS.
  - ▲ CONNECTOR LUBRICATED WITH TELCORDIA GR-1217-CORE APPROVED LUBRICANT.
  - ▲ CONNECTOR PRINTED WITH PARTNUMBER AND DATECODE THE MARKING CAN APPEAR ON THE FRONT SIDE OR ON THE BACK SIDE.
  - ▲ PLATED-THROUGH HOLES AT 2x2mm SQUARE GRID. 125 HOLES
  - 10. FITS WITH INTEGRATED GROUND RETURN UPPERSHIELD, BASIC P.N. 338109 AND INTEGRATED GROUND RETURN LOWERSHIELD, BASIC P.N. 338110
  - ▲ CONNECTOR ASSEMBLED WITH REDESIGNED CONTACTS. CONTACTS HAVE A CORING-OUT IN THE PLASTIC.



SCALE 2,5:1  
 COMPONENT SIDE AS SHOWN  
 RECOMMENDED PCB-HOLE LAY-OUT

P.C.B. HOLE DIM. ACTION PIN  
 FOR DETAILS SEE APPLICATION SPECIFICATION

THIS DRAWING IS A CONTROLLED DOCUMENT.

DIMENSIONS: MM	TOLERANCES UNLESS OTHERWISE SPECIFIED:	DWN: D. THUREN 20JAN97	APVD: B. MOOIJ 20JAN97	NAME: <b>tyco Electronics</b> Tyco Electronics Corporation s-Hertogenbosch, Netherlands.
0 PLC ±	1 PLC ±	CHK: W.V.D. HEIJDEN 20JAN97	PRODUCT SPEC: 108-19082	SIZE: A2
2 PLC ±	3 PLC ±		APPLICATION SPEC: 114-19029	CAGE CODE: 00779
4 PLC ±	ANGLES ±		WEIGHT: -	DRAWING NO: C-100145
MATERIAL: -	FINISH: -		CUSTOMER DRAWING	RESTRICTED TO: -
			SCALE: NTS	SHEET 1 OF 1 REV M1

100145

A