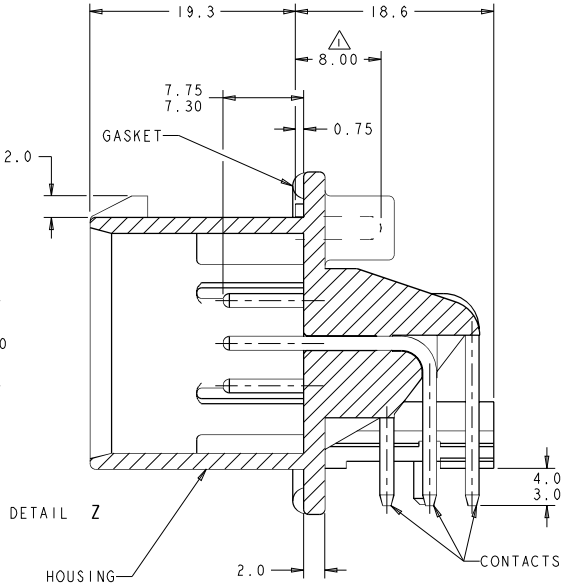
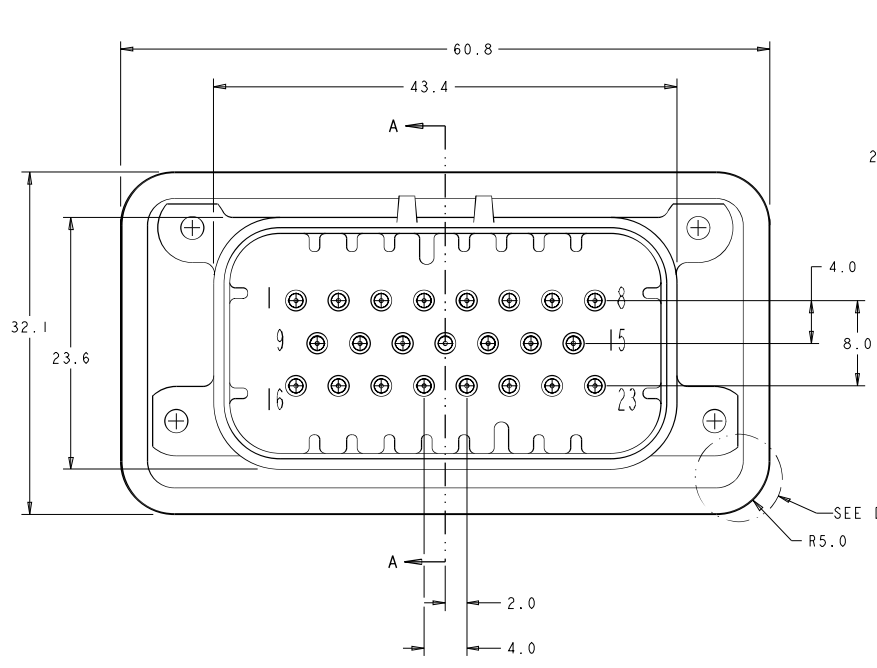
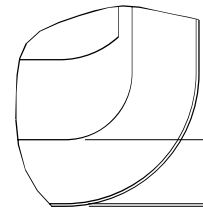
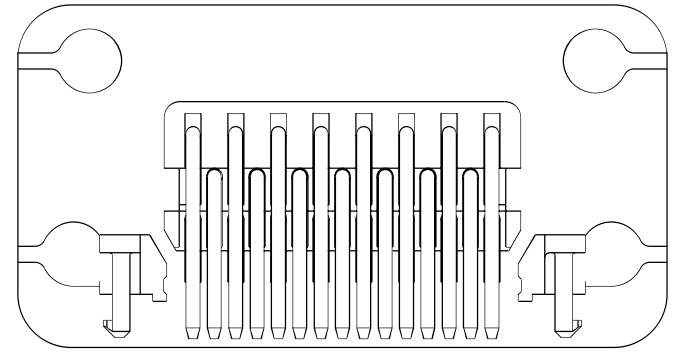


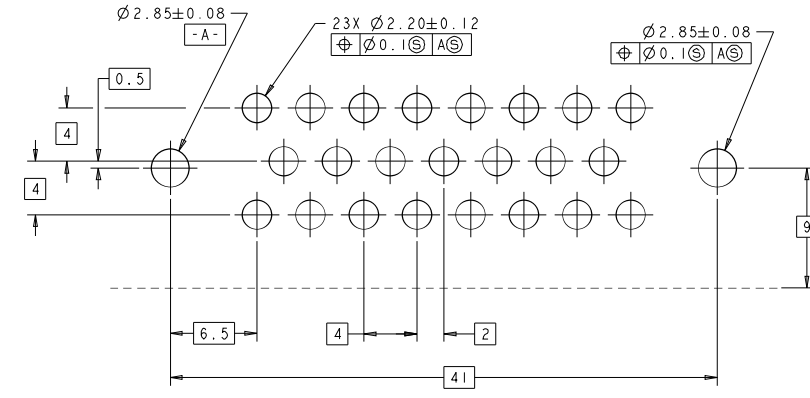
LOC	DATE	REVISIONS	DATE	BY	CHKD
GE	00				
	E2	REVISED PER ECO-10-000719	12JAN2010	DLG	DCS



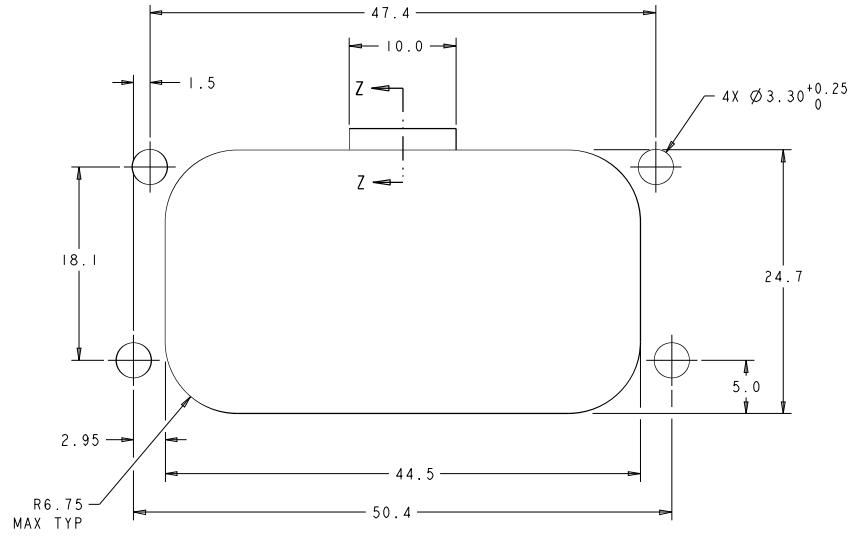
△ ACCEPTS #4 SELF TAPPING THREAD CUTTING SCREWS OR METRIC EQUIVALENT. DRIVE TO 0.6±0.2 N·m MAX.
 △ HOUSING COLORS ARE MECHANICALLY KEYS TO MATE ONLY WITH IDENTICALLY COLORED PLUG ASSEMBLIES.



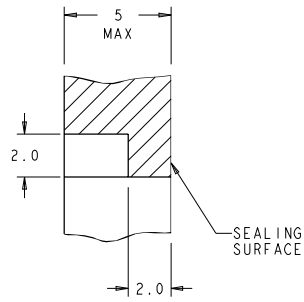
DETAIL Z
 SCALE 10:1



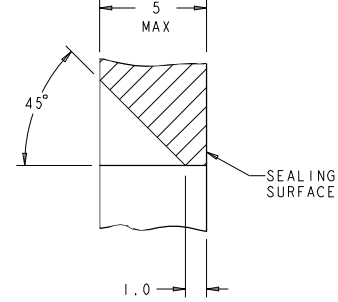
RECOMMENDED P.C. BOARD LAYOUT
 FOR 1.57 THICK P.C. BOARD



RECOMMENDED MOUNTING HOLE LAYOUT
 FOR 5.0 MAX THICK PANEL



SECTION Z-Z
 OPTIONAL CONSTRUCTION IF
 THICKNESS IS GREATER THAN 2.0
 SCALE 8:1



SECTION Z-Z
 OPTIONAL CONSTRUCTION IF
 THICKNESS IS GREATER THAN 2.0
 SCALE 8:1

SILICONE	BRASS	DURAGOLD	PBT	BLUE	1-776087-5
SILICONE	BRASS	DURAGOLD	PBT	GRAY	1-776087-4
SILICONE	BRASS	DURAGOLD	PBT	NATURAL (WHITE)	1-776087-2
SILICONE	BRASS	DURAGOLD	PBT	BLACK	1-776087-1
SILICONE	BRASS	TIN	PBT	BLUE	776087-5
SILICONE	BRASS	TIN	PBT	GRAY	776087-4
SILICONE	BRASS	TIN	PBT	NATURAL (WHITE)	776087-2
SILICONE	BRASS	TIN	PBT	BLACK	776087-1
MATERIAL	MATERIAL	FINISH	MATERIAL	COLOR	
GASKET	CONTACTS		HOUSING		PART NO

THIS DRAWING IS UNPUBLISHED...
 DIMENSIONS: mm
 TYPICAL DIMENSIONS FOR THE CONTACTS...
 DIMENSIONS: 0 PLC, 1 PLC, 2 PLC, 3 PLC, 4 PLC, 5 PLC, 6 PLC, 7 PLC, 8 PLC, 9 PLC, 10 PLC, 11 PLC, 12 PLC, 13 PLC, 14 PLC, 15 PLC, 16 PLC, 17 PLC, 18 PLC, 19 PLC, 20 PLC, 21 PLC, 22 PLC, 23 PLC, 24 PLC, 25 PLC, 26 PLC, 27 PLC, 28 PLC, 29 PLC, 30 PLC, 31 PLC, 32 PLC, 33 PLC, 34 PLC, 35 PLC, 36 PLC, 37 PLC, 38 PLC, 39 PLC, 40 PLC, 41 PLC, 42 PLC, 43 PLC, 44 PLC, 45 PLC, 46 PLC, 47 PLC, 48 PLC, 49 PLC, 50 PLC, 51 PLC, 52 PLC, 53 PLC, 54 PLC, 55 PLC, 56 PLC, 57 PLC, 58 PLC, 59 PLC, 60 PLC, 61 PLC, 62 PLC, 63 PLC, 64 PLC, 65 PLC, 66 PLC, 67 PLC, 68 PLC, 69 PLC, 70 PLC, 71 PLC, 72 PLC, 73 PLC, 74 PLC, 75 PLC, 76 PLC, 77 PLC, 78 PLC, 79 PLC, 80 PLC, 81 PLC, 82 PLC, 83 PLC, 84 PLC, 85 PLC, 86 PLC, 87 PLC, 88 PLC, 89 PLC, 90 PLC, 91 PLC, 92 PLC, 93 PLC, 94 PLC, 95 PLC, 96 PLC, 97 PLC, 98 PLC, 99 PLC, 100 PLC.
 MATERIAL: SEE TABLE
 FINISH: -
 WEIGHT: -
 CUSTOMER DRAWING: -
 DATE: 31DEC2002
 CHK: VESTAL
 CD: CROWE
 D: CROWE
 NAME: Tyco Electronics
 Harrisburg, PA 17105-3608
 PRODUCT SPEC: -
 APPLICATION SPEC: -
 SIZE: A | CODE: 00779 | DRAWING NO: 776087
 RESTRICTED TO: -
 SCALE: 4:1 | SHEET: 1 OF 1 | REV: E2