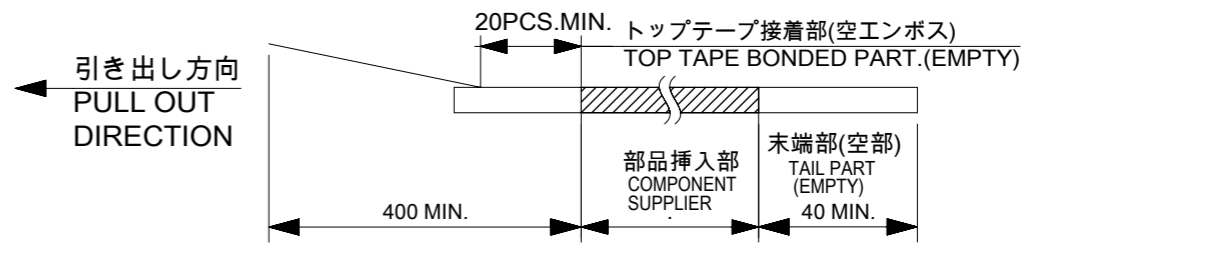
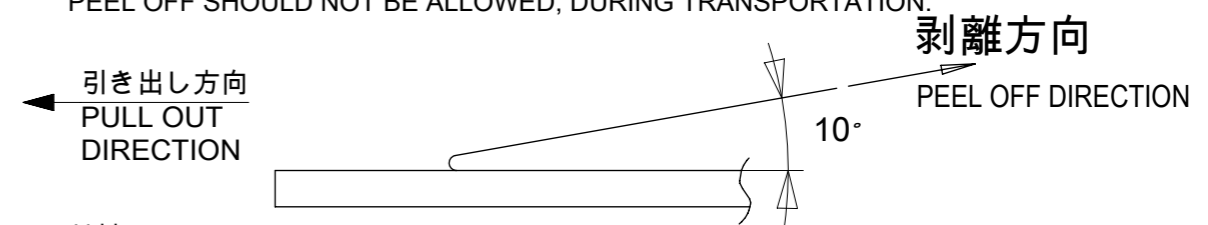


NOTES

1. 製品詳細寸法については、527931000 DOC PART 000図面を参照下さい。
RE DETAILED DIMENSION, SEE 527931000 DOC PART 000
2. 梱包数量 : 1000個 / リール
NUMBER OF CONNECTORS : 1000 PCS/REEL
3. リードテープ長さ LEAD TAPE LENGTH



4. トップテープの剥離強度 : 0.1N-1.3N(10-130gf)(剥離方向は下図参照) 尚、本規格値は出荷時に適用。(但し、輸送時に剥離が発生しないこと。)
PEELING OFF FORCE OF TOP TAPE : 0.1N-1.3N(10-130gf)
(PEELING DIRECTION AS SHOWN IN FOLLOWING FIG.)
THIS REQUIREMENT SHOULD BE APPLIED AT SHIPMENT.
PEEL OFF SHOULD NOT BE ALLOWED, DURING TRANSPORTATION.

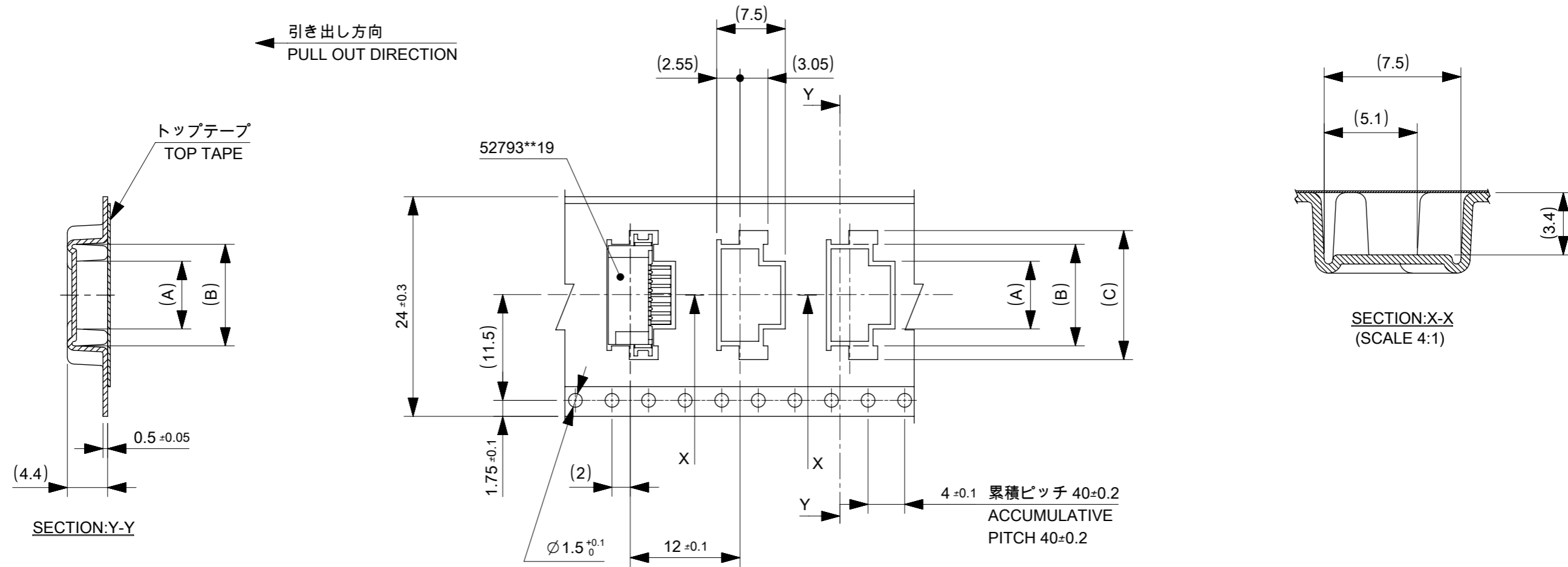


5. 材料(MATERIAL)
キャリアテープ(CARRIER TAPE) : ポリプロピレン(POLYPROPYLENE)
トップテープ(TOP TAPE) : PET, PE, PEF
リール(REEL) : ポリスチレン(PS) <リサイクル材を含む>
POLYSTYRENE(PS) <RECYCLE MATERIAL CONTAINED>

6. 本製品は 52793**90 の鉛フリー品である。
THIS PRODUCT IS LEAD FREE OF 52793**90.

52793**70 MODEL NO.

| | | | | | | | | | | |
|---|---------------------------------------|-----|------|--------------|------------------------|--------------------------|--|-----------------|--------------|--|
| THIS DRAWING CONTAINS INFORMATION THAT IS PROPRIETARY TO MOLEX ELECTRONIC TECHNOLOGIES, LLC AND SHOULD NOT BE USED WITHOUT WRITTEN PERMISSION | | | | | | | | | | |
| EC NO: 108819 DRWN: RLALSANGI CHK'D: KTAKAHASHI APPR: TKUSUHARA01 | GENERAL TOLERANCES (UNLESS SPECIFIED) | | | | DIMENSION UNITS | SCALE | | | | |
| | ANGULAR TOL ± 3.0 ° | | | | MM | NTS | | | | |
| | 4 PLACES | ± | 0.2 | | DRWN BY | DATE | 1.0 FFC CONN ASSY NON ZIF SMT RA UPPER CONTACT EMBSTP PKG -LEAD FREE- | | | |
| | 3 PLACES | ± | 0.2 | | CHK'D BY | DATE | | | | |
| | 2 PLACES | ± | 0.25 | | APPR BY | DATE | | | | |
| 1 PLACE | ± | 0.3 | | TKUSUHARA01 | 2016/09/29 | | | | | |
| 0 PLACES | ± | 0.3 | | DRAWING SIZE | THIRD ANGLE PROJECTION | PRODUCT CUSTOMER DRAWING | | | | |
| DRAFT WHERE APPLICABLE MUST REMAIN WITHIN DIMENSIONS | | | | A3 | | | SERIES | MATERIAL NUMBER | CUSTOMER | |
| | | | | | | 52793 | | GENERAL | | |
| | | | | | | DOCUMENT NUMBER | DOC TYPE | DOC PART | SHEET NUMBER | |
| | | | | | | 527930000 | PSD | 000 | 1 OF 5 | |



24mm幅キャリアテープ
24mm WIDTH CARRIER TAPE

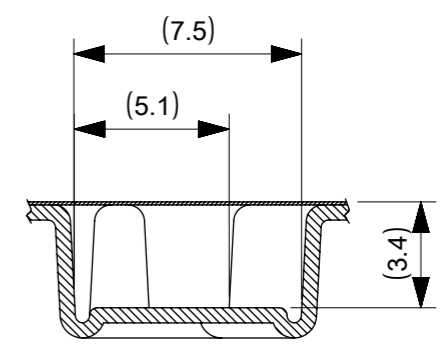
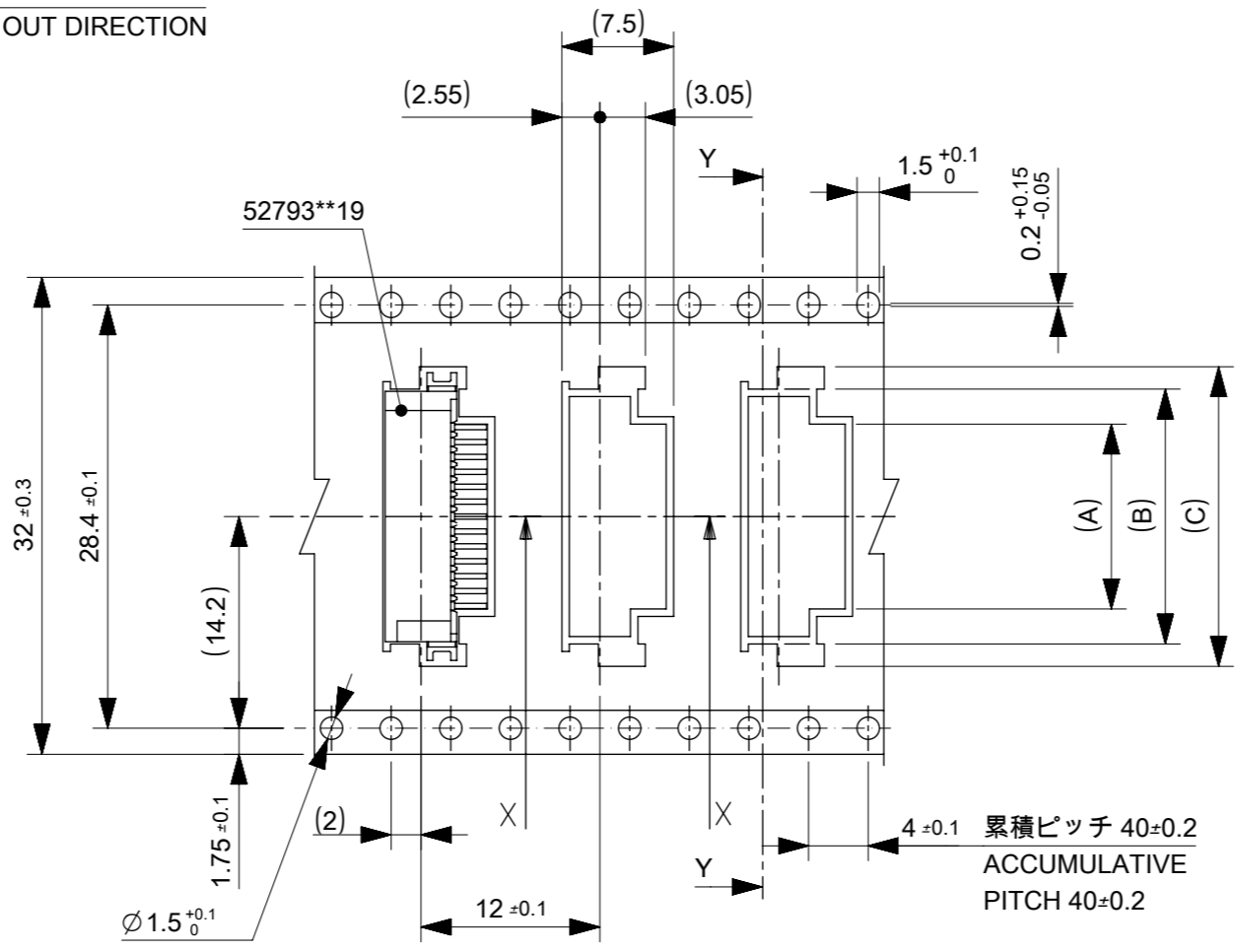
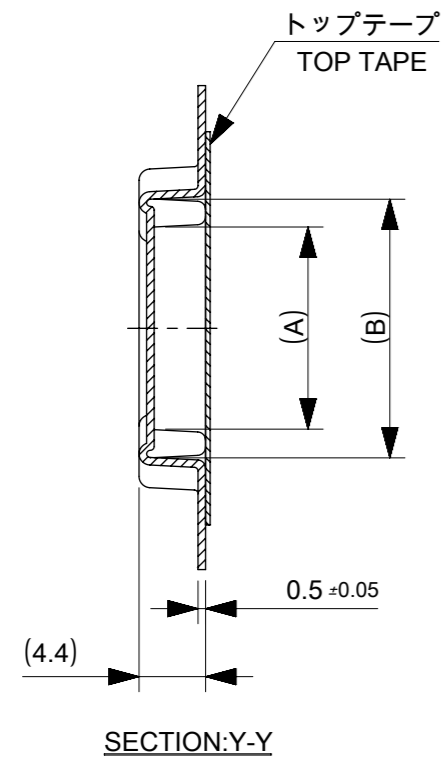
| | | | | | | | | |
|--------------------------------|------|------|------|------|------|-----------|--------------|---------------|
| 24 | 29.4 | 25.4 | 18.1 | 15.1 | 11.4 | 527931170 | 11 | |
| | | | 17.1 | 14.1 | 10.4 | 527931070 | 10 | |
| | | | 16.1 | 13.1 | 9.4 | 527930970 | 9 | |
| | | | 15.1 | 12.1 | 8.4 | 527930870 | 8 | |
| | | | 14.1 | 11.1 | 7.4 | 527930770 | 7 | |
| | | | 13.1 | 10.1 | 6.4 | 527930670 | 6 | |
| | | | 12.1 | 9.1 | 5.4 | 527930570 | 5 | |
| | | | 11.1 | 8.1 | 4.4 | 527930470 | 4 | |
| キャリアテープ幅 CARRIER TAPE WIDTH | | E | D | (C) | (B) | (A) | MATERIAL NO. | 極数 CIRCUIT |

52793**70 MODEL NO.

THIS DRAWING CONTAINS INFORMATION THAT IS PROPRIETARY TO MOLEX ELECTRONIC TECHNOLOGIES, LLC AND SHOULD NOT BE USED WITHOUT WRITTEN PERMISSION

| | | | | | | |
|--|------------|---------------------------------------|------------------------|--|-----------------|-----------------------|
| EC NO: 108819 DRWN: RLALSANGI CHK'D: KTAKAHASHI APPR: TKUSUHARA01 | 2016/02/03 | GENERAL TOLERANCES (UNLESS SPECIFIED) | | DIMENSION UNITS | SCALE | |
| | 2016/09/28 | ANGULAR TOL ± 3.0 ° | | MM | NTS | |
| | 2016/09/29 | 4 PLACES | ± 0.2 | DRWN BY | DATE | |
| | | 3 PLACES | ± 0.2 | RLALSANGI | 2016/02/03 | |
| | | 2 PLACES | ± 0.25 | CHK'D BY | DATE | |
| | 1 PLACE | ± 0.3 | KTAKAHASHI | 2016/09/28 | | |
| | 0 PLACES | ± 0.3 | APPR BY | DATE | | |
| | | | TKUSUHARA01 | 2016/09/29 | | |
| DRAFT WHERE APPLICABLE MUST REMAIN WITHIN DIMENSIONS | | DRAWING SIZE | THIRD ANGLE PROJECTION | | | |
| A | REV | A3 | | 1.0 FFC CONN ASSY NON ZIF SMT RA UPPER CONTACT EMBSTP PKG -LEAD FREE- | | |
| | | PRODUCT CUSTOMER DRAWING | | SERIES | MATERIAL NUMBER | CUSTOMER |
| | | | | 52793 | | GENERAL |
| | | | | DOCUMENT NUMBER | DOC TYPE | DOC PART SHEET NUMBER |
| | | | | 527930000 | PSD | 000 2 OF 5 |

引き出し方向
PULL OUT DIRECTION



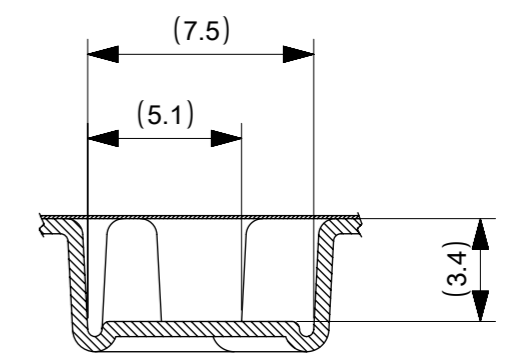
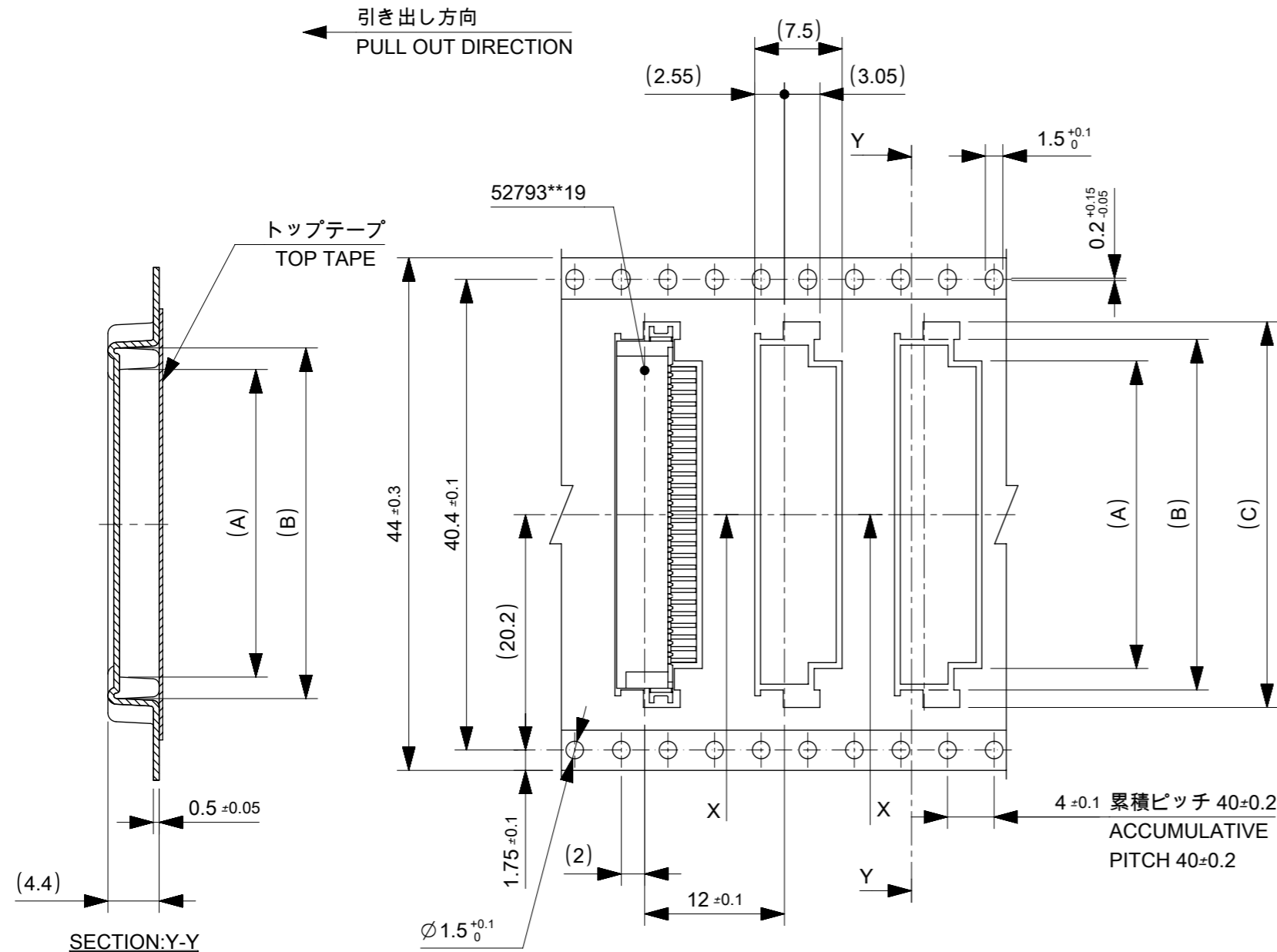
32mm 幅キャリアテープ
32mm WIDTH CARRIER TAPE

| | | | | | | | |
|--------------------------------|------|------|------|------|------|--------------|---------------|
| 32 | 37.4 | 33.4 | 23.1 | 20.1 | 16.4 | 527931670 | 16 |
| | | | 22.1 | 19.1 | 15.4 | 527931570 | 15 |
| | | | 21.1 | 18.1 | 14.4 | 527931470 | 14 |
| | | | 20.1 | 17.1 | 13.4 | 527931370 | 13 |
| | | | 19.1 | 16.1 | 12.4 | 527931270 | 12 |
| キャリアテープ幅 CARRIER TAPE WIDTH | E | D | (C) | (B) | (A) | MATERIAL NO. | 極数 CIRCUIT |

52793**70 MODEL NO.

THIS DRAWING CONTAINS INFORMATION THAT IS PROPRIETARY TO MOLEX ELECTRONIC TECHNOLOGIES, LLC AND SHOULD NOT BE USED WITHOUT WRITTEN PERMISSION

| | | | | | | | |
|--|------------|---------------------------------------|-----------------|------------------------|------------|--|--------------|
| EC NO: 108819 DRWN: RLALSANGI CHK'D: KTAKAHASHI APPR: TKUSUHARA01 | 2016/02/03 | GENERAL TOLERANCES (UNLESS SPECIFIED) | | DIMENSION UNITS | SCALE | | |
| | 2016/09/28 | ANGULAR TOL ± 3.0 ° | | MM | NTS | | |
| | 2016/09/29 | 4 PLACES | ± 0.2 | DRWN BY | DATE | | |
| | | 3 PLACES | ± 0.2 | RLALSANGI | 2016/02/03 | | |
| | | 2 PLACES | ± 0.25 | CHK'D BY | DATE | | |
| | 1 PLACE | ± 0.3 | KTAKAHASHI | 2016/09/28 | | | |
| | 0 PLACES | ± 0.3 | APPR BY | DATE | | | |
| | | | TKUSUHARA01 | 2016/09/29 | | | |
| DRAFT WHERE APPLICABLE MUST REMAIN WITHIN DIMENSIONS | | | DRAWING SIZE | THIRD ANGLE PROJECTION | | 1.0 FFC CONN ASSY NON ZIF SMT RA UPPER CONTACT EMBSTP PKG -LEAD FREE- PRODUCT CUSTOMER DRAWING | |
| | | | A3 | | | | |
| | | | | | | | |
| | | | DOCUMENT NUMBER | | DOC TYPE | DOC PART | SHEET NUMBER |
| | | | 527930000 | | PSD | 000 | 3 OF 5 |

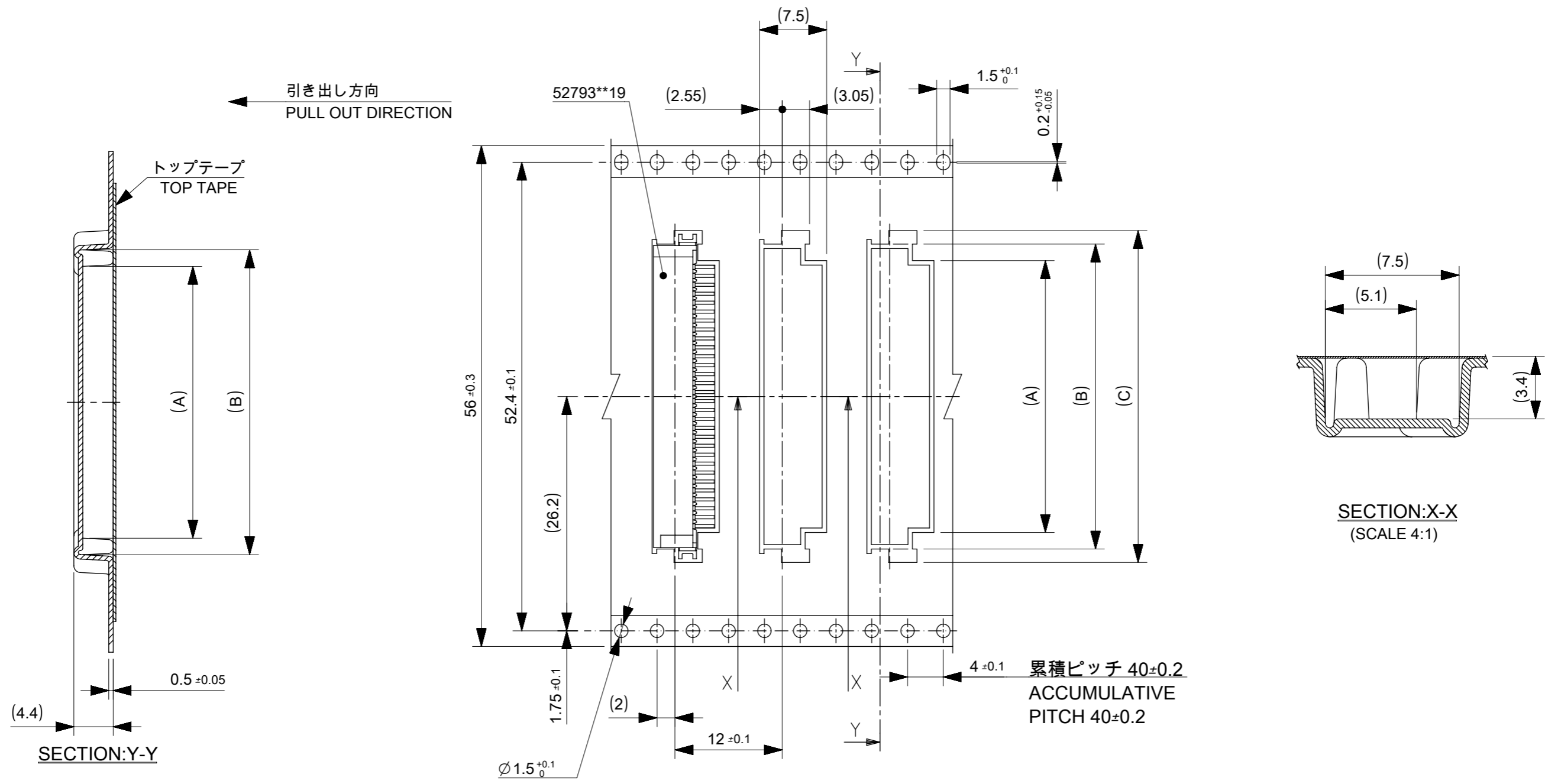


44mm幅キャリアテープ
44mm WIDTH CARRIER TAPE

| | | | | | | | | | |
|----|------|------|--------------------------------|------|------|-----------|-----------|-----------|-----|
| 44 | 49.4 | 45.4 | 34.1 | 31.1 | 27.4 | 527932770 | 27 | | |
| | | | 33.1 | 30.1 | 26.4 | 527932670 | 26 | | |
| | | | 32.1 | 29.1 | 25.4 | 527932570 | 25 | | |
| | | | 31.1 | 28.1 | 24.4 | 527932470 | 24 | | |
| | | | 30.1 | 27.1 | 23.4 | 527932370 | 23 | | |
| | | | 29.1 | 26.1 | 22.4 | 527932270 | 22 | | |
| | | | 28.1 | 25.1 | 21.4 | 527932170 | 21 | | |
| | | | 27.1 | 24.1 | 20.4 | 527932070 | 20 | | |
| | | | 26.1 | 23.1 | 19.4 | 527931970 | 19 | | |
| | | | 25.1 | 22.1 | 18.4 | 527931870 | 18 | | |
| | | | 24.1 | 21.1 | 17.4 | 527931770 | 17 | | |
| | | | キャリアテープ幅 CARRIER TAPE WIDTH | | | E | D | (C) | (B) |
| | | | | | | | 52793**70 | MODEL NO. | |

THIS DRAWING CONTAINS INFORMATION THAT IS PROPRIETARY TO MOLEX ELECTRONIC TECHNOLOGIES, LLC AND SHOULD NOT BE USED WITHOUT WRITTEN PERMISSION

| | | | | | | |
|--|------------|---------------------------------------|--------------------------|------------------------|--------------|--|
| EC NO: 108819 DRWN: RLALSANGI CHK'D: KTAKAHASHI APPR: TKUSUHARA01 | 2016/02/03 | GENERAL TOLERANCES (UNLESS SPECIFIED) | | DIMENSION UNITS | SCALE | |
| | 2016/09/28 | ANGULAR TOL ± 3.0 ° | | MM | NTS | |
| | 2016/09/29 | 4 PLACES | ± 0.2 | DRWN BY | DATE | |
| | | 3 PLACES | ± 0.2 | RLALSANGI | 2016/02/03 | |
| | | 2 PLACES | ± 0.25 | CHK'D BY | DATE | |
| | 1 PLACE | ± 0.3 | KTAKAHASHI | 2016/09/28 | | |
| | 0 PLACES | ± 0.3 | APPR BY | DATE | | |
| | | | TKUSUHARA01 | 2016/09/29 | | |
| DRAFT WHERE APPLICABLE MUST REMAIN WITHIN DIMENSIONS | | | DRAWING SIZE | THIRD ANGLE PROJECTION | | 1.0 FFC CONN ASSY NON ZIF SMT RA UPPER CONTACT EMBSTP PKG -LEAD FREE- |
| | | | A3 | | | |
| | | | PRODUCT CUSTOMER DRAWING | | | |
| SERIES | | MATERIAL NUMBER | | CUSTOMER | | GENERAL |
| 52793 | | | | | | |
| DOCUMENT NUMBER | | | DOC TYPE | DOC PART | SHEET NUMBER | |
| 527930000 | | | PSD | 000 | 4 OF 5 | |

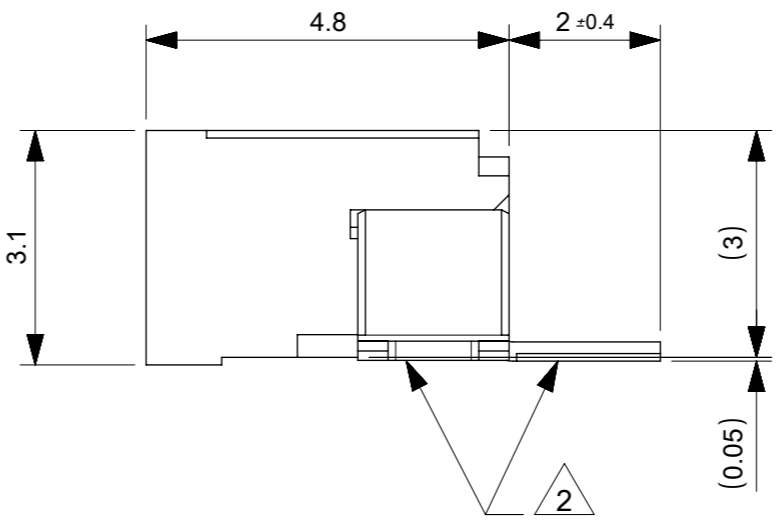
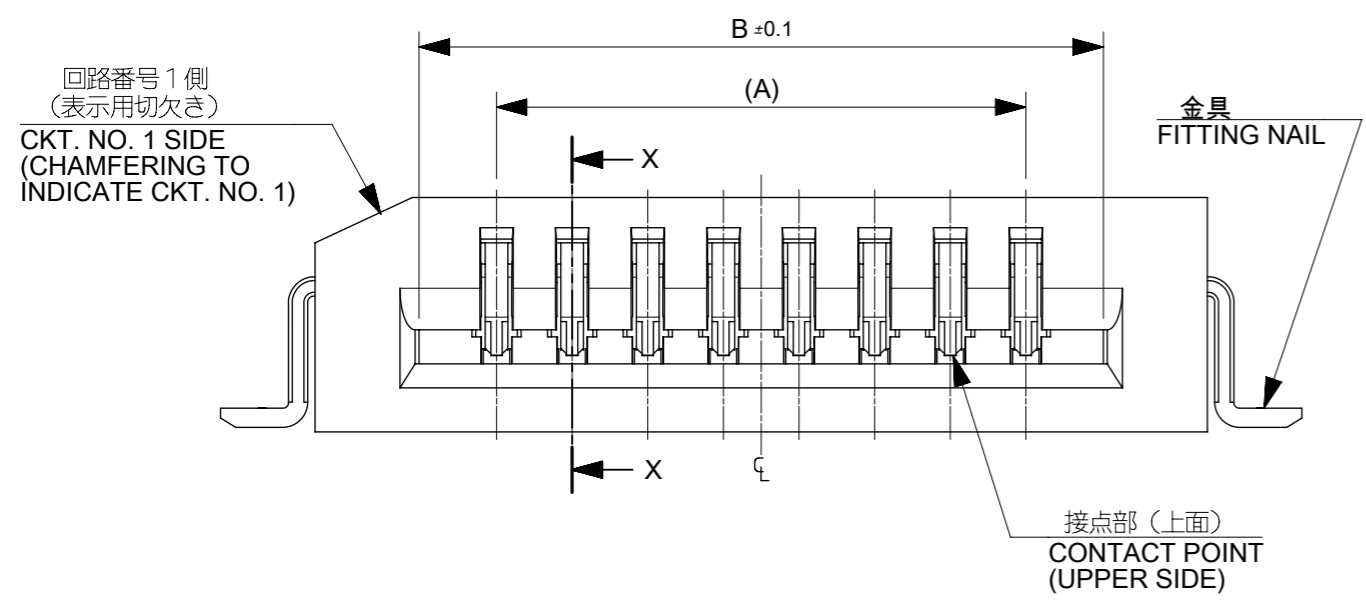
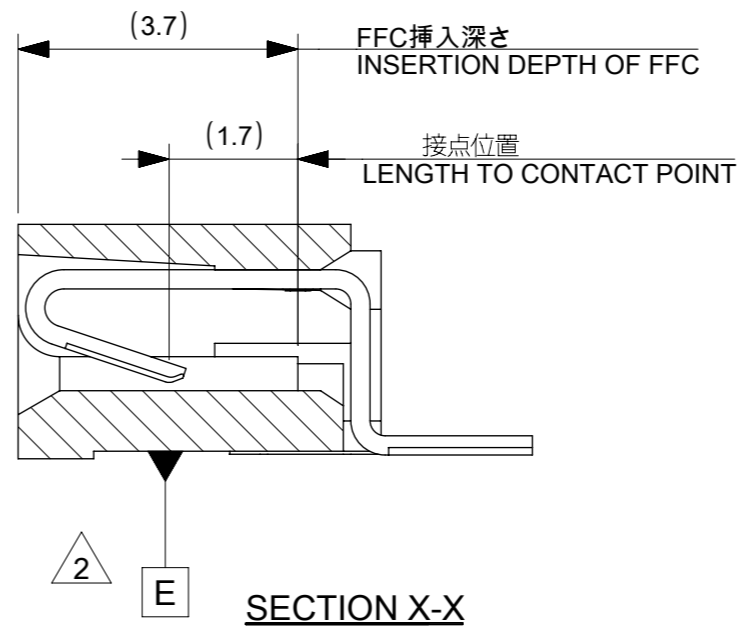
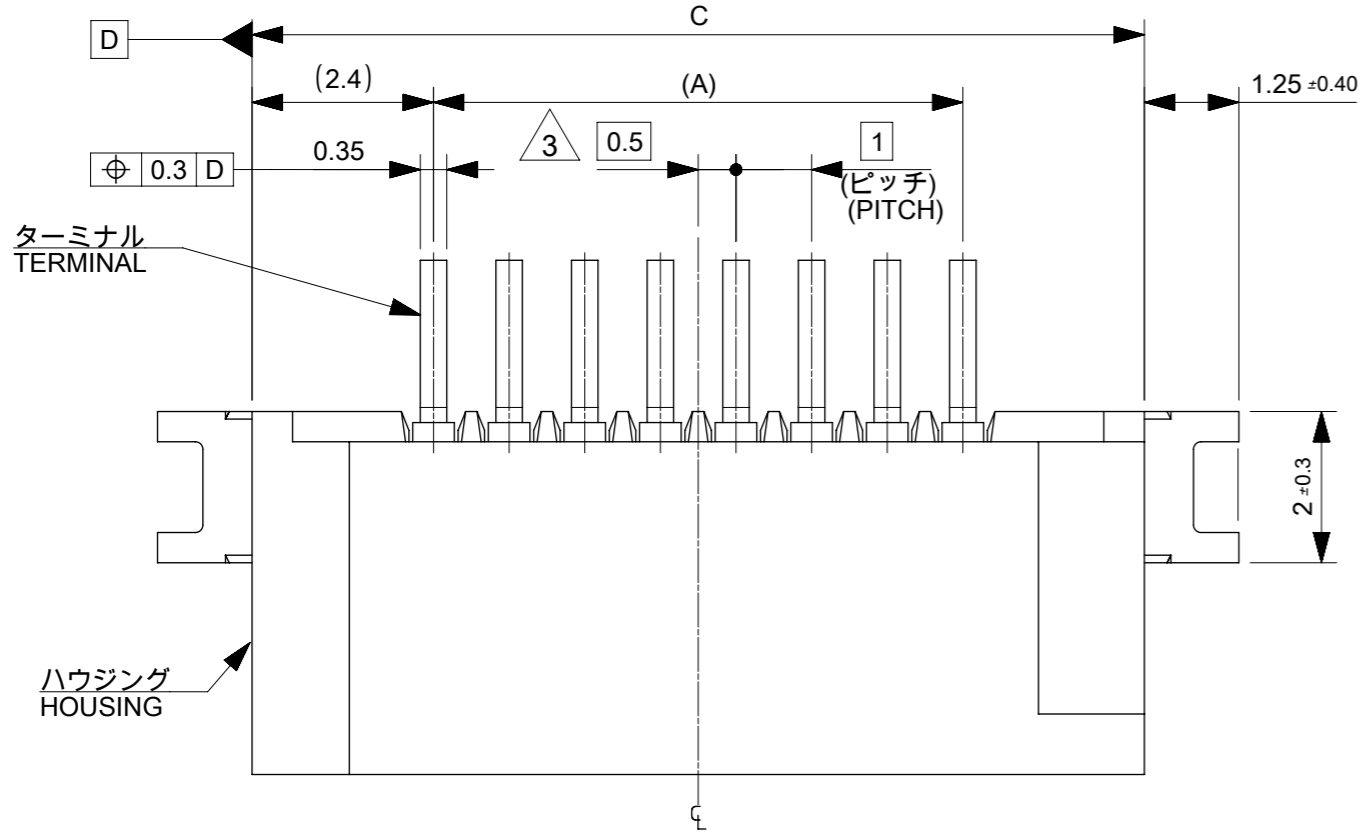


56mm 幅キャリアテープ
56mm WIDTH CARRIER TAPE

| | | | | | | | |
|--------------------------------|------|------|------|------|------|--------------|---------------|
| 56 | 61.4 | 57.4 | 37.1 | 34.1 | 30.4 | 527933070 | 30 |
| | | | 36.1 | 33.1 | 29.4 | 527932970 | 29 |
| | | | 35.1 | 32.1 | 28.4 | 527932870 | 28 |
| キャリアテープ幅 CARRIER TAPE WIDTH | E | D | (C) | (B) | (A) | MATERIAL NO. | 極数 CIRCUIT |
| | | | | | | 52793**70 | MODEL NO. |

THIS DRAWING CONTAINS INFORMATION THAT IS PROPRIETARY TO MOLEX ELECTRONIC TECHNOLOGIES, LLC AND SHOULD NOT BE USED WITHOUT WRITTEN PERMISSION

| | | | | | | | | |
|--|------------|---------------------------------------|-----------------|------------------------|------------|--|-----------------|----------|
| EC NO: 108819 DRWN: RLALSANGI CHK'D: KTAKAHASHI APPR: TKUSUHARA01 | 2016/02/03 | GENERAL TOLERANCES (UNLESS SPECIFIED) | | DIMENSION UNITS | SCALE | | | |
| | 2016/09/28 | ANGULAR TOL ± 3.0 ° | | MM | NTS | | | |
| | 2016/09/29 | 4 PLACES | ± 0.2 | DRWN BY | DATE | | | |
| | | 3 PLACES | ± 0.2 | RLALSANGI | 2016/02/03 | | | |
| | | 2 PLACES | ± 0.25 | CHK'D BY | DATE | | | |
| | 1 PLACE | ± 0.3 | KTAKAHASHI | 2016/09/28 | | | | |
| | 0 PLACES | ± 0.3 | APPR BY | DATE | | | | |
| | | | TKUSUHARA01 | 2016/09/29 | | | | |
| DRAFT WHERE APPLICABLE MUST REMAIN WITHIN DIMENSIONS | | | DRAWING SIZE | THIRD ANGLE PROJECTION | | 1.0 FFC CONN ASSY NON ZIF SMT RA UPPER CONTACT EMBSTP PKG -LEAD FREE- PRODUCT CUSTOMER DRAWING | | |
| | | | A3 | | | | | |
| | | | | | | | | |
| RELEASE STATUS | | P1 | RELEASE DATE | 29.09.2016 | 01:01:06 | SERIES | MATERIAL NUMBER | CUSTOMER |
| | | | | | | 52793 | | GENERAL |
| | | | DOCUMENT NUMBER | | DOC TYPE | DOC PART | SHEET NUMBER | |
| | | | 527930000 | | PSD | 000 | 5 OF 5 | |



| | | | | |
|------|-------|----|--------------|---------------|
| 33.8 | 31.05 | 29 | 527933019 | 30 |
| 32.8 | 30.05 | 28 | 527932919 | 29 |
| 31.8 | 29.05 | 27 | 527932819 | 28 |
| 30.8 | 28.05 | 26 | 527932719 | 27 |
| 29.8 | 27.05 | 25 | 527932619 | 26 |
| 28.8 | 26.05 | 24 | 527932519 | 25 |
| 27.8 | 25.05 | 23 | 527932419 | 24 |
| 26.8 | 24.05 | 22 | 527932319 | 23 |
| 25.8 | 23.05 | 21 | 527932219 | 22 |
| 24.8 | 22.05 | 20 | 527932119 | 21 |
| 23.8 | 21.05 | 19 | 527932019 | 20 |
| 22.8 | 20.05 | 18 | 527931919 | 19 |
| 21.8 | 19.05 | 17 | 527931819 | 18 |
| 20.8 | 18.05 | 16 | 527931719 | 17 |
| 19.8 | 17.05 | 15 | 527931619 | 16 |
| 18.8 | 16.05 | 14 | 527931519 | 15 |
| 17.8 | 15.05 | 13 | 527931419 | 14 |
| 16.8 | 14.05 | 12 | 527931319 | 13 |
| 15.8 | 13.05 | 11 | 527931219 | 12 |
| 14.8 | 12.05 | 10 | 527931119 | 11 |
| 13.8 | 11.05 | 9 | 527931019 | 10 |
| 12.8 | 10.05 | 8 | 527930919 | 9 |
| 11.8 | 9.05 | 7 | 527930819 | 8 |
| 10.8 | 8.05 | 6 | 527930719 | 7 |
| 9.8 | 7.05 | 5 | 527930619 | 6 |
| 8.8 | 6.05 | 4 | 527930519 | 5 |
| 7.8 | 5.05 | 3 | 527930419 | 4 |
| 6.8 | 4.05 | 2 | 527930319 | 3 |
| C | B | A | MATERIAL NO. | 極数 CIRCUIT |

THIS DRAWING CONTAINS INFORMATION THAT IS PROPRIETARY TO MOLEX ELECTRONIC TECHNOLOGIES, LLC AND SHOULD NOT BE USED WITHOUT WRITTEN PERMISSION

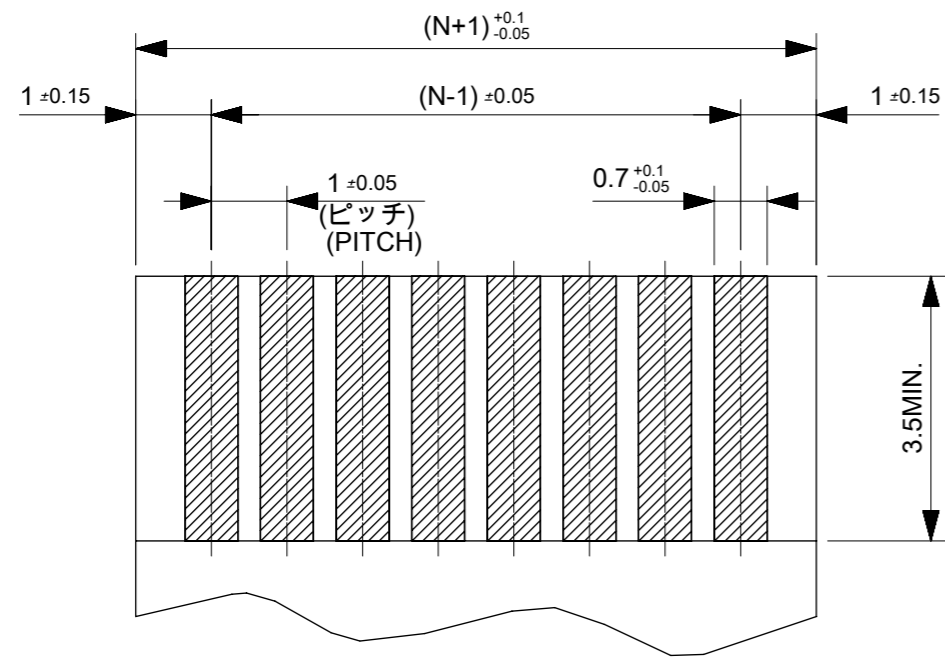
| | | | | |
|---|----------------|--|-----------------|------------------------|
| EC NO: 108819 DRWN: GB CHK'D: KTAKAHASHI APPR: TKUSUHARA01 | 2016/01/19 | GENERAL TOLERANCES (UNLESS SPECIFIED) | DIMENSION UNITS | SCALE |
| | 2016/09/28 | ANGULAR TOL ± 3.0 ° | MM | 10:1 |
| | 2016/09/29 | 4 PLACES ± 0.2 | DRWN BY | DATE |
| | | 3 PLACES ± 0.2 | GB | 2016/01/19 |
| | | 2 PLACES ± 0.25 | CHK'D BY | DATE |
| | 1 PLACE ± 0.3 | KTAKAHASHI | 2016/09/28 | |
| | 0 PLACES ± 0.3 | APPR BY | DATE | |
| | | TKUSUHARA01 | 2016/09/29 | |
| | | DRAFT WHERE APPLICABLE MUST REMAIN WITHIN DIMENSIONS | DRAWING SIZE | THIRD ANGLE PROJECTION |
| | | | A3 | |

molex[®]

1.0 FFC CONN NON ZIF SMT R/A
(UPPER CONTACT) -LEAD FREE-

PRODUCT CUSTOMER DRAWING

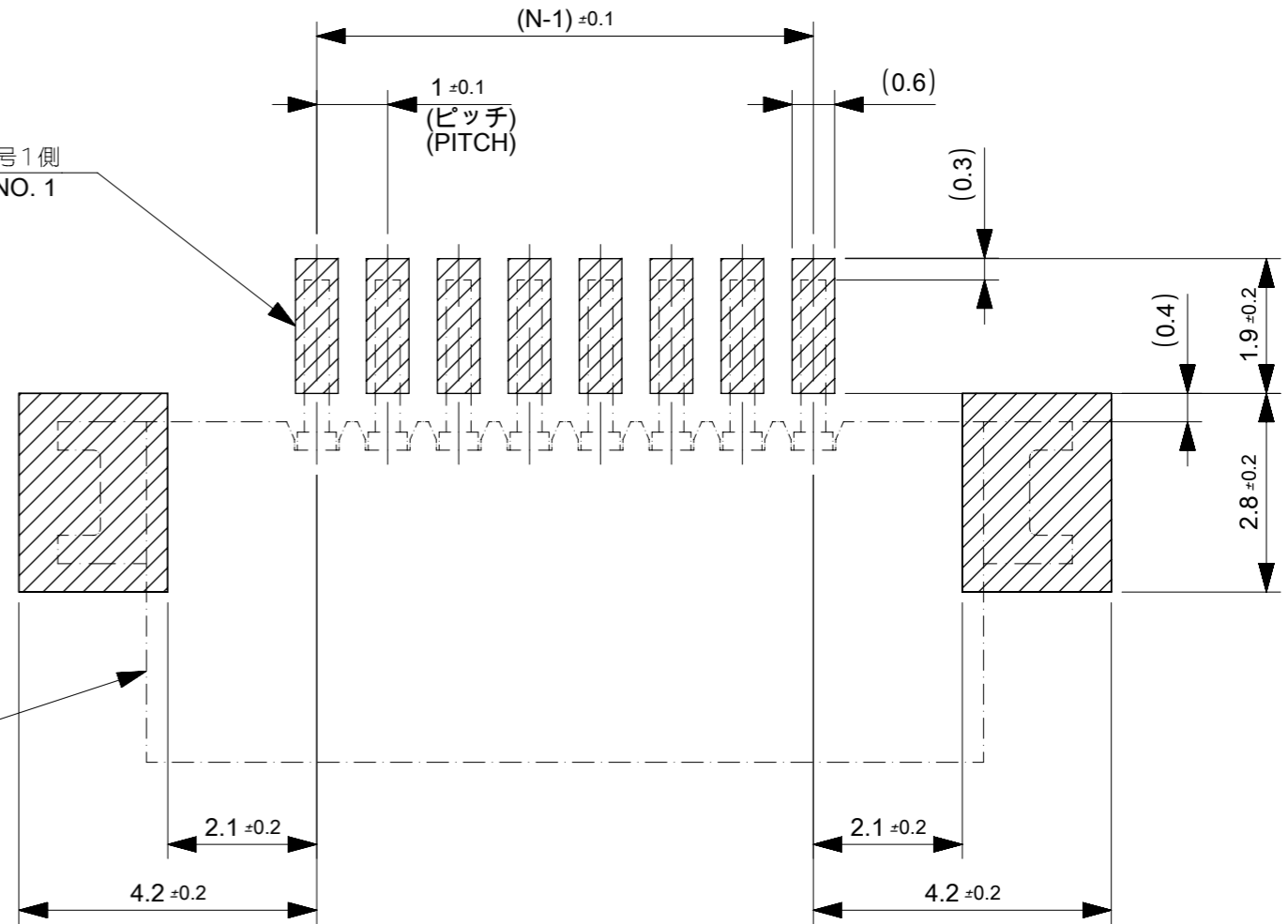
| | | | |
|-----------------|-----------------|----------|--------------|
| SERIES | MATERIAL NUMBER | CUSTOMER | |
| 52793 | | GENERAL | |
| DOCUMENT NUMBER | DOC TYPE | DOC PART | SHEET NUMBER |
| 527931000 | PSD | 000 | 1 OF 2 |



(仕上がり厚さ0.3 ±0.03)
THICKNESS
適合FPC推奨寸法
APPLICABLE FPC
RECOMMENDED DIMENSION

回路番号1側
CKT. NO. 1
SIDE

コネクタ位置
CONNECTOR
POSITION



参考基板レイアウト (マウント面)
RECOMMENDED P.C. BOARD
PATTERN DIMENSION. (REF.)
(MOUNTING AREA)

注記 NOTES:

1. 使用材料 MATERIAL

| | |
|----------------------|-------------------------------|
| ハウジング: PPS, UL94V-0 | HOUSING: PPS, UL94V-0 |
| ターミナル: リン青銅 (t=0.25) | TERMINAL: PHOSPHOR BRONZE |
| メッキ: ニッケル下地錫ピスマスメッキ | PLATING: Sn-Bi OVER Ni |
| 金具: リン青銅 (t=0.25) | FITTING NAIL: PHOSPHOR BRONZE |
| メッキ: ニッケル下地純錫メッキ | PLATING: Sn OVER Ni |
2. 基準面 [E] からの溶剤テールとフィッティングネイルの半田付け面のズレ量は、上方向に0.1 MAX.、下方向0.15 MAX.とする。
MISALIGNMENT OF SOLDER TAIL AND FITTING NAIL FROM [E]
: UPPER DIRECTION 0.1 MAX., LOWER DIRECTION 0.15 MAX..
3. 偶数極に適用。
APPLY FOR EVEN CKT..
4. 本製品は 52793 **10 の鉛フリー品である。
THIS PRODUCT IS LEAD FREE OF 52793**10.

THIS DRAWING CONTAINS INFORMATION THAT IS PROPRIETARY TO MOLEX ELECTRONIC TECHNOLOGIES, LLC AND SHOULD NOT BE USED WITHOUT WRITTEN PERMISSION

| | | | | | | | | | |
|---|------------|---------------------------------------|--|-----------------|------------------------|---|-----------------|----------|--------------|
| EC NO: 108819 DRWN: GB CHK'D: KTAKAHASHI APPR: TKUSUHARA01 | 2016/01/19 | GENERAL TOLERANCES (UNLESS SPECIFIED) | | DIMENSION UNITS | SCALE | | | | |
| | 2016/09/28 | ANGULAR TOL ± 3.0 ° | | MM | 1:1 | | | | |
| | 2016/09/29 | 4 PLACES ± 0.2 | 3 PLACES ± 0.2 | DRWN BY | DATE | | | | |
| | | 2 PLACES ± 0.25 | 1 PLACE ± 0.3 | GB | 2016/01/19 | | | | |
| | | 0 PLACES ± 0.3 | DRAFT WHERE APPLICABLE MUST REMAIN WITHIN DIMENSIONS | | CHK'D BY | | DATE | | |
| | | | | KTAKAHASHI | 2016/09/28 | 1.0 FFC CONN NON ZIF SMT R/A (UPPER CONTACT) -LEAD FREE- | | | |
| | | | | APPR BY | DATE | | | | |
| | | | | TKUSUHARA01 | 2016/09/29 | | | | |
| | | | | DRAWING SIZE | THIRD ANGLE PROJECTION | PRODUCT CUSTOMER DRAWING | | | |
| | | | | A3 | | SERIES | MATERIAL NUMBER | CUSTOMER | |
| | | | | | | 52793 | | GENERAL | |
| | | | | | | DOCUMENT NUMBER | DOC TYPE | DOC PART | SHEET NUMBER |
| | | | | | | 527931000 | PSD | 000 | 2 OF 2 |