

Faston Power Relay 410 63 125°C

1 pole 16 A



F0248-AA

Features

- 1 N/O or 1 N/C contact
- 16 A rated current
- Switching capacity 4000 VA
- Coil power 360 mW
- 4 kV / 8 mm coil-contact, insulation to VDE 0631 and 0700
- Ambient temperature up to 125°C
- Faston-terminals for load side

Applications

White goods appliances, oven control, electric heating, power supplies, air conditioning, motors, magnetic valves



Technical data of approved types on request

Contact data

Configuration	1 N/O contact or 1 N/C contact
Type of contact	single contact
Rated current	16 A
Rated voltage / max.breaking voltage AC	250 Vac / 400 Vac
Maximum breaking capacity AC	4000 VA
Make current (max. 4 s at duty cycle 10%)	25 A
Contact material	AgCdO

Contact ratings

Type	Load	Operations
N/O cont.	16 A, 250 Vac, resistive, 125 °C	1x10 ⁵
N/O cont.	12 A, 250 Vac, resistive, 70 °C	4.5x10 ⁵
N/C cont.	16 A, 250 Vac, resistive, 125 °C	1.5x10 ⁵
N/O cont.	10 A, 400 Vac, resistive, 125 °C	5x10 ⁴
N/O cont.	12 A, 250 Vac, cosφ=0.6, 125 °C	5x10 ⁴

Coil data

Nominal voltage	6...60 Vdc
Nominal coil power	360 mW
Operate category	1 / b

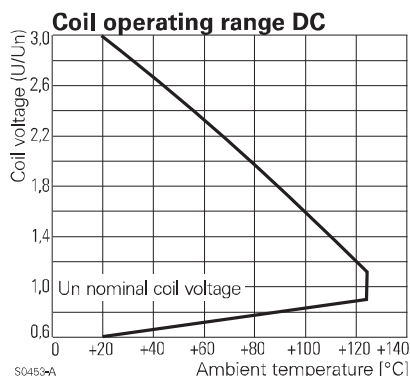
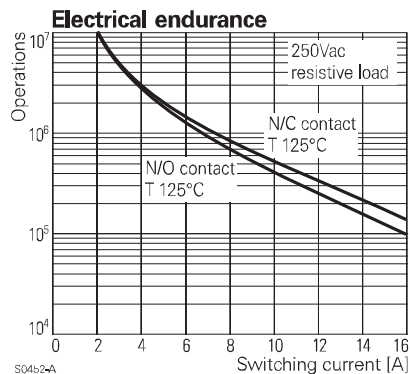
Coil versions

Coil code	Nominal voltage Vdc	Pull-in voltage Vdc	Release voltage Vdc	Maximum voltage Vdc	Coil resistance Ω	Coil current mA
054	6	3.6	0.45	17.0	100±10%	60.0
050	12	7.3	0.9	35.0	400±10%	30.0
046	24	14.6	1.8	67.0	1600±10%	15.0
043	48	29.2	3.6	135.0	6400±10%	7.5
042	60	36.5	4.5	168.0	10000±10%	6.0

All figures are given for coil without preenergization, at ambient temperature +20°C
Other coil voltages on request

Insulation

Dielectric strength	coil-contacts	4000 V _{rms}
	open contact circuit	1000 V _{rms}
Clearance / creepage		8 mm
Insulation to IEC 60664		
	Voltage rating	250 V
	Pollution degree	3
	Overvoltage category	III
Insulation to VDE 0110b (2/79)		
	Insulation category / reference voltage	C / 250
Tracking resistance of relay base		PTI 250



Faston Power Relay 410 63 125°C

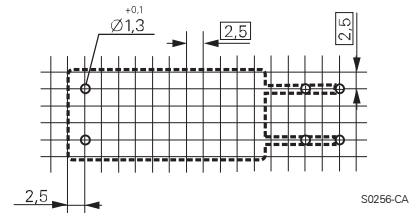
1 pole 16 A

Other data

Flammability class according to UL 94	V-0
Ambient temperature	-20...+125 °C
Mechanical life	10x10 ⁶ operations
Max. switching rate at rated- / minimum load	10 min ⁻¹ / 600 min ⁻¹
Operate- / release time	typ. 10 / 5 ms
Bounce time	typ. 3 ms
Category of protection (IEC 61810)	RT II - flux proof
Relay weight	24 g
Packaging unit	20 / 75 / 1050 pcs.

PCB layout / terminal assignment

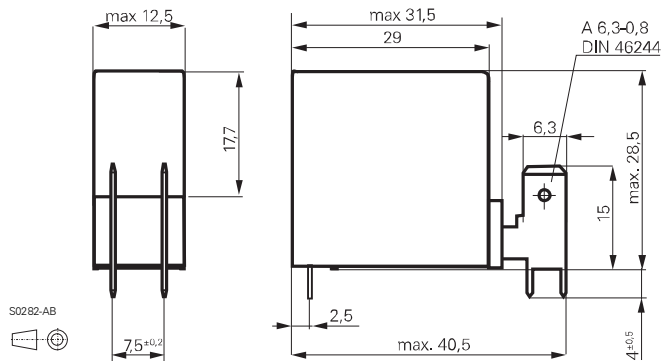
View on solder pins
Dimensions in mm



S0256-CA

Dimensions

Dimensions in mm

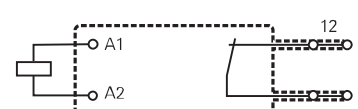


1 N/O contact



S0256-CB

1 N/C contact



S0256-CC

Product key

0	4	1	0	6	3				
----------	----------	----------	----------	----------	----------	--	--	--	--

Type

Coil

Coil code: Please refer to coil versions table, preferred types in bold print

Version

001 1 N/O contact

002 1 N/C contact

Other types on request

Edition: 01/2004

Product key	Version	Cont-material	Cont.configuration	Coil	Part number
0410 63 050 001	standard	AgCdO	1 N/O contact	12Vdc	3-1415410-4
0410 63 046 001	PCB terminals			24Vdc	3-1415410-0
0410 63 050 002	Faston terminals		1 N/C contact	12Vdc	3-1415410-5

Rights to change data / design reserved