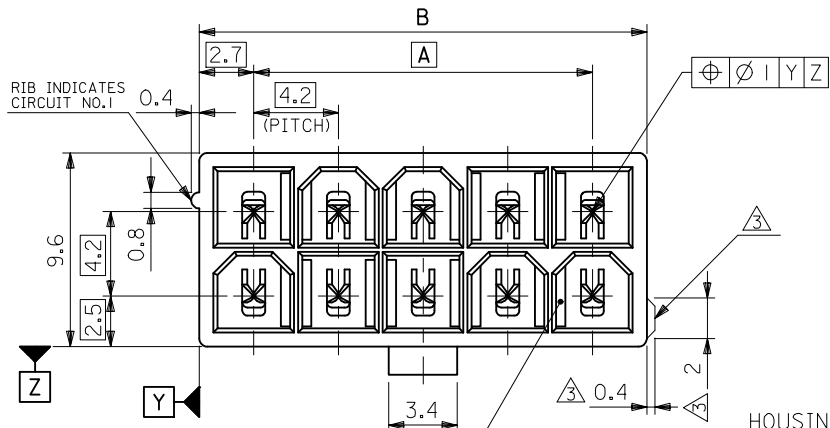
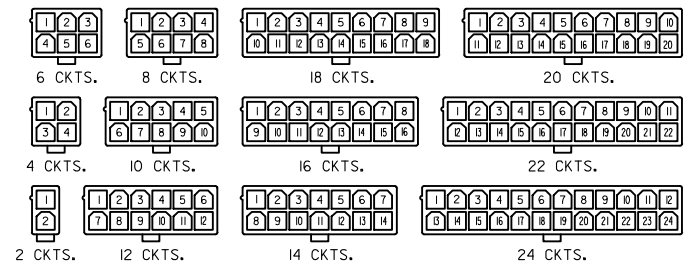


10 9 8 7 6 5 4 3 2 1



| | | |
|---------------|---------------|------------------|
| 51.6 | 46.2 | 24 |
| 47.4 | 42 | 22 |
| 43.2 | 37.8 | 20 |
| 39 | 33.6 | 18 |
| 34.8 | 29.4 | 16 |
| 30.6 | 25.2 | 14 |
| 26.4 | 21 | 12 |
| 22.2 | 16.8 | 10 |
| 18 | 12.6 | 8 |
| 13.8 | 8.4 | 6 |
| 9.6 | 4.2 | 4 |
| 5.4 | — | 2 |
| DIM. B | DIM. A | CKT. SIZE |



CIRCUIT SIZE LAYOUT
(SCALE 1:1)

NOTES

- 1. MATE WITH : 5557 SERIES
- 2. LEGEND

BASE NUMBER _____ 5566 - N * * * - * - *

CIRCUIT SIZE _____

ASS'Y TYPE _____

A : WITHOUT DRAIN HOLES

B : WITH DRAIN HOLES

TERMINAL MATERIAL _____

"BLANK": BRASS

PB : PHOSPHOR BRONZE

TERMINAL PLATING _____

"BLANK": BRIGHT TIN 0.9µm MIN. OVER COPPER 0.5µm MIN. (BRASS)

TIN 0.9µm MIN. REFLOW TREATMENT

OR BRIGHT TIN 0.9µm MIN. (PHOSPHOR BRONZE)

S : BRIGHT TIN 2.54µm MIN. OVER NICKEL 1.27µm MIN.

GS : SELECT GOLD 0.76µm MIN. AND SELECT PURE TIN 2.54µm MIN. OVER NICKEL 1.27µm MIN.

GS2 : SELECT GOLD 0.38µm MIN. AND SELECT PURE TIN 2.54µm MIN. OVER NICKEL 1.27µm MIN.

HOUSING MATERIAL _____

"BLANK": NYLON 66, UL94V-2

210 : NYLON 66, UL94V-0

310 : G.F. 30% PCT, UL94V-0

400 : NYLON 66, UL94V-0, BLACK

COLOR OR PACKAGING _____

BL : BLACK RE : RED GR : GRAY

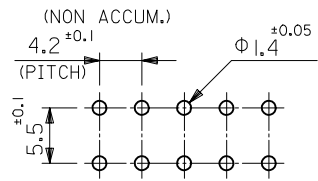
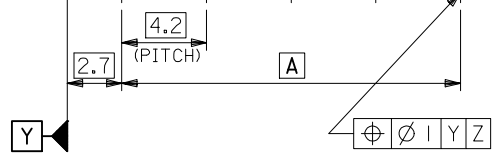
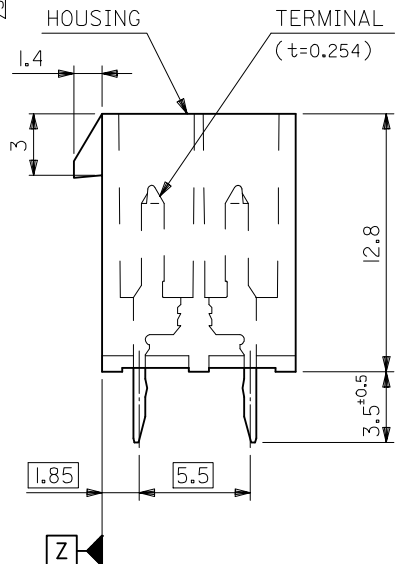
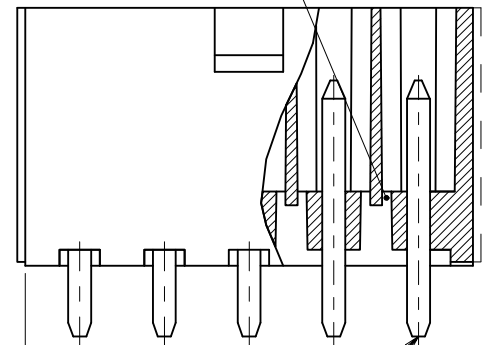
BU : BLUE YE : YELLOW GRE : GREEN

TA : TRAY PACKAGING FOR TRAYS (IN US)

5566-N***-*** MODEL NO.

EXTERNAL RIB APPEARS ON MX-USA PARTS ONLY.

DRAIN HOLES
(OPTION : SEE NOTE 2)



RECOMMENDED P.C. BOARD PATTERN
(SCALE 2:1)

| | | | | | | | |
|---------------------------------------------------------------------------------------------------------------------------|------------------------------------------------------|-----------------------|-----------------------------------|---------------------|---------------------------------------------------------------------------------|------------------------------------|----------------------------|
| ADD GREEN P/N EC NO: UCP2009-3020 DRWN:JBELL 2009/06/19 CHKD:SSOUSEK 2009/06/19 APPR:FSM/TH 2009/06/22 | GENERAL TOLERANCES (UNLESS SPECIFIED) | | DIMENSION STYLE MM ONLY | SCALE 1:1 | DESIGN UNITS METRIC | THIRD ANGLE PROJECTION | |
| | 10 UNDER ±0.2 | 10 OVER 30 UNDER ±0.3 | DRAWN BY H.HIRAMOTO | DATE '89/04/03 | TITLE NEW MINI FIT CONNECTOR HEADER HOUSING ASS'Y -LEAD FREE- | | |
| | 30 OVER ±0.4 | ANGULAR ±3 ° | CHECKED BY M.FUKUSHIMA | DATE '94/04/20 | MOLEX INCORPORATED | | |
| | DRAFT WHERE APPLICABLE MUST REMAIN WITHIN DIMENSIONS | | APPROVED BY M.FUKUSHIMA | DATE '94/04/20 | MATERIAL NO. SEE TABLE | DOCUMENT NO. SD-5566-002 | SHEET NO. 1 OF 6 |

THIS DRAWING CONTAINS INFORMATION THAT IS PROPRIETARY TO MOLEX INCORPORATED AND SHOULD NOT BE USED WITHOUT WRITTEN PERMISSION

| | 10 | 9 | 8 | 7 | 6 | 5 | 4 | 3 | 2 | 1 | |
|---------------|----------------|----------------|-----------------|-----------------|----------------|----------------|---------------|---------------|--------------|--------------|-----------|
| F | NOT TOOLED | 5566-24APB-3IO | NOT TOOLED | 5566-24AGS2-3IO | NOT TOOLED | 5566-24AGS-3IO | NOT TOOLED | 5566-24AS-3IO | NOT TOOLED | 5566-24A-3IO | 24 |
| | ↑ | ↑ -22APB-3IO | ↑ | ↑ -22AGS2-3IO | ↑ | ↑ -22AGS-3IO | ↑ | ↑ -22AS-3IO | ↑ | ↑ -22A-3IO | 22 |
| | | ↑ -20APB-3IO | | ↑ -20AGS2-3IO | | ↑ -20AGS-3IO | | ↑ -20AS-3IO | | ↑ -20A-3IO | 20 |
| | | ↑ -18APB-3IO | | ↑ -18AGS2-3IO | | ↑ -18AGS-3IO | | ↑ -18AS-3IO | | ↑ -18A-3IO | 18 |
| | | ↑ -16APB-3IO | | ↑ -16AGS2-3IO | | ↑ -16AGS-3IO | | ↑ -16AS-3IO | | ↑ -16A-3IO | 16 |
| | | ↑ -14APB-3IO | | ↑ -14AGS2-3IO | | ↑ -14AGS-3IO | | ↑ -14AS-3IO | | ↑ -14A-3IO | 14 |
| | | ↑ -12APB-3IO | | ↑ -12AGS2-3IO | | ↑ -12AGS-3IO | | ↑ -12AS-3IO | | ↑ -12A-3IO | 12 |
| | | ↑ -10APB-3IO | | ↑ -10AGS2-3IO | | ↑ -10AGS-3IO | | ↑ -10AS-3IO | | ↑ -10A-3IO | 10 |
| | | ↑ -08APB-3IO | | ↑ -08AGS2-3IO | | ↑ -08AGS-3IO | | ↑ -08AS-3IO | | ↑ -08A-3IO | 8 |
| | | ↑ -06APB-3IO | | ↑ -06AGS2-3IO | | ↑ -06AGS-3IO | | ↑ -06AS-3IO | | ↑ -06A-3IO | 6 |
| | ↓ -04APB-3IO | | ↓ -04AGS2-3IO | | ↓ -04AGS-3IO | | ↓ -04AS-3IO | | ↓ -04A-3IO | 4 | |
| E | NOT TOOLED | 5566-02APB-3IO | NOT TOOLED | 5566-02AGS2-3IO | NOT TOOLED | 5566-02AGS-3IO | NOT TOOLED | 5566-02AS-3IO | NOT TOOLED | 5566-02A-3IO | 2 |
| | EDP NO. | ENG. NO. | EDP NO. | ENG. NO. | EDP NO. | ENG. NO. | EDP NO. | ENG. NO. | EDP NO. | ENG. NO. | CKT. SIZE |
| | 5566-NAPB-3IO | | 5566-NAGS2-3IO | | 5566-NAGS-3IO | | 5566-NAS-3IO | | 5566-NA-3IO | | |
| | 39-29-5247 | 5566-24APB-2IO | 39-30-9245 | 5566-24AGS2-2IO | 39-29-6248 | 5566-24AGS-2IO | 39-30-6242 | 5566-24AS-2IO | 39-28-8240 | 5566-24A-2IO | 24 |
| | ↑ -5227 | ↑ -22APB-2IO | ↑ -9225 | ↑ -22AGS2-2IO | ↑ -6228 | ↑ -22AGS-2IO | ↑ -6222 | ↑ -22AS-2IO | ↑ -8220 | ↑ -22A-2IO | 22 |
| | ↑ -5207 | ↑ -20APB-2IO | ↑ -9205 | ↑ -20AGS2-2IO | ↑ -6208 | ↑ -20AGS-2IO | ↑ -6202 | ↑ -20AS-2IO | ↑ -8200 | ↑ -20A-2IO | 20 |
| | ↑ -5187 | ↑ -18APB-2IO | ↑ -9185 | ↑ -18AGS2-2IO | ↑ -6188 | ↑ -18AGS-2IO | ↑ -6182 | ↑ -18AS-2IO | ↑ -8180 | ↑ -18A-2IO | 18 |
| | ↑ -5167 | ↑ -16APB-2IO | ↑ -9165 | ↑ -16AGS2-2IO | ↑ -6168 | ↑ -16AGS-2IO | ↑ -6162 | ↑ -16AS-2IO | ↑ -8160 | ↑ -16A-2IO | 16 |
| | ↑ -5147 | ↑ -14APB-2IO | ↑ -9145 | ↑ -14AGS2-2IO | ↑ -6148 | ↑ -14AGS-2IO | ↑ -6142 | ↑ -14AS-2IO | ↑ -8140 | ↑ -14A-2IO | 14 |
| | ↑ -5127 | ↑ -12APB-2IO | ↑ -9125 | ↑ -12AGS2-2IO | ↑ -6128 | ↑ -12AGS-2IO | ↑ -6122 | ↑ -12AS-2IO | ↑ -8120 | ↑ -12A-2IO | 12 |
| ↑ -5107 | ↑ -10APB-2IO | ↑ -9105 | ↑ -10AGS2-2IO | ↑ -6108 | ↑ -10AGS-2IO | ↑ -6102 | ↑ -10AS-2IO | ↑ -8100 | ↑ -10A-2IO | 10 | |
| ↑ -5087 | ↑ -08APB-2IO | ↑ -9085 | ↑ -08AGS2-2IO | ↑ -6088 | ↑ -08AGS-2IO | ↑ -6082 | ↑ -08AS-2IO | ↑ -8080 | ↑ -08A-2IO | 8 | |
| ↑ -5067 | ↑ -06APB-2IO | ↑ -9065 | ↑ -06AGS2-2IO | ↑ -6068 | ↑ -06AGS-2IO | ↑ -6062 | ↑ -06AS-2IO | ↑ -8060 | ↑ -06A-2IO | 6 | |
| ↓ -5047 | ↓ -04APB-2IO | ↓ -9045 | ↓ -04AGS2-2IO | ↓ -6048 | ↓ -04AGS-2IO | ↓ -6042 | ↓ -04AS-2IO | ↓ -8040 | ↓ -04A-2IO | 4 | |
| 39-29-5027 | 5566-02APB-2IO | 39-30-9025 | 5566-02AGS2-2IO | 39-29-6028 | 5566-02AGS-2IO | 39-30-6022 | 5566-02AS-2IO | 39-28-8020 | 5566-02A-2IO | 2 | |
| EDP NO. | ENG. NO. | EDP NO. | ENG. NO. | EDP NO. | ENG. NO. | EDP NO. | ENG. NO. | EDP NO. | ENG. NO. | CKT. SIZE | |
| 5566-NAPB-2IO | | 5566-NAGS2-2IO | | 5566-NAGS-2IO | | 5566-NAS-2IO | | 5566-NA-2IO | | | |
| 39-29-5246 | 5566-24APB | 39-30-9244 | 5566-24AGS2 | 39-29-0243 | 5566-24AGS | 39-30-6241 | 5566-24AS | 39-28-1243 | 5566-24A | 24 | |
| ↑ -5226 | ↑ -22APB | ↑ -9224 | ↑ -22AGS2 | ↑ -0223 | ↑ -22AGS | ↑ -6221 | ↑ -22AS | ↑ -1223 | ↑ -22A | 22 | |
| ↑ -5206 | ↑ -20APB | ↑ -9204 | ↑ -20AGS2 | ↑ -0203 | ↑ -20AGS | ↑ -6201 | ↑ -20AS | ↑ -1203 | ↑ -20A | 20 | |
| ↑ -5186 | ↑ -18APB | ↑ -9184 | ↑ -18AGS2 | ↑ -0183 | ↑ -18AGS | ↑ -6181 | ↑ -18AS | ↑ -1183 | ↑ -18A | 18 | |
| ↑ -5166 | ↑ -16APB | ↑ -9164 | ↑ -16AGS2 | ↑ -0163 | ↑ -16AGS | ↑ -6161 | ↑ -16AS | ↑ -1163 | ↑ -16A | 16 | |
| ↑ -5146 | ↑ -14APB | ↑ -9144 | ↑ -14AGS2 | ↑ -0143 | ↑ -14AGS | ↑ -6141 | ↑ -14AS | ↑ -1143 | ↑ -14A | 14 | |
| ↑ -5126 | ↑ -12APB | ↑ -9124 | ↑ -12AGS2 | ↑ -0123 | ↑ -12AGS | ↑ -6121 | ↑ -12AS | ↑ -1123 | ↑ -12A | 12 | |
| ↑ -5106 | ↑ -10APB | ↑ -9104 | ↑ -10AGS2 | ↑ -0103 | ↑ -10AGS | ↑ -6101 | ↑ -10AS | ↑ -1103 | ↑ -10A | 10 | |
| ↑ -5086 | ↑ -08APB | ↑ -9084 | ↑ -08AGS2 | ↑ -0083 | ↑ -08AGS | ↑ -6081 | ↑ -08AS | ↑ -1083 | ↑ -08A | 8 | |
| ↑ -5066 | ↑ -06APB | ↑ -9064 | ↑ -06AGS2 | ↑ -0063 | ↑ -06AGS | ↑ -6061 | ↑ -06AS | ↑ -1063 | ↑ -06A | 6 | |
| ↓ -5046 | ↓ -04APB | ↓ -9044 | ↓ -04AGS2 | ↓ -0043 | ↓ -04AGS | ↓ -6041 | ↓ -04AS | ↓ -1043 | ↓ -04A | 4 | |
| 39-29-5026 | 5566-02APB | 39-30-9024 | 5566-02AGS2 | 39-29-0023 | 5566-02AGS | 39-30-6021 | 5566-02AS | 39-28-1023 | 5566-02A | 2 | |
| EDP NO. | ENG. NO. | EDP NO. | ENG. NO. | EDP NO. | ENG. NO. | EDP NO. | ENG. NO. | EDP NO. | ENG. NO. | CKT. SIZE | |
| 5566-NAPB | | 5566-NAGS2 | | 5566-NAGS | | 5566-NAS | | 5566-NA | | | |

| | | | | | | | | | |
|--------------------------------------------------------------------------------------------------------------|-------------|---------------------------------------|---------|----------------------------------------------------------------------------------------------------------------------------------|-------------------|------------------------------------------------------------------------|------------------------|------------------------|--|
| REVISED EC NO: J2007-2529 DRW:KSAI T001 2007/03/07 CHK:KTOY00A 2007/03/09 APPR:NUKITA 2007/03/12 | DESCRIPTION | GENERAL TOLERANCES (UNLESS SPECIFIED) | | DIMENSION STYLE MM ONLY | | SCALE --- | DESIGN UNITS METRIC | THIRD ANGLE PROJECTION | |
| | | 10 UNDER | ± --- | DRAWN BY H.HIRAMOTO | DATE '89/04/03 | TITLE NEW MINI FIT CONNECTOR HEADER HOUSING ASS'Y -LEAD FREE- | | | |
| | | 10 OVER 30 UNDER | ± --- | CHECKED BY M.FUKUSHIMA | DATE '94/04/20 | MOLEX INCORPORATED | | | |
| | | 30 OVER | ± --- | APPROVED BY M.FUKUSHIMA | DATE '94/04/20 | | | | |
| | | ANGULAR | ± --- ° | MATERIAL NO. SEE TABLE | | DOCUMENT NO. SD-5566-002 | | SHEET NO. 2 OF 6 | |
| DRAFT WHERE APPLICABLE MUST REMAIN WITHIN DIMENSIONS | | SIZE A3 | | THIS DRAWING CONTAINS INFORMATION THAT IS PROPRIETARY TO MOLEX INCORPORATED AND SHOULD NOT BE USED WITHOUT WRITTEN PERMISSION | | | | | |

| | 10 | 9 | 8 | 7 | 6 | 5 | 4 | 3 | 2 | 1 | |
|----------------|-----------------|-----------------|----------------|----------------|---------------|---------------|--------------|----------------|-----------------|-----------------|-----------|
| F | NOT TOOLED | 5566-24BGS2-310 | NOT TOOLED | 5566-24BGS-310 | NOT TOOLED | 5566-24BS-310 | NOT TOOLED | 5566-24B-310 | NOT TOOLED | 5566-24APBS-310 | 24 |
| | ↑ | ↑ -22BGS2-310 | ↑ | ↑ -22BGS-310 | ↑ | ↑ -22BS-310 | ↑ | ↑ -22B-310 | ↑ | ↑ -22APBS-310 | 22 |
| | | ↑ -20BGS2-310 | | ↑ -20BGS-310 | | ↑ -20BS-310 | | ↑ -20B-310 | | ↑ -20APBS-310 | 20 |
| | | ↑ -18BGS2-310 | | ↑ -18BGS-310 | | ↑ -18BS-310 | | ↑ -18B-310 | | ↑ -18APBS-310 | 18 |
| | | ↑ -16BGS2-310 | | ↑ -16BGS-310 | | ↑ -16BS-310 | | ↑ -16B-310 | | ↑ -16APBS-310 | 16 |
| | | ↑ -14BGS2-310 | | ↑ -14BGS-310 | | ↑ -14BS-310 | | ↑ -14B-310 | | ↑ -14APBS-310 | 14 |
| | | ↑ -12BGS2-310 | | ↑ -12BGS-310 | | ↑ -12BS-310 | | ↑ -12B-310 | | ↑ -12APBS-310 | 12 |
| | | ↑ -10BGS2-310 | | ↑ -10BGS-310 | | ↑ -10BS-310 | | ↑ -10B-310 | | ↑ -10APBS-310 | 10 |
| | | ↑ -08BGS2-310 | | ↑ -08BGS-310 | | ↑ -08BS-310 | | ↑ -08B-310 | | ↑ -08APBS-310 | 8 |
| | | ↑ -06BGS2-310 | | ↑ -06BGS-310 | | ↑ -06BS-310 | | ↑ -06B-310 | | ↑ -06APBS-310 | 6 |
| | ↓ -04BGS2-310 | | ↓ -04BGS-310 | | ↓ -04BS-310 | | ↓ -04B-310 | | ↓ -04APBS-310 | 4 | |
| E | NOT TOOLED | 5566-02BGS2-310 | NOT TOOLED | 5566-02BGS-310 | NOT TOOLED | 5566-02BS-310 | NOT TOOLED | 5566-02B-310 | NOT TOOLED | 5566-02APBS-310 | 2 |
| | EDP NO. | ENG. NO. | EDP NO. | ENG. NO. | EDP NO. | ENG. NO. | EDP NO. | ENG. NO. | EDP NO. | ENG. NO. | CKT. SIZE |
| | 5566-NBGS2-310 | | 5566-NBGS-310 | | 5566-NBS-310 | | 5566-NB-310 | | 5566-NAPBS-310 | | |
| | 39-30-9247 | 5566-24BGS2-210 | 39-31-0248 | 5566-24BGS-210 | 39-31-0242 | 5566-24BS-210 | 39-31-0240 | 5566-24B-210 | 39-30-6244 | 5566-24APBS-210 | 24 |
| | ↑ -9227 | ↑ -22BGS2-210 | ↑ -0228 | ↑ -22BGS-210 | ↑ -0222 | ↑ -22BS-210 | ↑ -0220 | ↑ -22B-210 | ↑ -6224 | ↑ -22APBS-210 | 22 |
| | ↑ -9207 | ↑ -20BGS2-210 | ↑ -0208 | ↑ -20BGS-210 | ↑ -0202 | ↑ -20BS-210 | ↑ -0200 | ↑ -20B-210 | ↑ -6204 | ↑ -20APBS-210 | 20 |
| | ↑ -9187 | ↑ -18BGS2-210 | ↑ -0188 | ↑ -18BGS-210 | ↑ -0182 | ↑ -18BS-210 | ↑ -0180 | ↑ -18B-210 | ↑ -6184 | ↑ -18APBS-210 | 18 |
| | ↑ -9167 | ↑ -16BGS2-210 | ↑ -0168 | ↑ -16BGS-210 | ↑ -0162 | ↑ -16BS-210 | ↑ -0160 | ↑ -16B-210 | ↑ -6164 | ↑ -16APBS-210 | 16 |
| | ↑ -9147 | ↑ -14BGS2-210 | ↑ -0148 | ↑ -14BGS-210 | ↑ -0142 | ↑ -14BS-210 | ↑ -0140 | ↑ -14B-210 | ↑ -6144 | ↑ -14APBS-210 | 14 |
| | ↑ -9127 | ↑ -12BGS2-210 | ↑ -0128 | ↑ -12BGS-210 | ↑ -0122 | ↑ -12BS-210 | ↑ -0120 | ↑ -12B-210 | ↑ -6124 | ↑ -12APBS-210 | 12 |
| ↑ -9107 | ↑ -10BGS2-210 | ↑ -0108 | ↑ -10BGS-210 | ↑ -0102 | ↑ -10BS-210 | ↑ -0100 | ↑ -10B-210 | ↑ -6104 | ↑ -10APBS-210 | 10 | |
| ↑ -9087 | ↑ -08BGS2-210 | ↑ -0088 | ↑ -08BGS-210 | ↑ -0082 | ↑ -08BS-210 | ↑ -0080 | ↑ -08B-210 | ↑ -6084 | ↑ -08APBS-210 | 8 | |
| ↑ -9067 | ↑ -06BGS2-210 | ↑ -0068 | ↑ -06BGS-210 | ↑ -0062 | ↑ -06BS-210 | ↑ -0060 | ↑ -06B-210 | ↑ -6064 | ↑ -06APBS-210 | 6 | |
| ↓ -9047 | ↓ -04BGS2-210 | ↓ -0048 | ↓ -04BGS-210 | ↓ -0042 | ↓ -04BS-210 | ↓ -0040 | ↓ -04B-210 | ↓ -6044 | ↓ -04APBS-210 | 4 | |
| 39-30-9027 | 5566-02BGS2-210 | 39-31-0028 | 5566-02BGS-210 | 39-31-0022 | 5566-02BS-210 | 39-31-0020 | 5566-02B-210 | 39-30-6024 | 5566-02APBS-210 | 2 | |
| EDP NO. | ENG. NO. | EDP NO. | ENG. NO. | EDP NO. | ENG. NO. | EDP NO. | ENG. NO. | EDP NO. | ENG. NO. | CKT. SIZE | |
| 5566-NBGS2-210 | | 5566-NBGS-210 | | 5566-NBS-210 | | 5566-NB-210 | | 5566-NAPBS-210 | | | |
| 39-30-9246 | 5566-24BGS2 | 39-31-0247 | 5566-24BGS | 39-31-0241 | 5566-24BS | 39-29-3246 | 5566-24B | 39-30-6243 | 5566-24APBS | 24 | |
| ↑ -9226 | ↑ -22BGS2 | ↑ -0227 | ↑ -22BGS | ↑ -0221 | ↑ -22BS | ↑ -3226 | ↑ -22B | ↑ -6223 | ↑ -22APBS | 22 | |
| ↑ -9206 | ↑ -20BGS2 | ↑ -0207 | ↑ -20BGS | ↑ -0201 | ↑ -20BS | ↑ -3206 | ↑ -20B | ↑ -6203 | ↑ -20APBS | 20 | |
| ↑ -9186 | ↑ -18BGS2 | ↑ -0187 | ↑ -18BGS | ↑ -0181 | ↑ -18BS | ↑ -3186 | ↑ -18B | ↑ -6183 | ↑ -18APBS | 18 | |
| ↑ -9166 | ↑ -16BGS2 | ↑ -0164 | ↑ -16BGS | ↑ -0161 | ↑ -16BS | ↑ -3166 | ↑ -16B | ↑ -6163 | ↑ -16APBS | 16 | |
| ↑ -9146 | ↑ -14BGS2 | ↑ -0147 | ↑ -14BGS | ↑ -0141 | ↑ -14BS | ↑ -3146 | ↑ -14B | ↑ -6143 | ↑ -14APBS | 14 | |
| ↑ -9126 | ↑ -12BGS2 | ↑ -0127 | ↑ -12BGS | ↑ -0121 | ↑ -12BS | ↑ -3126 | ↑ -12B | ↑ -6123 | ↑ -12APBS | 12 | |
| ↑ -9106 | ↑ -10BGS2 | ↑ -0107 | ↑ -10BGS | ↑ -0101 | ↑ -10BS | ↑ -3106 | ↑ -10B | ↑ -6103 | ↑ -10APBS | 10 | |
| ↑ -9086 | ↑ -08BGS2 | ↑ -0087 | ↑ -08BGS | ↑ -0081 | ↑ -08BS | ↑ -3086 | ↑ -08B | ↑ -6083 | ↑ -08APBS | 8 | |
| ↑ -9066 | ↑ -06BGS2 | ↑ -0067 | ↑ -06BGS | ↑ -0061 | ↑ -06BS | ↑ -3066 | ↑ -06B | ↑ -6063 | ↑ -06APBS | 6 | |
| ↓ -9046 | ↓ -04BGS2 | ↓ -0047 | ↓ -04BGS | ↓ -0041 | ↓ -04BS | ↓ -3046 | ↓ -04B | ↓ -6043 | ↓ -04APBS | 4 | |
| 39-30-9026 | 5566-02BGS2 | 39-31-0027 | 5566-02BGS | 39-31-0021 | 5566-02BS | 39-29-3026 | 5566-02B | 39-30-6023 | 5566-02APBS | 2 | |
| EDP NO. | ENG. NO. | EDP NO. | ENG. NO. | EDP NO. | ENG. NO. | EDP NO. | ENG. NO. | EDP NO. | ENG. NO. | CKT. SIZE | |
| 5566-NBGS2 | | 5566-NBGS | | 5566-NBS | | 5566-NB | | 5566-NAPBS | | | |

| | | | | | | | | |
|---------------------------------------------------------------------------------------------------------------------|------------------------------------------|------------|-----------------------------|----------------------------------------------------------------------------------------------------------------------------------|------------------------------------------------------------------------|------------------------|---------------------------|--|
| REVISED EC NO: J2007-2529 DRW:KSAI T001 2007/03/07 CHK:KATOY00A 2007/03/09 APP:NUKITA 2007/03/12 REV | GENERAL TOLERANCES (UNLESS SPECIFIED) | | DIMENSION STYLE MM ONLY | | SCALE --- | DESIGN UNITS METRIC | THIRD ANGLE PROJECTION | |
| | 10 UNDER | ± --- | DRAWN BY H. HIRAMOTO | DATE '89/04/03 | TITLE NEW MINI FIT CONNECTOR HEADER HOUSING ASS'Y -LEAD FREE- | | | |
| | 10 OVER 30 UNDER | ± --- | CHECKED BY M. FUKUSHIMA | DATE '94/04/20 | MOLEX INCORPORATED | | | |
| | 30 OVER | ± --- | APPROVED BY M. FUKUSHIMA | DATE '94/04/20 | DOCUMENT NO. SD-5566-002 | | SHEET NO. 3 OF 6 | |
| | ANGULAR | ± --- ° | MATERIAL NO. SEE TABLE | | | | | |
| DRAFT WHERE APPLICABLE MUST REMAIN WITHIN DIMENSIONS | | SIZE A3 | | THIS DRAWING CONTAINS INFORMATION THAT IS PROPRIETARY TO MOLEX INCORPORATED AND SHOULD NOT BE USED WITHOUT WRITTEN PERMISSION | | | | |

10 9 8 7 6 5 4 3 2 1

F

E

D

C

B

A


| | | | | |
|------------|------------------|------------|-----------------|----|
| NOT TOOLED | 5566-24BPBS-3 IO | NOT TOOLED | 5566-24BPB-3 IO | 24 |
| ▲ | ▲ -22BPBS-3 IO | ▲ | ▲ -22BPB-3 IO | 22 |
| | -20BPBS-3 IO | | -20BPB-3 IO | 20 |
| | -18BPBS-3 IO | | -18BPB-3 IO | 18 |
| | -16BPBS-3 IO | | -16BPB-3 IO | 16 |
| | -14BPBS-3 IO | | -14BPB-3 IO | 14 |
| | -12BPBS-3 IO | | -12BPB-3 IO | 12 |
| | -10BPBS-3 IO | | -10BPB-3 IO | 10 |
| | -08BPBS-3 IO | | -08BPB-3 IO | 8 |
| | -06BPBS-3 IO | | -06BPB-3 IO | 6 |
| ▼ | ▼ -04BPBS-3 IO | ▼ | ▼ -04BPB-3 IO | 4 |

| | | | | |
|-----------------|------------------|----------------|-----------------|-----------|
| NOT TOOLED | 5566-02BPBS-3 IO | NOT TOOLED | 5566-02BPB-3 IO | 2 |
| EDP NO. | ENG. NO. | EDP NO. | ENG. NO. | CKT. SIZE |
| 5566-NBPBS-3 IO | | 5566-NBPB-3 IO | | |
| 39-31-0246 | 5566-24BPBS-2 IO | 39-31-0244 | 5566-24BPB-2 IO | 24 |
| ▲ -0226 | ▲ -22BPBS-2 IO | ▲ -0224 | ▲ -22BPB-2 IO | 22 |
| -0206 | -20BPBS-2 IO | -0204 | -20BPB-2 IO | 20 |
| -0186 | -18BPBS-2 IO | -0184 | -18BPB-2 IO | 18 |
| -0166 | -16BPBS-2 IO | -0164 | -16BPB-2 IO | 16 |
| -0146 | -14BPBS-2 IO | -0144 | -14BPB-2 IO | 14 |
| -0126 | -12BPBS-2 IO | -0124 | -12BPB-2 IO | 12 |
| -0106 | -10BPBS-2 IO | -0104 | -10BPB-2 IO | 10 |
| -0086 | -08BPBS-2 IO | -0084 | -08BPB-2 IO | 8 |
| -0066 | -06BPBS-2 IO | -0064 | -06BPB-2 IO | 6 |
| -0046 | -04BPBS-2 IO | -0044 | -04BPB-2 IO | 4 |
| ▼ | ▼ -04BPBS-2 IO | ▼ | ▼ -04BPB-2 IO | 4 |
| 39-31-0026 | 5566-02BPBS-2 IO | 39-31-0024 | 5566-02BPB-2 IO | 2 |
| EDP NO. | ENG. NO. | EDP NO. | ENG. NO. | CKT. SIZE |
| 5566-NBPBS-2 IO | | 5566-NBPB-2 IO | | |

| | | | | | | |
|-------------|--------------|------------|-------------|------------|------------|-----------|
| 39-35-0248 | 5566-24A-400 | 39-31-0245 | 5566-24BPBS | 39-31-0243 | 5566-24BPB | 24 |
| ▲ -0228 | ▲ -22A-400 | ▲ -0225 | ▲ -22BPBS | ▲ -0223 | ▲ -22BPB | 22 |
| -0208 | -20A-400 | -0205 | -20BPBS | -0203 | -20BPB | 20 |
| -0188 | -18A-400 | -0185 | -18BPBS | -0183 | -18BPB | 18 |
| -0168 | -16A-400 | -0165 | -16BPBS | -0163 | -16BPB | 16 |
| -0148 | -14A-400 | -0145 | -14BPBS | -0143 | -14BPB | 14 |
| -0128 | -12A-400 | -0125 | -12BPBS | -0123 | -12BPB | 12 |
| -0108 | -10A-400 | -0105 | -10BPBS | -0103 | -10BPB | 10 |
| -0088 | -08A-400 | -0085 | -08BPBS | -0083 | -08BPB | 8 |
| -0068 | -06A-400 | -0065 | -06BPBS | -0063 | -06BPB | 6 |
| -0048 | -04A-400 | -0045 | -04BPBS | -0043 | -04BPB | 4 |
| ▼ | ▼ -04A-400 | ▼ | ▼ -04BPBS | ▼ | ▼ -04BPB | 4 |
| 39-35-0028 | 5566-02A-400 | 39-31-0025 | 5566-02BPBS | 39-31-0023 | 5566-02BPB | 2 |
| EDP NO. | ENG. NO. | EDP NO. | ENG. NO. | EDP NO. | ENG. NO. | CKT. SIZE |
| 5566-NA-400 | | 5566-NBPBS | | 5566-NBPB | | |

| | | | | | | | | |
|------------------------------------------------------------------------------------------------------------------|---------------------------------------|------------|----------------------------------------------------------------------------------------------------------------------------------|-----------------------------|------------------------------------------------------------------------|------------------------|------------------------|--|
| REVISED EC NO: J2007-2529 DRWNG: SAITO01 2007/03/07 CHKDK: TOYODA 2007/03/09 APPR: NUKITA 2007/03/12 | GENERAL TOLERANCES (UNLESS SPECIFIED) | | DIMENSION STYLE MM ONLY | | SCALE --- | DESIGN UNITS METRIC | THIRD ANGLE PROJECTION | |
| | 10 UNDER | ± --- | DRAWN BY H. HIRAMOTO | DATE '89/04/03 | TITLE NEW MINI FIT CONNECTOR HEADER HOUSING ASS'Y -LEAD FREE- | | | |
| | 10 OVER 30 UNDER | ± --- | CHECKED BY M. FUKUSHIMA | DATE '94/04/20 | | | | |
| | 30 OVER | ± --- | APPROVED BY M. FUKUSHIMA | DATE '94/04/20 | MOLEX INCORPORATED | | | |
| | ANGULAR | ± --- ° | MATERIAL NO. | DOCUMENT NO. SD-5566-002 | | | | |
| DRAFT WHERE APPLICABLE MUST REMAIN WITHIN DIMENSIONS | | SIZE A3 | THIS DRAWING CONTAINS INFORMATION THAT IS PROPRIETARY TO MOLEX INCORPORATED AND SHOULD NOT BE USED WITHOUT WRITTEN PERMISSION | | | | | |

| | | | | | | | | | | |
|--------------|---------------|----------------|-----------------|----------------|-----------------|----------------|-----------------|----------------|-----------------|-----------|
| | | | | | | | | | | 24 |
| | | | | | | | | | | 22 |
| | | | | | | | | | | 20 |
| | | | | | | | | | | 18 |
| | | | | | | 39-33-3169 | 5566-16A-210-BU | 39-33-3168 | 5566-16A-210-BL | 16 |
| | | | | | | | | | | 14 |
| | | | | | | | | | | 12 |
| | | | | 39-33-4100 | 5566-10A-210-RE | 39-33-3109 | 5566-10A-210-BU | 39-33-3108 | 5566-10A-210-BL | 10 |
| | | | | | | | | 39-33-3088 | 5566-08A-210-BL | 8 |
| | | | | | | | | | | 6 |
| | | | | 39-33-4040 | 5566-04A-210-RE | 39-33-3049 | 5566-04A-210-BU | | | 4 |
| 50-36-2485 | 5566-02AS-GRE | 39-34-5023 | 5566-02A-210-YE | 39-33-4020 | 5566-02A-210-RE | 39-33-3029 | 5566-02A-210-BU | 39-33-3028 | 5566-02A-210-BL | 2 |
| EDP. NO. | ENG. NO. | EDP. NO. | ENG. NO. | EDP. NO. | ENG. NO. | EDP. NO. | ENG. NO. | EDP. NO. | ENG. NO. | CKT. SIZE |
| 5566-NAS-GRE | | 5566-NA-210-YE | | 5566-NA-210-RE | | 5566-NA-210-BU | | 5566-NA-210-BL | | |
| | | | | | | | | | | 24 |
| | | | | | | | | | | 22 |
| | | | | | | | | | | 20 |
| | | | | | | | | | | 18 |
| | | | | 39-33-3166 | 5566-16A-RE | 39-33-3164 | 5566-16A-BU | | | 16 |
| 39-33-3145 | 5566-14A-GR | | | | | | | 39-33-3143 | 5566-14A-BL | 14 |
| | | | | 39-33-3126 | 5566-12A-RE | 39-33-3124 | 5566-12A-BU | | | 12 |
| | | | | 39-33-3106 | 5566-10A-RE | 39-33-3104 | 5566-10A-BU | | | 10 |
| | | 39-33-3087 | 5566-08A-YE | 39-33-3086 | 5566-08A-RE | 39-33-3084 | 5566-08A-BU | 39-33-3083 | 5566-08A-BL | 8 |
| | | 39-33-3067 | 5566-06A-YE | 39-33-3066 | 5566-06A-RE | 39-33-3064 | 5566-06A-BU | 39-33-3063 | 5566-06A-BL | 6 |
| | | | | 39-33-3046 | 5566-04A-RE | 39-33-3044 | 5566-04A-BU | 39-33-3043 | 5566-04A-BL | 4 |
| | | 39-33-3027 | 5566-02A-YE | 39-33-3026 | 5566-02A-RE | 39-33-3024 | 5566-02A-BU | 39-33-3023 | 5566-02A-BL | 2 |
| EDP. NO. | ENG. NO. | EDP. NO. | ENG. NO. | EDP. NO. | ENG. NO. | EDP. NO. | ENG. NO. | EDP. NO. | ENG. NO. | CKT. SIZE |
| 5566-NA-GR | | 5566-NA-YE | | 5566-NA-RE | | 5566-NA-BU | | 5566-NA-BL | | |

| | | | | | | | | |
|------------------------------------------------------------------------------------------------------------------|---------------------------------------|-------------------|-----------------------------------|-------------------------------------------------------------------------------------------------------------------------------|-----------------------------------------------------------------------------------------------------------------|-------------------------------|------------------------|--|
| SEE SHEET 1 EC NO: UCP2009-3020 DRWN:JBELL 2009/06/19 CHKD:MKIPPER 2009/06/19 APPR:FSM/TH 2009/06/22 | GENERAL TOLERANCES (UNLESS SPECIFIED) | | DIMENSION STYLE MM ONLY | | SCALE 1:1 | DESIGN UNITS METRIC | THIRD ANGLE PROJECTION | |
| | 10 UNDER | ± --- | DRAWN BY H.HIRAMOTO | DATE '89/04/03 | TITLE NEW MINI FIT CONNECTOR HEADER HOUSING ASS'Y -LEAD FREE- | | | |
| | 10 OVER 30 UNDER | ± --- | CHECKED BY M.FUKUSHIMA | DATE '94/04/20 | | | | |
| | 30 OVER | ± --- | APPROVED BY M.FUKUSHIMA | DATE '94/04/20 |  MOLEX INCORPORATED | | | |
| ANGULAR ± --- ° | | MATERIAL NO. | DOCUMENT NO. | SHEET NO. | | | | |
| DRAFT WHERE APPLICABLE MUST REMAIN WITHIN DIMENSIONS | | SEE TABLE | | SD-5566-002 | | 5 OF 6 | | |
| | | SIZE A3 | | THIS DRAWING CONTAINS INFORMATION THAT IS PROPRIETARY TO MOLEX INCORPORATED AND SHOULD NOT BE USED WITHOUT WRITTEN PERMISSION | | | | |

10 9 8 7 6 5 4 3 2 1

F

E

D

C

B

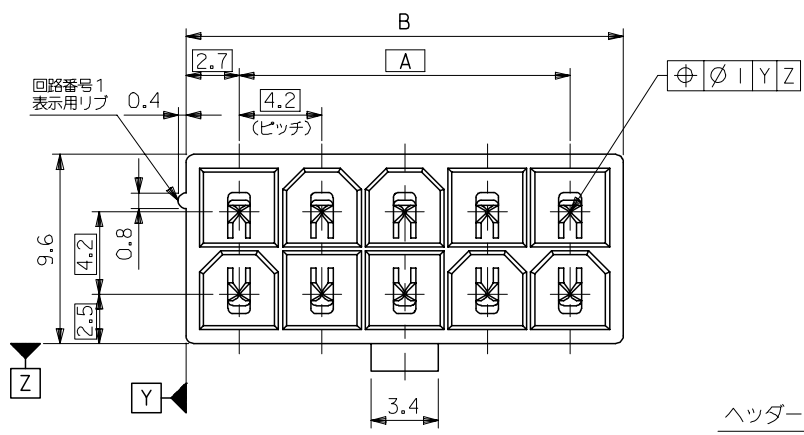
A

| | | | | | | | | |
|------------------|-------------------|----------------|-----------------|--------------|---------------|------------|-------------|-----------|
| 39-54-0245 | 5566-24BGS-210-TA | 39-54-0244 | 5566-24B-210-TA | 39-54-0243 | 5566-24BGS-TA | 39-54-0242 | 5566-24B-TA | 24 |
| ▲ -0225 | ▲ -22BGS-210-TA | ▲ -0224 | ▲ -22B-210-TA | ▲ -0223 | ▲ -22BGS-TA | ▲ -0222 | ▲ -22B-TA | 22 |
| -0205 | -20BGS-210-TA | -0204 | -20B-210-TA | -0203 | -20BGS-TA | -0202 | -20B-TA | 20 |
| -0185 | -18BGS-210-TA | -0184 | -18B-210-TA | -0183 | -18BGS-TA | -0182 | -18B-TA | 18 |
| -0165 | -16BGS-210-TA | -0164 | -16B-210-TA | -0163 | -16BGS-TA | -0162 | -16B-TA | 16 |
| -0145 | -14BGS-210-TA | -0144 | -14B-210-TA | -0143 | -14BGS-TA | -0142 | -14B-TA | 14 |
| -0125 | -12BGS-210-TA | -0124 | -12B-210-TA | -0123 | -12BGS-TA | -0122 | -12B-TA | 12 |
| -0105 | -10BGS-210-TA | -0104 | -10B-210-TA | -0103 | -10BGS-TA | -0102 | -10B-TA | 10 |
| -0085 | -08BGS-210-TA | -0084 | -08B-210-TA | -0083 | -08BGS-TA | -0082 | -08B-TA | 8 |
| -0065 | -06BGS-210-TA | -0064 | -06B-210-TA | -0063 | -06BGS-TA | -0062 | -06B-TA | 6 |
| ▼ -0045 | ▼ -04BGS-210-TA | ▼ -0044 | ▼ -04B-210-TA | ▼ -0043 | ▼ -04BGS-TA | ▼ -0042 | ▼ -04B-TA | 4 |
| 39-54-0025 | 5566-02BGS-210-TA | 39-54-0024 | 5566-02B-210-TA | 39-54-0023 | 5566-02BGS-TA | 39-54-0022 | 5566-02B-TA | 2 |
| EDP NO. | ENG. NO. | EDP NO. | ENG. NO. | EDP NO. | ENG. NO. | EDP NO. | ENG. NO. | CKT. SIZE |
| 5566-NBGS-210-TA | | 5566-NB-210-TA | | 5566-NBGS-TA | | 5566-NB-TA | | |

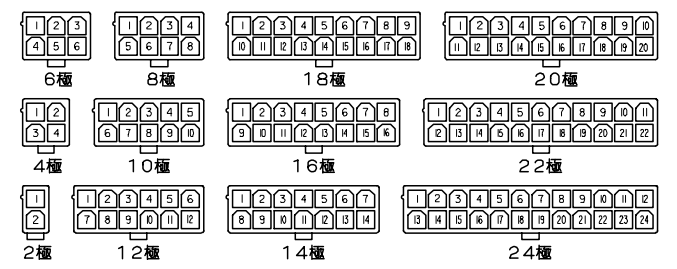
| | | | | | | | | |
|------------------|-------------------|--------------|---------------|----------------|-----------------|------------|-------------|-----------|
| 39-54-0241 | 5566-24AGS-210-TA | 39-54-0240 | 5566-24AGS-TA | 39-53-9249 | 5566-24A-210-TA | 39-53-9248 | 5566-24A-TA | 24 |
| ▲ -0221 | ▲ -22AGS-210-TA | ▲ -0220 | ▲ -22AGS-TA | ▲ -9229 | ▲ -22A-210-TA | ▲ -9228 | ▲ -22A-TA | 22 |
| -0201 | -20AGS-210-TA | -0200 | -20AGS-TA | -9209 | -20A-210-TA | -9208 | -20A-TA | 20 |
| -0181 | -18AGS-210-TA | -0180 | -18AGS-TA | -9189 | -18A-210-TA | -9188 | -18A-TA | 18 |
| -0161 | -16AGS-210-TA | -0160 | -16AGS-TA | -9169 | -16A-210-TA | -9168 | -16A-TA | 16 |
| -0141 | -14AGS-210-TA | -0140 | -14AGS-TA | -9149 | -14A-210-TA | -9148 | -14A-TA | 14 |
| -0121 | -12AGS-210-TA | -0120 | -12AGS-TA | -9129 | -12A-210-TA | -9128 | -12A-TA | 12 |
| -0101 | -10AGS-210-TA | -0100 | -10AGS-TA | -9109 | -10A-210-TA | -9108 | -10A-TA | 10 |
| -0081 | -08AGS-210-TA | -0080 | -08AGS-TA | -9089 | -08A-210-TA | -9088 | -08A-TA | 8 |
| -0061 | -06AGS-210-TA | -0060 | -06AGS-TA | -9069 | -06A-210-TA | -9068 | -06A-TA | 6 |
| ▼ -0041 | ▼ -04AGS-210-TA | ▼ -0040 | ▼ -04AGS-TA | ▼ -9049 | ▼ -04A-210-TA | ▼ -9048 | ▼ -04A-TA | 4 |
| 39-54-0021 | 5566-02AGS-210-TA | 39-54-0020 | 5566-02AGS-TA | 39-53-9029 | 5566-02A-210-TA | 39-53-9028 | 5566-02A-TA | 2 |
| EDP NO. | ENG. NO. | EDP NO. | ENG. NO. | EDP NO. | ENG. NO. | EDP NO. | ENG. NO. | CKT. SIZE |
| 5566-NAGS-210-TA | | 5566-NAGS-TA | | 5566-NA-210-TA | | 5566-NA-TA | | |

| | | | | | | | | |
|------------------------------------------------------------------------------------------------------------------|---------------------------------------|--------------|--------------------------------------------|-------------------------------------------------------------------------------------------------------------------------------|------------------------------------------------------------------------|------------------------|------------------------|--|
| REVISED EC NO: J2007-2529 DRWNG SAI T001 2007/03/07 CHKDK: TOYODA 2007/03/09 APPR: NUKITA 2007/03/12 | GENERAL TOLERANCES (UNLESS SPECIFIED) | | DIMENSION STYLE MM ONLY | | SCALE --- | DESIGN UNITS METRIC | THIRD ANGLE PROJECTION | |
| | 10 UNDER | ± --- | DRAWN BY DATE H. HIRAMOTO '89/04/03 | | TITLE NEW MINI FIT CONNECTOR HEADER HOUSING ASS'Y -LEAD FREE- | | | |
| | 10 OVER 30 UNDER | ± --- | CHECKED BY DATE M. FUKUSHIMA '94/04/20 | | | | | |
| | 30 OVER | ± --- | APPROVED BY DATE M. FUKUSHIMA '94/04/20 | | MOLEX INCORPORATED DOCUMENT NO. SD-5566-002 SHEET NO. 6 OF 6 | | | |
| ANGULAR ± --- ° | | MATERIAL NO. | | SEE TABLE | | | | |
| DRAFT WHERE APPLICABLE MUST REMAIN WITHIN DIMENSIONS | | SIZE A3 | | THIS DRAWING CONTAINS INFORMATION THAT IS PROPRIETARY TO MOLEX INCORPORATED AND SHOULD NOT BE USED WITHOUT WRITTEN PERMISSION | | | | |

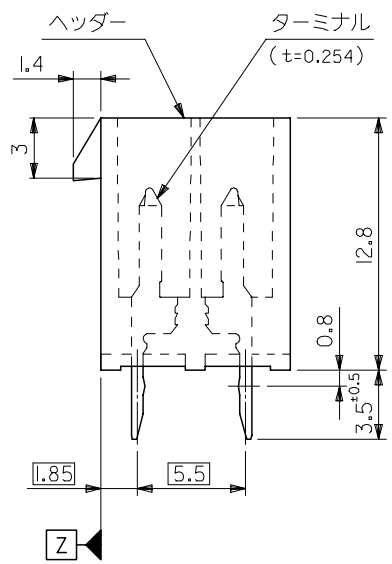
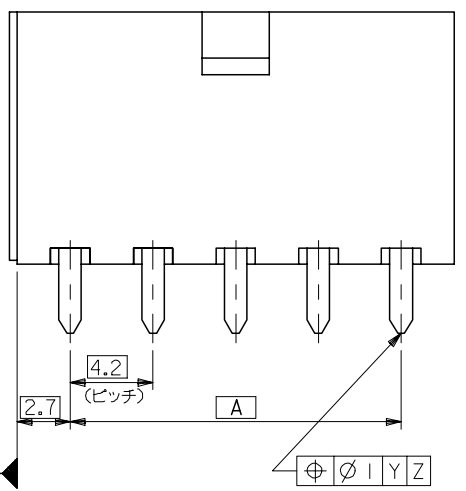
10 9 8 7 6 5 4 3 2 1



| | | |
|------|------|----|
| 51.6 | 46.2 | 24 |
| 47.4 | 42 | 22 |
| 43.2 | 37.8 | 20 |
| 39 | 33.6 | 18 |
| 34.8 | 29.4 | 16 |
| 30.6 | 25.2 | 14 |
| 26.4 | 21 | 12 |
| 22.2 | 16.8 | 10 |
| 18 | 12.6 | 8 |
| 13.8 | 8.4 | 6 |
| 9.6 | 4.2 | 4 |
| 5.4 | — | 2 |
| 寸法 B | 寸法 A | 極数 |



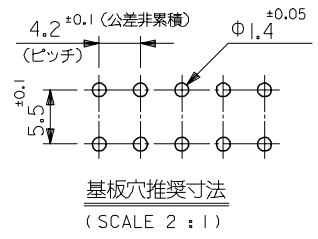
極数別レイアウト図
(SCALE 1:1)



注記

- 嵌合相手：5557シリーズ
 - 使用符号の説明

| | | | | | | | | | |
|----------------------------|---|---|---|---|---|---|---|---|---|
| 5566 | - | N | A | * | * | - | * | - | * |
| ベースナンバー | | | | | | | | | |
| 極数 | | | | | | | | | |
| アッセンブリー | | | | | | | | | |
| ターミナル材料 | | | | | | | | | |
| "BLANK": 黄銅 | | | | | | | | | |
| PB: リン青銅 | | | | | | | | | |
| ターミナルのメッキ | | | | | | | | | |
| "BLANK": 錫メッキ 0.9μm MIN. | | | | | | | | | |
| GS: ニッケル 1.27μm MIN. 全面下地 | | | | | | | | | |
| コンタクト部 金 0.76μm MIN. | | | | | | | | | |
| 半田付け部 錫 2.54μm MIN. | | | | | | | | | |
| ヘッダー材料 | | | | | | | | | |
| "BLANK": ナイロン 66, UL 94V-2 | | | | | | | | | |
| 210: ナイロン 66, UL 94V-0 | | | | | | | | | |
| 400: ナイロン 66, UL 94V-0, 黒 | | | | | | | | | |
- 色
- BL: 黒色
 - BU: 青色
 - RE: 赤色
 - YE: 黄色
 - GR: 灰色



基板穴推奨寸法
(SCALE 2:1)

| | | | | | | | | |
|--------------------------------------------------------------------------------------------------------------|---------------------------------------|------------------------------------------------------------|----------------------------|---------------------------|--------------------------------------------------------------------|-------------------------------------------------------------------------------------------------------------------------------|------------------------|--|
| REVISED EC NO: J2006-2418 DRW: NABEI 2006/01/30 CHK: KATOYODA 2006/02/03 APPR: NUKITA 2006/02/06 | GENERAL TOLERANCES (UNLESS SPECIFIED) | | DIMENSION STYLE MM ONLY | | SCALE 4:1 | DESIGN UNITS METRIC | THIRD ANGLE PROJECTION | |
| | 10 UNDER | ±0.2 | DRAWN BY H. HIRAMOTO | | TITLE NEW MINI FIT CONNECTOR HEADER ASS'Y -LEAD FREE- | | | |
| | 10 OVER 30 UNDER | ±0.3 | CHECKED BY M. FUKUSHIMA | | MOLEX INCORPORATED DOCUMENT NO. SD-5566-003 SHEET NO. 1 OF 3 | | | |
| | 30 OVER | ±0.4 | APPROVED BY M. ENOMOTO | | | | | |
| ANGULAR ±3° | | DRAFT WHERE APPLICABLE MUST REMAIN WITHIN DIMENSIONS | | MATERIAL NO. SEE CHART | | THIS DRAWING CONTAINS INFORMATION THAT IS PROPRIETARY TO MOLEX INCORPORATED AND SHOULD NOT BE USED WITHOUT WRITTEN PERMISSION | | |

10 9 8 7 6 5 4 3 2 1

F

E

D

C

B

A

| | | |
|-------------|--------------|----|
| 39-35-0248 | 5566-24A-400 | 24 |
| ▲ -0228 | ▲ -22A-400 | 22 |
| -0208 | -20A-400 | 20 |
| -0188 | -18A-400 | 18 |
| -0168 | -16A-400 | 16 |
| -0148 | -14A-400 | 14 |
| -0128 | -12A-400 | 12 |
| -0108 | -10A-400 | 10 |
| -0088 | -08A-400 | 8 |
| -0068 | -06A-400 | 6 |
| ▼ -0048 | ▼ -04A-400 | 4 |
| 39-35-0028 | 5566-02A-400 | 2 |
| EDP NO. | ENG. NO. | 極数 |
| 5566-NA-400 | | |

| | | | | | | |
|---------------|----------------|---------------|----------------|-------------|--------------|----|
| 39-29-5247 | 5566-24APB-210 | 39-29-6248 | 5566-24AGS-210 | 39-28-8240 | 5566-24A-210 | 24 |
| ▲ -5227 | ▲ -22APB-210 | ▲ -6228 | ▲ -22AGS-210 | ▲ -8220 | ▲ -22A-210 | 22 |
| -5207 | -20APB-210 | -6208 | -20AGS-210 | -8200 | -20A-210 | 20 |
| -5187 | -18APB-210 | -6188 | -18AGS-210 | -8180 | -18A-210 | 18 |
| -5167 | -16APB-210 | -6168 | -16AGS-210 | -8160 | -16A-210 | 16 |
| -5147 | -14APB-210 | -6148 | -14AGS-210 | -8140 | -14A-210 | 14 |
| -5127 | -12APB-210 | -6128 | -12AGS-210 | -8120 | -12A-210 | 12 |
| -5107 | -10APB-210 | -6108 | -10AGS-210 | -8100 | -10A-210 | 10 |
| -5087 | -08APB-210 | -6088 | -08AGS-210 | -8080 | -08A-210 | 8 |
| -5067 | -06APB-210 | -6068 | -06AGS-210 | -8060 | -06A-210 | 6 |
| ▼ -5047 | ▼ -04APB-210 | ▼ -6048 | ▼ -04AGS-210 | ▼ -8040 | ▼ -04A-210 | 4 |
| 39-29-5027 | 5566-02APB-210 | 39-29-6028 | 5566-02AGS-210 | 39-28-8020 | 5566-02A-210 | 2 |
| EDP NO. | ENG. NO. | EDP NO. | ENG. NO. | EDP NO. | ENG. NO. | 極数 |
| 5566-NAPB-210 | | 5566-NAGS-210 | | 5566-NA-210 | | |
| 39-29-5246 | 5566-24APB | 39-29-0243 | 5566-24AGS | 39-28-1243 | 5566-24A | 24 |
| ▲ -5226 | ▲ -22APB | ▲ -0223 | ▲ -22AGS | ▲ -1223 | ▲ -22A | 22 |
| -5206 | -20APB | -0203 | -20AGS | -1203 | -20A | 20 |
| -5186 | -18APB | -0183 | -18AGS | -1183 | -18A | 18 |
| -5166 | -16APB | -0163 | -16AGS | -1163 | -16A | 16 |
| -5146 | -14APB | -0143 | -14AGS | -1143 | -14A | 14 |
| -5126 | -12APB | -0123 | -12AGS | -1123 | -12A | 12 |
| -5106 | -10APB | -0103 | -10AGS | -1103 | -10A | 10 |
| -5086 | -08APB | -0083 | -08AGS | -1083 | -08A | 8 |
| -5066 | -06APB | -0063 | -06AGS | -1063 | -06A | 6 |
| ▼ -5046 | ▼ -04APB | ▼ -0043 | ▼ -04AGS | ▼ -1043 | ▼ -04A | 4 |
| 39-29-5026 | 5566-02APB | 39-29-0023 | 5566-02AGS | 39-28-1023 | 5566-02A | 2 |
| EDP NO. | ENG. NO. | EDP NO. | ENG. NO. | EDP NO. | ENG. NO. | 極数 |
| 5566-NAPB | | 5566-NAGS | | 5566-NA | | |

| | | | | | | | | |
|----------------------------------------------------------------------------------------------------------------------|---------------------------------------|------------|----------------------------|----------------------------------------------------------------------------------------------------------------------------------|----------------------------------------------------------------|------------------------|------------------------|--|
| REVISED EC NO: J2006-2418 DRWN: NABEI 2006/01/30 CHKD: KTOYODA 2006/02/03 APPR: NUKITA 2006/02/06 REV | GENERAL TOLERANCES (UNLESS SPECIFIED) | | DIMENSION STYLE MM ONLY | | SCALE --- | DESIGN UNITS METRIC | THIRD ANGLE PROJECTION | |
| | 10 UNDER | ± --- | DRAWN BY H. HIRAMOTO | DATE '89/05/07 | TITLE NEW MINI FIT CONNECTOR HEADER ASS'Y -LEAD FREE- | | | |
| | 10 OVER 30 UNDER | ± --- | CHECKED BY M. FUKUSHIMA | DATE '91/10/29 | MOLEX INCORPORATED | | | |
| | 30 OVER | ± --- | APPROVED BY M. ENOMOTO | DATE '91/10/29 | DOCUMENT NO. SD-5566-003 | | SHEET NO. 2 OF 3 | |
| | ANGULAR | ± --- ° | MATERIAL NO. SEE CHART | | | | | |
| DRAFT WHERE APPLICABLE MUST REMAIN WITHIN DIMENSIONS | | SIZE A3 | | THIS DRAWING CONTAINS INFORMATION THAT IS PROPRIETARY TO MOLEX INCORPORATED AND SHOULD NOT BE USED WITHOUT WRITTEN PERMISSION | | | | |

F

E

D

C

B

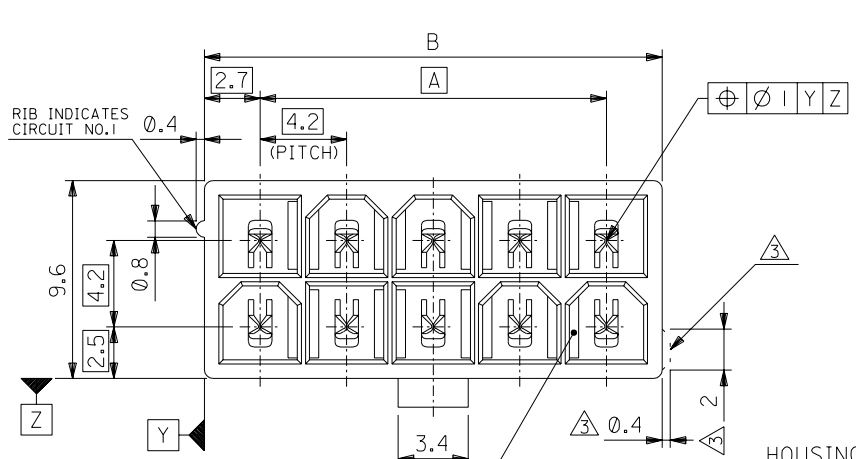
A

| | | | | | | | | | |
|----------------|-----------------|----------------|-----------------|-----------------|-----------------|-----------------|-----------------|-----------------|-------------|
| | | | | | | | | | 24 |
| | | | | | | | | | 22 |
| | | | | | | | | | 20 |
| | | | | | | | | | 18 |
| | | | | | 39-33-3169 | 5566-16A-210-BU | 39-33-3168 | 5566-16A-210-BL | 16 |
| | | | | | | | | | 14 |
| | | | | | | | | | 12 |
| | | | 39-33-4100 | 5566-10A-210-RE | 39-33-3109 | 5566-10A-210-BU | 39-33-3108 | 5566-10A-210-BL | 10 |
| | | | | | | | 39-33-3088 | 5566-08A-210-BL | 8 |
| | | | | | | | | | 6 |
| | | | 39-33-4040 | 5566-04A-210-RE | 39-33-3049 | 5566-04A-210-BU | | | 4 |
| 39-34-5023 | 5566-02A-210-YE | 39-33-4020 | 5566-02A-210-RE | 39-33-3029 | 5566-02A-210-BU | 39-33-3028 | 5566-02A-210-BL | | 2 |
| EDP. NO. | ENG. NO. | EDP. NO. | ENG. NO. | EDP. NO. | ENG. NO. | EDP. NO. | ENG. NO. | | 極数 |
| 5566-NA-210-YE | | 5566-NA-210-RE | | 5566-NA-210-BU | | 5566-NA-210-BL | | | |
| | | | | | | | | | 24 |
| | | | | | | | | | 22 |
| | | | | | | | | | 20 |
| | | | | | | | | | 18 |
| 39-33-3145 | 5566-14A-GR | | | 39-33-3166 | 5566-16A-RE | 39-33-3164 | 5566-16A-BU | | 16 |
| | | | | 39-33-3126 | 5566-12A-RE | 39-33-3124 | 5566-12A-BU | 39-33-3143 | 5566-14A-BL |
| | | | | 39-33-3106 | 5566-10A-RE | 39-33-3104 | 5566-10A-BU | | 14 |
| | | 39-33-3087 | 5566-08A-YE | 39-33-3086 | 5566-08A-RE | 39-33-3084 | 5566-08A-BU | | 12 |
| | | 39-33-3067 | 5566-06A-YE | 39-33-3066 | 5566-06A-RE | 39-33-3064 | 5566-06A-BU | | 10 |
| | | | | 39-33-3046 | 5566-04A-RE | 39-33-3044 | 5566-04A-BU | 39-33-3043 | 5566-04A-BL |
| | | 39-33-3027 | 5566-02A-YE | 39-33-3026 | 5566-02A-RE | 39-33-3024 | 5566-02A-BU | 39-33-3023 | 5566-02A-BL |
| EDP. NO. | ENG. NO. | EDP. NO. | ENG. NO. | EDP. NO. | ENG. NO. | EDP. NO. | ENG. NO. | EDP. NO. | ENG. NO. |
| 5566-NA-GR | | 5566-NA-YE | | 5566-NA-RE | | 5566-NA-BU | | 5566-NA-BL | |
| | | | | | | | | | 極数 |

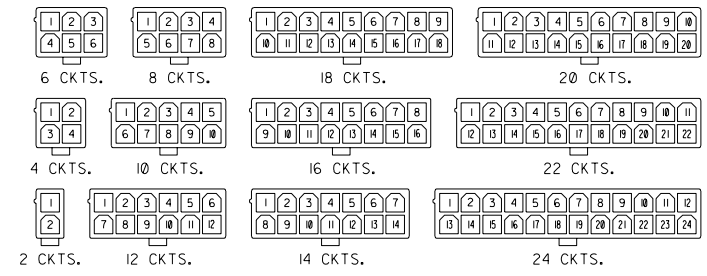
| | | | | | | | | |
|---------------------------------------------------------------------------------------------------------------|---------------------------------------|------------|-------------------------------------------|-----------|--------------------------------------------------------------------|------------------------|------------------------|--|
| REVISED EC NO: J2006-2418 DRWN: NABEI 2006/01/30 CHKD: KTOYODA 2006/02/03 APPR: NUKITA 2006/02/06 | GENERAL TOLERANCES (UNLESS SPECIFIED) | | DIMENSION STYLE MM ONLY | | SCALE --- | DESIGN UNITS METRIC | THIRD ANGLE PROJECTION | |
| | 10 UNDER | ± --- | DRAWN BY DATE H. HIRAMOTO '89/05/07 | | TITLE NEW MINI FIT CONNECTOR HEADER ASS'Y -LEAD FREE- | | | |
| | 10 OVER 30 UNDER | ± --- | CHECKED BY DATE M. FUKUSHIMA '91/10/29 | | | | | |
| | 30 OVER | ± --- | APPROVED BY DATE M. ENOMOTO '91/10/29 | | MOLEX INCORPORATED DOCUMENT NO. SD-5566-003 SHEET NO. 3 OF 3 | | | |
| | ANGULAR | ± --- ° | MATERIAL NO. | | | | | |
| DRAFT WHERE APPLICABLE MUST REMAIN WITHIN DIMENSIONS | | SIZE A3 | | SEE CHART | | | | |

DWG. NO. SD-5566-N****-*

MM DIMENSIONS IN METRIC DO NOT SCALE DRAWING

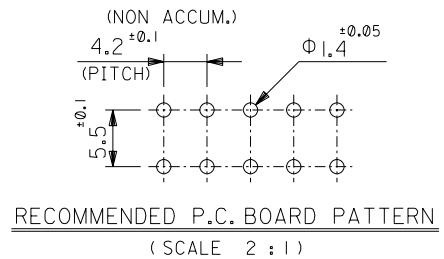
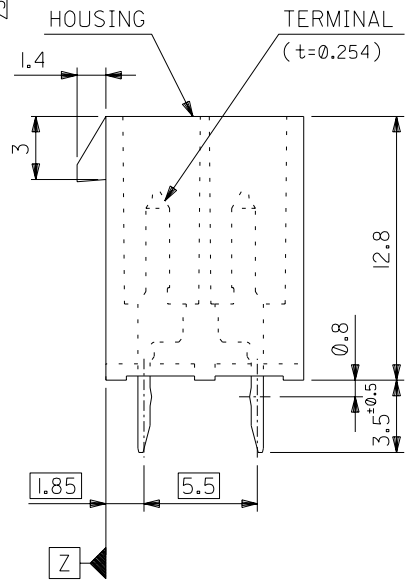
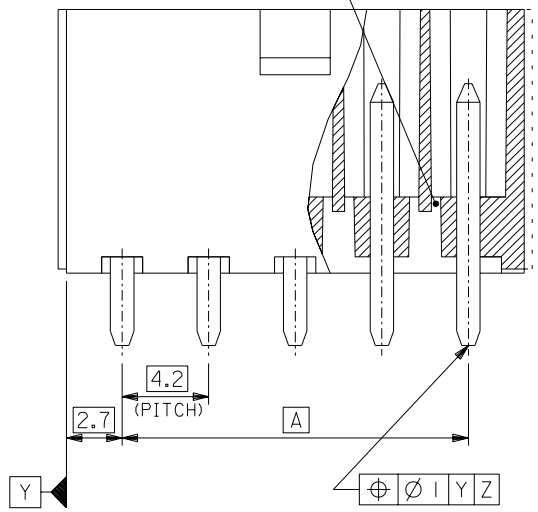


| | | | | | | | | | | | | | | | | | | | | | | | | |
|---|---|---|---|---|---|----|----|----|----|----|----|----|----|----|----|----|----|----|----|----|----|----|----|--|
| 1 | 2 | 3 | 4 | 5 | 6 | 7 | 8 | 9 | 10 | 11 | 12 | 13 | 14 | 15 | 16 | 17 | 18 | 19 | 20 | 21 | 22 | 23 | 24 | |
| 4 | 5 | 6 | 7 | 8 | 9 | 10 | 11 | 12 | 13 | 14 | 15 | 16 | 17 | 18 | 19 | 20 | 21 | 22 | 23 | 24 | | | | |



CIRCUIT SIZE LAYOUT (SCALE 1:1)

DRAIN HOLES (OPTION : SEE NOTE 2)



RECOMMENDED P.C. BOARD PATTERN (SCALE 2:1)


NOTES

- MATE WITH : 5557 SERIES
 - LEGEND
 - BASE NUMBER 5566 - N * * * - *
 - CIRCUIT SIZE _____
 - ASS'Y TYPE _____
 - A : WITHOUT DRAIN HOLES
 - B : WITH DRAIN HOLES
 - TERMINAL MATERIAL _____
 - "BLANK" : BRASS
 - PB : PHOSPHOR BRONZE
 - TERMINAL PLATING _____
 - "BLANK" : BRIGHT TIN 0.9μm MIN. OVER COPPER 0.5μm MIN. (BRASS)
 - TIN 0.9μm MIN. REFLOW TREATMENT
 - OR BRIGHT TIN 0.9μm MIN. (PHOSPHOR BRONZE)
 - S : BRIGHT TIN 2.54μm MIN. OVER NICKEL 1.27μm MIN.
 - GS : SELECT GOLD 0.76μm MIN. AND SELECT PURE TIN 2.54μm MIN. OVER NICKEL 1.27μm MIN.
 - GS2 : SELECT GOLD 0.38μm MIN. AND SELECT PURE TIN 2.54μm MIN. OVER NICKEL 1.27μm MIN.
 - HOUSING MATERIAL _____
 - "BLANK" : NYLON 66, UL94V-2
 - 210 : NYLON 66, UL94V-0
 - 310 : G.F. 30% PCT, UL94V-0
 - 400 : NYLON 66, UL94V-0, BLACK
- EXTERNAL RIB APPEARS ON MX-USA PARTS ONLY.

| | | | | | | | |
|-------------------------|--------|----------------------|----------------------------|------------|-------------|-----------------------------|-------------------------------------|
| 5566-N****- | J | REVISED (J2004-4416) | M,N K,T | 04/5/25 | 材料 MATERIAL | SEE NOTE 2 | MOLEX-JAPAN CO.,LTD. 日本モレックス株式会社 |
| MODEL NO. | H | REVISED (J40308) | H,H M,F | 94/4/19 | 仕上げ FINISH | SEE NOTE 2 | |
| 角度 ANGLE | ±3° | G | REVISED (J10190) | H,H Y,Y | 9/3/7 | 適用電線範囲 WIRE RANGE | TITLE 名称 |
| 30°以上 OVER | ±0.4 | F | REVISED (J00638) | H,H Y,Y | 90/6/8 | 被覆外径 INS. RANGE | NEW MINI FIT CONNECTOR |
| 10°以上 OVER 30°未滿 UNDER | ±0.3 | E | REVISED (J90681) | H,H Y,Y | 89/8/25 | | HEADER HOUSING ASS'Y |
| 未滿 10° UNDER | ±0.2 | D | REVISED & REDRAWN (J90237) | H,H Y,Y | 89/4/3 | DRAWN BY '89/4/3 H.HIRAMOTO | -LEAD FREE- |
| 一般公差 GENERAL TOLERANCES | 記号 LTR | 変更内容 REVISION RECORD | DR. CHK. | 日付 DATE | 尺度 SCALE | 4 : 1 | DWG. NO. SHEET 1 OF 4 REV J |

| 8 | | 7 | | 6 | | 5 | | 4 | | 3 | | 2 | | 1 | |
|-----------------------------|----------------|----------------|-----------------|-----------------|----------------|----------------|---------------|---------------|--------------|--------------|----|---|--|---|--|
| DWG. NO. SD-5566-N****-* | NOT TOOLED | 5566-24APB-310 | NOT TOOLED | 5566-24AGS2-310 | NOT TOOLED | 5566-24AGS-310 | NOT TOOLED | 5566-24AS-310 | NOT TOOLED | 5566-24A-310 | 24 | | | | |
| | ↑ | ↑ | ↑ | ↑ | ↑ | ↑ | ↑ | ↑ | ↑ | ↑ | 22 | | | | |
| | | -22APB-310 | | -22AGS2-310 | | -22AGS-310 | | -22AS-310 | | -22A-310 | 20 | | | | |
| | | -20APB-310 | | -20AGS2-310 | | -20AGS-310 | | -20AS-310 | | -20A-310 | 18 | | | | |
| | | -18APB-310 | | -18AGS2-310 | | -18AGS-310 | | -18AS-310 | | -18A-310 | 16 | | | | |
| | | -16APB-310 | | -16AGS2-310 | | -16AGS-310 | | -16AS-310 | | -16A-310 | 14 | | | | |
| | | -14APB-310 | | -14AGS2-310 | | -14AGS-310 | | -14AS-310 | | -14A-310 | 12 | | | | |
| | | -12APB-310 | | -12AGS2-310 | | -12AGS-310 | | -12AS-310 | | -12A-310 | 10 | | | | |
| | | -10APB-310 | | -10AGS2-310 | | -10AGS-310 | | -10AS-310 | | -10A-310 | 8 | | | | |
| | | -08APB-310 | | -08AGS2-310 | | -08AGS-310 | | -08AS-310 | | -08A-310 | 6 | | | | |
| | -06APB-310 | | -06AGS2-310 | | -06AGS-310 | | -06AS-310 | | -06A-310 | 4 | | | | | |
| | -04APB-310 | | -04AGS2-310 | | -04AGS-310 | | -04AS-310 | | -04A-310 | 2 | | | | | |
| EDP NO. | ENG. NO. | EDP NO. | ENG. NO. | EDP NO. | ENG. NO. | EDP NO. | ENG. NO. | EDP NO. | ENG. NO. | CKT. SIZE | | | | | |
| 5566-NAPB-310 | | 5566-NAGS2-310 | | 5566-NAGS-310 | | 5566-NAS-310 | | 5566-NA-310 | | | | | | | |
| 39-29-5247 | 5566-24APB-210 | 39-30-9245 | 5566-24AGS2-210 | 39-29-6248 | 5566-24AGS-210 | 39-30-6242 | 5566-24AS-210 | 39-28-8240 | 5566-24A-210 | 24 | | | | | |
| ↑ | ↑ | ↑ | ↑ | ↑ | ↑ | ↑ | ↑ | ↑ | ↑ | 22 | | | | | |
| | -5227 | | -22AGS2-210 | | -22AGS-210 | | -22AS-210 | | -22A-210 | 20 | | | | | |
| | -5207 | | -20AGS2-210 | | -20AGS-210 | | -20AS-210 | | -20A-210 | 18 | | | | | |
| | -5187 | | -18AGS2-210 | | -18AGS-210 | | -18AS-210 | | -18A-210 | 16 | | | | | |
| | -5167 | | -16AGS2-210 | | -16AGS-210 | | -16AS-210 | | -16A-210 | 14 | | | | | |
| | -5147 | | -14AGS2-210 | | -14AGS-210 | | -14AS-210 | | -14A-210 | 12 | | | | | |
| | -5127 | | -12AGS2-210 | | -12AGS-210 | | -12AS-210 | | -12A-210 | 10 | | | | | |
| | -5107 | | -10AGS2-210 | | -10AGS-210 | | -10AS-210 | | -10A-210 | 8 | | | | | |
| | -5087 | | -08AGS2-210 | | -08AGS-210 | | -08AS-210 | | -08A-210 | 6 | | | | | |
| | -5067 | | -06AGS2-210 | | -06AGS-210 | | -06AS-210 | | -06A-210 | 4 | | | | | |
| | -5047 | | -04AGS2-210 | | -04AGS-210 | | -04AS-210 | | -04A-210 | 2 | | | | | |
| EDP NO. | ENG. NO. | EDP NO. | ENG. NO. | EDP NO. | ENG. NO. | EDP NO. | ENG. NO. | EDP NO. | ENG. NO. | CKT. SIZE | | | | | |
| 5566-NAPB-210 | | 5566-NAGS2-210 | | 5566-NAGS-210 | | 5566-NAS-210 | | 5566-NA-210 | | | | | | | |
| 39-29-5246 | 5566-24APB | 39-30-9244 | 5566-24AGS2 | 39-29-0243 | 5566-24AGS | 39-30-6241 | 5566-24AS | 39-28-1243 | 5566-24A | 24 | | | | | |
| ↑ | ↑ | ↑ | ↑ | ↑ | ↑ | ↑ | ↑ | ↑ | ↑ | 22 | | | | | |
| | -5226 | | -22AGS2 | | -22AGS | | -22AS | | -22A | 20 | | | | | |
| | -5186 | | -18AGS2 | | -18AGS | | -18AS | | -18A | 18 | | | | | |
| | -5166 | | -16AGS2 | | -16AGS | | -16AS | | -16A | 16 | | | | | |
| | -5146 | | -14AGS2 | | -14AGS | | -14AS | | -14A | 14 | | | | | |
| | -5126 | | -12AGS2 | | -12AGS | | -12AS | | -12A | 12 | | | | | |
| | -5106 | | -10AGS2 | | -10AGS | | -10AS | | -10A | 10 | | | | | |
| | -5086 | | -08AGS2 | | -08AGS | | -08AS | | -08A | 8 | | | | | |
| | -5066 | | -06AGS2 | | -06AGS | | -06AS | | -06A | 6 | | | | | |
| | -5046 | | -04AGS2 | | -04AGS | | -04AS | | -04A | 4 | | | | | |
| EDP NO. | ENG. NO. | EDP NO. | ENG. NO. | EDP NO. | ENG. NO. | EDP NO. | ENG. NO. | EDP NO. | ENG. NO. | CKT. SIZE | | | | | |
| 5566-NAPB | | 5566-NAGS2 | | 5566-NAGS | | 5566-NAS | | 5566-NA | | | | | | | |

DIMENSIONS IN METRIC DO NOT SCALE DRAWING

| | | | | | | | | |
|-------------------------|-------|------------------|----------------------|------------|------------|-----------------------------|-------------------------------|---------------------------------------------------------------------------------------------------------------------------|
| 5566-N**** | | J | SEE SHEET 1 OF 4 | M,N K,T | '04/5/25 | 材料 MATERIAL | SEE NOTE 2 |  MOLEX-JAPAN CO.,LTD. 日本モレックス株式会社 |
| MODEL NO. | H | SEE SHEET 1 OF 4 | H,H M,F | '94/4/19 | 仕上げ FINISH | SEE NOTE 2 | REVISE ONLY ON CAD SYSTEM | |
| 角度 ANGLE | +3° | G | SEE SHEET 1 OF 4 | H,H Y,Y | '91/3/7 | 適用電線範囲 WIRE RANGE | —#— | TITLE 名称 |
| 30以上 OVER | +0.3 | F | SEE SHEET 1 OF 4 | H,H Y,Y | '90/6/8 | 被覆外径 INS. RANGE | | NEW MINI FIT CONNECTOR |
| 10以上 30 UNDER | +0.25 | E | SEE SHEET 1 OF 4 | H,H Y,Y | '89/8/25 | | | HEADER HOUSING ASS'Y |
| 未滿 10 UNDER | +0.2 | D | SEE SHEET 1 OF 4 | H,H Y,Y | '89/4/3 | DRAWN BY '89/4/3 H.HIRAMOTO | CHK'D BY '94/4/20 M.FUKUSHIMA | -LEAD FREE- |
| 一般公差 GENERAL TOLERANCES | | 記号 LTR | 変更内容 REVISION RECORD | DR. CHK. | 日付 DATE | 尺度 SCALE | —#— | DWG. NO. SHEET 2 OF 4 REV |
| | | | | | | | | SD-5566-N****-* |

5566-S32

| | | | | | | | | | | | | | | | |
|----------------------------|----------------|-----------------|--------------|----------------|----------------|---------------|------------|--------------|------------|-----------------|------------|-----------------|-----------|---|--|
| 8 | | 7 | | 6 | | 5 | | 4 | | 3 | | 2 | | 1 | |
| DWG. NO. SD-5566-N***** | NOT TOOLED | 5566-24BGS2-310 | NOT TOOLED | 5566-24BGS-310 | NOT TOOLED | 5566-24BS-310 | NOT TOOLED | 5566-24B-310 | NOT TOOLED | 5566-24B-310 | NOT TOOLED | 5566-24APBS-310 | 24 | | |
| | ↑ | ↑ | ↑ | ↑ | ↑ | ↑ | ↑ | ↑ | ↑ | ↑ | ↑ | ↑ | 22 | | |
| | | -22BGS2-310 | | -22BGS-310 | | -22BS-310 | | -22B-310 | | -22B-310 | | -22APBS-310 | 20 | | |
| | | -20BGS2-310 | | -20BGS-310 | | -20BS-310 | | -20B-310 | | -20B-310 | | -20APBS-310 | 18 | | |
| | | -18BGS2-310 | | -18BGS-310 | | -18BS-310 | | -18B-310 | | -18B-310 | | -18APBS-310 | 16 | | |
| | | -16BGS2-310 | | -16BGS-310 | | -16BS-310 | | -16B-310 | | -16B-310 | | -16APBS-310 | 14 | | |
| | | -14BGS2-310 | | -14BGS-310 | | -14BS-310 | | -14B-310 | | -14B-310 | | -14APBS-310 | 12 | | |
| | | -12BGS2-310 | | -12BGS-310 | | -12BS-310 | | -12B-310 | | -12B-310 | | -12APBS-310 | 10 | | |
| | | -10BGS2-310 | | -10BGS-310 | | -10BS-310 | | -10B-310 | | -10B-310 | | -10APBS-310 | 8 | | |
| | | -08BGS2-310 | | -08BGS-310 | | -08BS-310 | | -08B-310 | | -08B-310 | | -08APBS-310 | 6 | | |
| | | -06BGS2-310 | | -06BGS-310 | | -06BS-310 | | -06B-310 | | -06B-310 | | -06APBS-310 | 4 | | |
| | | -04BGS2-310 | | -04BGS-310 | | -04BS-310 | | -04B-310 | | -04B-310 | | -04APBS-310 | 2 | | |
| E | EDP NO. | ENG. NO. | EDP NO. | ENG. NO. | EDP NO. | ENG. NO. | EDP NO. | ENG. NO. | EDP NO. | ENG. NO. | EDP NO. | ENG. NO. | CKT. SIZE | | |
| | 5566-NBGS2-310 | 5566-NBGS-310 | 5566-NBS-310 | 5566-NB-310 | 5566-NAPBS-310 | | | | | | | | | | |
| D | 39-30-9247 | 5566-24BGS2-210 | 39-31-0248 | 5566-24BGS-210 | 39-31-0242 | 5566-24BS-210 | 39-31-0240 | 5566-24B-210 | 39-30-6244 | 5566-24APBS-210 | 24 | | | | |
| | ↑ | ↑ | ↑ | ↑ | ↑ | ↑ | ↑ | ↑ | ↑ | ↑ | 22 | | | | |
| | | -9227 | ↑ | -9228 | ↑ | -9222 | ↑ | -9220 | ↑ | -9224 | ↑ | -9220 | 20 | | |
| | | -9207 | ↑ | -9208 | ↑ | -9202 | ↑ | -9200 | ↑ | -9204 | ↑ | -9200 | 18 | | |
| | | -9187 | ↑ | -9188 | ↑ | -9182 | ↑ | -9180 | ↑ | -9184 | ↑ | -9180 | 16 | | |
| | | -9167 | ↑ | -9168 | ↑ | -9162 | ↑ | -9160 | ↑ | -9164 | ↑ | -9160 | 14 | | |
| | | -9147 | ↑ | -9148 | ↑ | -9142 | ↑ | -9140 | ↑ | -9144 | ↑ | -9140 | 12 | | |
| | | -9127 | ↑ | -9128 | ↑ | -9122 | ↑ | -9120 | ↑ | -9124 | ↑ | -9120 | 10 | | |
| | | -9107 | ↑ | -9108 | ↑ | -9102 | ↑ | -9100 | ↑ | -9104 | ↑ | -9100 | 8 | | |
| | | -9087 | ↑ | -9088 | ↑ | -9082 | ↑ | -9080 | ↑ | -9084 | ↑ | -9080 | 6 | | |
| | | -9067 | ↑ | -9068 | ↑ | -9062 | ↑ | -9060 | ↑ | -9064 | ↑ | -9060 | 4 | | |
| | | -9047 | ↑ | -9048 | ↑ | -9042 | ↑ | -9040 | ↑ | -9044 | ↑ | -9040 | 2 | | |
| C | EDP NO. | ENG. NO. | EDP NO. | ENG. NO. | EDP NO. | ENG. NO. | EDP NO. | ENG. NO. | EDP NO. | ENG. NO. | EDP NO. | ENG. NO. | CKT. SIZE | | |
| | 5566-NBGS2-210 | 5566-NBGS-210 | 5566-NBS-210 | 5566-NB-210 | 5566-NAPBS-210 | | | | | | | | | | |
| B | 39-30-9246 | 5566-24BGS2 | 39-31-0247 | 5566-24BGS | 39-31-0241 | 5566-24BS | 39-29-3246 | 5566-24B | 39-30-6243 | 5566-24APBS | 24 | | | | |
| | ↑ | ↑ | ↑ | ↑ | ↑ | ↑ | ↑ | ↑ | ↑ | ↑ | 22 | | | | |
| | | -9226 | ↑ | -9227 | ↑ | -9221 | ↑ | -9226 | ↑ | -9223 | ↑ | -9220 | 20 | | |
| | | -9206 | ↑ | -9207 | ↑ | -9201 | ↑ | -9206 | ↑ | -9203 | ↑ | -9200 | 18 | | |
| | | -9186 | ↑ | -9187 | ↑ | -9181 | ↑ | -9186 | ↑ | -9183 | ↑ | -9180 | 16 | | |
| | | -9166 | ↑ | -9167 | ↑ | -9161 | ↑ | -9166 | ↑ | -9163 | ↑ | -9160 | 14 | | |
| | | -9146 | ↑ | -9147 | ↑ | -9141 | ↑ | -9146 | ↑ | -9143 | ↑ | -9140 | 12 | | |
| | | -9126 | ↑ | -9127 | ↑ | -9121 | ↑ | -9126 | ↑ | -9123 | ↑ | -9120 | 10 | | |
| | | -9106 | ↑ | -9107 | ↑ | -9101 | ↑ | -9106 | ↑ | -9103 | ↑ | -9100 | 8 | | |
| | | -9086 | ↑ | -9087 | ↑ | -9081 | ↑ | -9086 | ↑ | -9083 | ↑ | -9080 | 6 | | |
| | | -9066 | ↑ | -9067 | ↑ | -9061 | ↑ | -9066 | ↑ | -9063 | ↑ | -9060 | 4 | | |
| | | -9046 | ↑ | -9047 | ↑ | -9041 | ↑ | -9046 | ↑ | -9043 | ↑ | -9040 | 2 | | |
| A | EDP NO. | ENG. NO. | EDP NO. | ENG. NO. | EDP NO. | ENG. NO. | EDP NO. | ENG. NO. | EDP NO. | ENG. NO. | EDP NO. | ENG. NO. | CKT. SIZE | | |
| | 5566-NBGS2 | 5566-NBGS | 5566-NBS | 5566-NB | 5566-NAPBS | | | | | | | | | | |

| | | | | | | | | |
|-------------------------|-------|------------------|----------------------|------------|------------|--------------------------------|----------------------------------|---------------------------------------------------------------|
| 5566-N***** | | J | SEE SHEET 1 OF 4 | M,N K,T | '04/5/25 | 材料 MATERIAL | SEE NOTE 2 | 材料 MOLEX-JAPAN CO.,LTD. 日本モレックス株式会社 |
| MODEL NO. | H | SEE SHEET 1 OF 4 | H,H M,F | '94/4/19 | 仕上げ FINISH | | | |
| 角度 ANGLE | 30° | G | SEE SHEET 1 OF 4 | H,H Y,Y | '91/3/7 | 適用電線範囲 WIRE RANGE | --- | REVISE ONLY ON CAD SYSTEM |
| 30 以上 OVER | +0.3 | F | SEE SHEET 1 OF 4 | H,H Y,Y | '90/6/8 | 被覆外径 INS. RANGE | --- | TITLE 名称 |
| 10 以上 30 未満 OVER UNDER | +0.25 | E | SEE SHEET 1 OF 4 | H,H Y,Y | '89/8/25 | 被覆外径 INS. RANGE | --- | NEW MINI FIT CONNECTOR HEADER HOUSING ASS'Y -LEAD FREE- |
| 10 未満 UNDER | +0.2 | D | SEE SHEET 1 OF 4 | H,H Y,Y | '89/4/3 | DRAWN BY '89/4/3 H.HIRAMOTO | CHK'D BY '94/4/20 M.FUKUSHIMA | DWG. NO. |
| 一般公差 GENERAL TOLERANCES | | | | | | DR. APP'D BY | 尺 | SD-5566-N***** |
| 記号 LTR | | | 変更内容 REVISION RECORD | DR. CHK. | DATE | 日付 DATE | | SHEET 3 OF 4 |
| | | | | | | | | REV |
| | | | | | | | | J |

5566-S33

DWG. NO.
SD-5566-N****-

E

D

C

B

A

DIMENSIONS IN METRIC DO NOT SCALE DRAWING

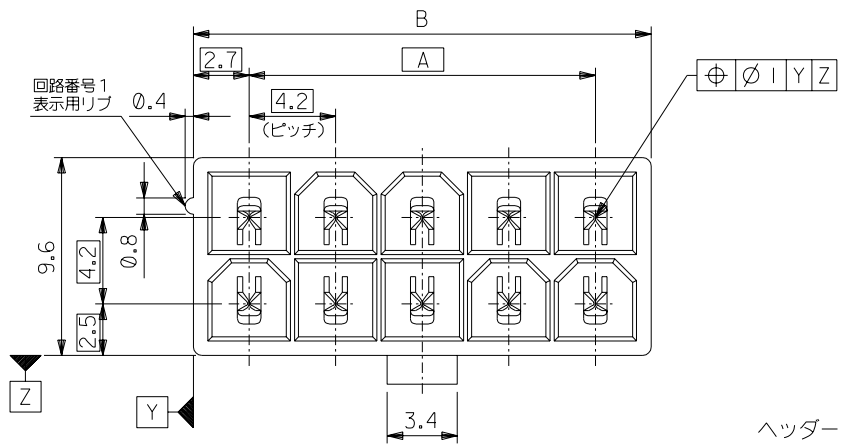
| | | | | |
|------------|-----------------|------------|----------------|----|
| NOT TOOLED | 5566-24BPBS-310 | NOT TOOLED | 5566-24BPB-310 | 24 |
| ▲ | ▲ -22BPBS-310 | ▲ | ▲ -22BPB-310 | 22 |
| | -20BPBS-310 | | -20BPB-310 | 20 |
| | -18BPBS-310 | | -18BPB-310 | 18 |
| | -16BPBS-310 | | -16BPB-310 | 16 |
| | -14BPBS-310 | | -14BPB-310 | 14 |
| | -12BPBS-310 | | -12BPB-310 | 12 |
| | -10BPBS-310 | | -10BPB-310 | 10 |
| | -08BPBS-310 | | -08BPB-310 | 8 |
| | -06BPBS-310 | | -06BPB-310 | 6 |
| ▼ | ▼ -04BPBS-310 | ▼ | ▼ -04BPB-310 | 4 |
| NOT TOOLED | 5566-02BPBS-310 | NOT TOOLED | 5566-02BPB-310 | 2 |

| | | | | |
|----------------|-----------------|---------------|----------------|-----------|
| EDP NO. | ENG. NO | EDP NO. | ENG. NO | CKT. SIZE |
| 5566-NBPBS-310 | | 5566-NBPB-310 | | |
| 39-31-0246 | 5566-24BPBS-210 | 39-31-0244 | 5566-24BPB-210 | 24 |
| ▲ -0226 | ▲ -22BPBS-210 | ▲ -0224 | ▲ -22BPB-210 | 22 |
| -0206 | -20BPBS-210 | -0204 | -20BPB-210 | 20 |
| -0186 | -18BPBS-210 | -0184 | -18BPB-210 | 18 |
| -0166 | -16BPBS-210 | -0164 | -16BPB-210 | 16 |
| -0146 | -14BPBS-210 | -0144 | -14BPB-210 | 14 |
| -0126 | -12BPBS-210 | -0124 | -12BPB-210 | 12 |
| -0106 | -10BPBS-210 | -0104 | -10BPB-210 | 10 |
| -0086 | -08BPBS-210 | -0084 | -08BPB-210 | 8 |
| -0066 | -06BPBS-210 | -0064 | -06BPB-210 | 6 |
| ▼ -0046 | ▼ -04BPBS-210 | ▼ -0044 | ▼ -04BPB-210 | 4 |
| 39-31-0026 | 5566-02BPBS-210 | 39-31-0024 | 5566-02BPB-210 | 2 |

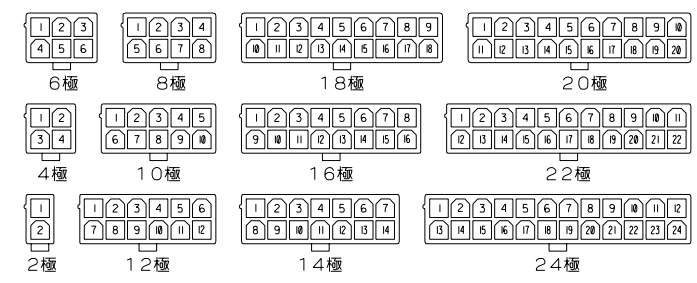
| | | | | |
|----------------|--------------|---------------|-------------|-----------|
| EDP NO. | ENG. NO | EDP NO. | ENG. NO | CKT. SIZE |
| 5566-NBPBS-210 | | 5566-NBPB-210 | | |
| 39-35-0248 | 5566-24A-400 | 39-31-0245 | 5566-24BPBS | 24 |
| ▲ -0228 | ▲ -22A-400 | ▲ -0225 | ▲ -22BPBS | 22 |
| -0208 | -20A-400 | -0205 | -20BPBS | 20 |
| -0188 | -18A-400 | -0185 | -18BPBS | 18 |
| -0168 | -16A-400 | -0165 | -16BPBS | 16 |
| -0148 | -14A-400 | -0145 | -14BPBS | 14 |
| -0128 | -12A-400 | -0125 | -12BPBS | 12 |
| -0108 | -10A-400 | -0105 | -10BPBS | 10 |
| -0088 | -08A-400 | -0085 | -08BPBS | 8 |
| -0068 | -06A-400 | -0065 | -06BPBS | 6 |
| ▼ -0048 | ▼ -04A-400 | ▼ -0045 | ▼ -04BPBS | 4 |
| 39-35-0028 | 5566-02A-400 | 39-31-0025 | 5566-02BPBS | 2 |

| | | | | | | |
|-------------|--|------------|--|-----------|--|-----------|
| 5566-NA-400 | | 5566-NBPBS | | 5566-NBPB | | CKT. SIZE |
|-------------|--|------------|--|-----------|--|-----------|

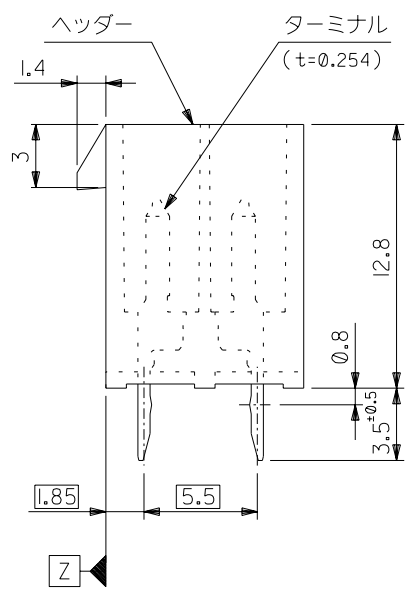
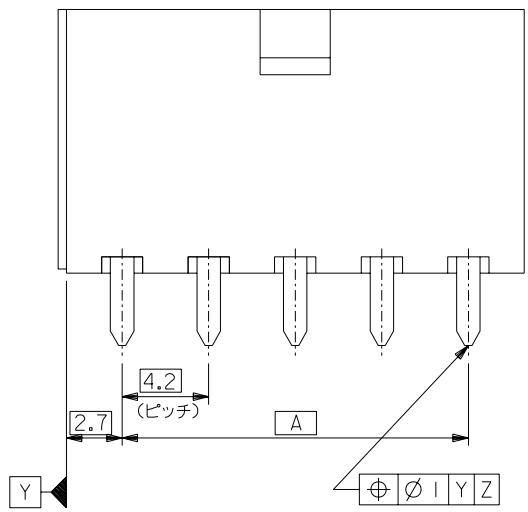
| | | | | | | | |
|-------------------------|-------|------------------|----------------------|------------|------------|--------------------------------|---------------------------------------------------------------|
| 5566-N****- | | J | SEE SHEET 1 OF 4 | M,N K,T | 04/5/25 | 材料 MATERIAL | MOLEX-JAPAN CO.,LTD. 日本モレックス株式会社 |
| MODEL NO. | H | SEE SHEET 1 OF 4 | H,L M,F | 94/4/19 | 仕上げ FINISH | SEE NOTE 2 | REVISE ONLY ON CAD SYSTEM |
| 角度 ANGLE | 3° | G | SEE SHEET 1 OF 4 | H,L Y,Y | 91/3/7 | 適用電線範囲 WIRE RANGE | TITLE 名称 |
| 30以上 OVER | +0.3 | F | SEE SHEET 1 OF 4 | H,L Y,Y | 90/6/8 | 被覆外径 INS. RANGE | NEW MINI FIT CONNECTOR HEADER HOUSING ASS'Y -LEAD FREE- |
| 10以上 30未満 OVER UNDER | +0.25 | E | SEE SHEET 1 OF 4 | H,L Y,Y | 89/8/25 | DRAWN BY '89/4/3 H.HIRAMOTO | CHK'D BY '94/4/20 M.FUKUSHIMA |
| 10未満 UNDER | +0.2 | D | SEE SHEET 1 OF 4 | H,L Y,Y | 89/4/3 | DR. 記号 | DWG. NO. SHEET 4 OF 4 |
| 一般公差 GENERAL TOLERANCES | | LTR | 変更内容 REVISION RECORD | DR. 記号 | DATE | 尺度 SCALE | REV J |



| | | |
|------|------|----|
| 51.6 | 46.2 | 24 |
| 47.4 | 42 | 22 |
| 43.2 | 37.8 | 20 |
| 39 | 33.6 | 18 |
| 34.8 | 29.4 | 16 |
| 30.6 | 25.2 | 14 |
| 26.4 | 21 | 12 |
| 22.2 | 16.8 | 10 |
| 18 | 12.6 | 8 |
| 13.8 | 8.4 | 6 |
| 9.6 | 4.2 | 4 |
| 5.4 | — | 2 |
| 寸法 B | 寸法 A | 極数 |

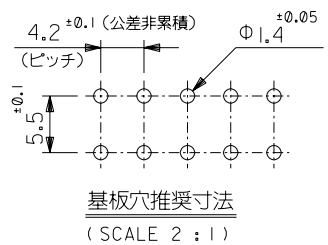


極数別レイアウト図
(SCALE 1:1)



注記

- 嵌合相手：5557シリーズ
- 使用符号の説明
 ベースナンバー 5566 - N A * * - *
 極数 _____
 アッセンブリ _____
 ターミナル材料 _____
 "BLANK"：黄銅
 PB：リン青銅
 ターミナルのメッキ _____
 "BLANK"：錫メッキ 0.9μm MIN.
 GS：ニッケル 1.27μm MIN. 全面下地
 コンタクト部 金 0.76μm MIN.
 半田付け部 錫 2.54μm MIN.
 ヘッダー材料 _____
 "BLANK"：ナイロン 66, UL 94V-2
 210：ナイロン 66, UL 94V-0
 400：ナイロン 66, UL 94V-0, 黒



5566-NA***
MODEL NO.

| | | | |
|---------------------------------|-------------------------|-------------------------------------|----------------------------------------------------------|
| 材料 MATERIAL | | MOLEX-JAPAN CO.,LTD. 日本モレックス株式会社 | |
| 注記 2 参照 | | EDP NO. SHEET 2 OF 2 参照 | |
| 仕上げ FINISH 注記 2 参照 | | ENG. NO. SHEET 1 OF 2 REV F | |
| 角度 ANGLE ±3° | F 変更 (J2004-4431) | M.N. '04/5/26 | 適用電線範囲 WIRE RANGE — |
| 30以上 OVER ±0.4 ±0.3 | E 変更 (J00638) | H.H. '90/6/8 | 被覆外径 INS. RANGE — |
| 10以上 OVER 30未満 UNDER ±0.3 ±0.25 | D 変更&再作図 (J00510) | H.H. '90/5/7 | |
| 10未満 UNDER ±0.2 | 記号 変更内容 REVISION RECORD | DR. CHK. 日付 DATE | DRAWN BY '89/5/7 H.HIRAMOTO |
| 一般公差 GENERAL TOLERANCES | REVISION RECORD | DR. CHK. 日付 DATE | CHK'D BY '91/10/29 M.FUKUSHIMA |
| | | | APP'D BY '91/10/29 M.ENOMOTO |
| | | | 尺度 SCALE 4-1 |
| | | | TITLE 名称 NEW MINI FIT CONNECTOR HEADER ASS'Y -LEAD FREE- |

ENC. NO
SD-5566-NA***

EDP NO.
表 参照

MM DIMENSIONS IN METRIC DO NOT SCALE DRAWING

| | | |
|-------------|--------------|----|
| 39-35-0248 | 5566-24A-400 | 24 |
| ▲ -0228 | ▲ -22A-400 | 22 |
| -0208 | -20A-400 | 20 |
| -0188 | -18A-400 | 18 |
| -0168 | -16A-400 | 16 |
| -0148 | -14A-400 | 14 |
| -0128 | -12A-400 | 12 |
| -0108 | -10A-400 | 10 |
| -0088 | -08A-400 | 8 |
| -0068 | -06A-400 | 6 |
| ▼ -0048 | ▼ -04A-400 | 4 |
| 39-35-0028 | 5566-02A-400 | 2 |
| EDP NO. | ENG. NO | 極数 |
| 5566-NA-400 | | 極数 |

| | | | | | | |
|---------------|----------------|---------------|----------------|-------------|--------------|----|
| 39-29-5247 | 5566-24APB-210 | 39-29-6248 | 5566-24AGS-210 | 39-28-8240 | 5566-24A-210 | 24 |
| ▲ -5227 | ▲ -22APB-210 | ▲ -6228 | ▲ -22AGS-210 | ▲ -8220 | ▲ -22A-210 | 22 |
| -5207 | -20APB-210 | -6208 | -20AGS-210 | -8200 | -20A-210 | 20 |
| -5187 | -18APB-210 | -6188 | -18AGS-210 | -8180 | -18A-210 | 18 |
| -5167 | -16APB-210 | -6168 | -16AGS-210 | -8160 | -16A-210 | 16 |
| -5147 | -14APB-210 | -6148 | -14AGS-210 | -8140 | -14A-210 | 14 |
| -5127 | -12APB-210 | -6128 | -12AGS-210 | -8120 | -12A-210 | 12 |
| -5107 | -10APB-210 | -6108 | -10AGS-210 | -8100 | -10A-210 | 10 |
| -5087 | -08APB-210 | -6088 | -08AGS-210 | -8080 | -08A-210 | 8 |
| -5067 | -06APB-210 | -6068 | -06AGS-210 | -8060 | -06A-210 | 6 |
| ▼ -5047 | ▼ -04APB-210 | ▼ -6048 | ▼ -04AGS-210 | ▼ -8040 | ▼ -04A-210 | 4 |
| 39-29-5027 | 5566-02APB-210 | 39-29-6028 | 5566-02AGS-210 | 39-28-8020 | 5566-02A-210 | 2 |
| EDP NO. | ENG. NO | EDP NO. | ENG. NO | EDP NO. | ENG. NO | 極数 |
| 5566-NAPB-210 | | 5566-NAGS-210 | | 5566-NA-210 | | 極数 |

| | | | | | | |
|------------|------------|------------|------------|------------|----------|----|
| 39-29-5246 | 5566-24APB | 39-29-0243 | 5566-24AGS | 39-28-1243 | 5566-24A | 24 |
| ▲ -5226 | ▲ -22APB | ▲ -0223 | ▲ -22AGS | ▲ -1223 | ▲ -22A | 22 |
| -5206 | -20APB | -0203 | -20AGS | -1203 | -20A | 20 |
| -5186 | -18APB | -0183 | -18AGS | -1183 | -18A | 18 |
| -5166 | -16APB | -0163 | -16AGS | -1163 | -16A | 16 |
| -5146 | -14APB | -0143 | -14AGS | -1143 | -14A | 14 |
| -5126 | -12APB | -0123 | -12AGS | -1123 | -12A | 12 |
| -5106 | -10APB | -0103 | -10AGS | -1103 | -10A | 10 |
| -5086 | -08APB | -0083 | -08AGS | -1083 | -08A | 8 |
| -5066 | -06APB | -0063 | -06AGS | -1063 | -06A | 6 |
| ▼ -5046 | ▼ -04APB | ▼ -0043 | ▼ -04AGS | ▼ -1043 | ▼ -04A | 4 |
| 39-29-5026 | 5566-02APB | 39-29-0023 | 5566-02AGS | 39-28-1023 | 5566-02A | 2 |
| EDP NO. | ENG. NO | EDP NO. | ENG. NO | EDP NO. | ENG. NO | 極数 |
| 5566-NAPB | | 5566-NAGS | | 5566-NA | | 極数 |

| | | | | | | | | | |
|-------------------------|-------|--------|----------------------|-----------------|----------|-------------------------------------|--------------------|--------------------------|-------|
| 5566-NA*** | | | | 材料 MATERIAL | | MOLEX-JAPAN CO.,LTD. 日本モレックス株式会社 | | | |
| MODEL NO. | | | | 注記 2 参照 | | EDP. NO. 表 参照 | | | |
| 角度 ANGLE | ±3° | F | SEE SHEET 1 OF 2 | M.N K.T | '04/5/26 | 適用電線範囲 WIRE RANGE | —#— | ENG. NO. SHEET 2 OF 2 | REV F |
| 30 以上 OVER | ±0.3 | E | SEE SHEET 1 OF 2 | H.H | '90/6/8 | 被覆外径 INS. RANGE | | SD-5566-NA*** | |
| 10 以上 30 未満 OVER UNDER | ±0.25 | D | SEE SHEET 1 OF 2 | H.H Y.Y | '90/5/7 | DRAWN BY '90/5/7 | CHK'D BY '91/10/29 | TITLE 名称 | |
| 10 未満 UNDER | ±0.2 | 記号 LTR | 変更内容 REVISION RECORD | DR. CHK. | 日付 DATE | H.HIRAMOTO | M.FUKUSHIMA | NEW MINI FIT CONNECTOR | |
| 一般公差 GENERAL TOLERANCES | | | | REVISION RECORD | | APP'D BY '91/10/29 | 尺度 SCALE | HEADER ASS'Y -LEAD FREE- | |
| | | | | M.ENOMOTO | | | | | |